

# DC BRUSHLESS FAN



52557



E195760



**RoHS**  
compliant  
2002/95/EC

AXIAL FAN

## 40X40X10 III



### BEARING TYPE

[B] 2-Ball Bearing, 70K hours\* at 45 °C  
[F] Hyper Bearing, 40K hours\* at 45 °C  
\* Based on estimated MTBF

### LEAD WIRES

12" wire  
UL 1007, AWG #24/26

### TEMPERATURE

Storage: -40 ~ +70 °C  
Operating: -10 ~ +70 °C

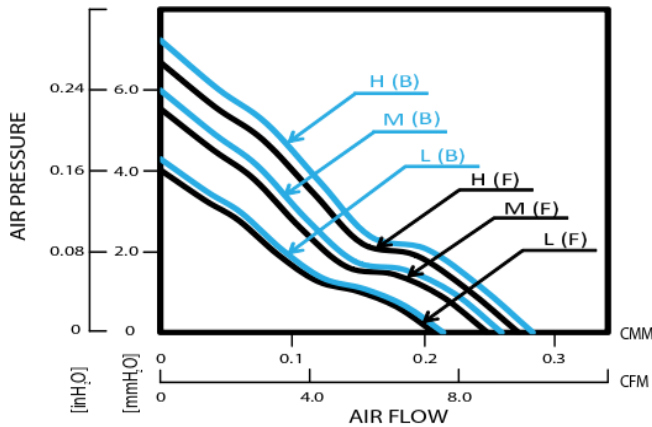
### OPTIONAL FEATURES

Tachometer  
Temperature Sensor  
PWM  
Locked Rotor  
IP55

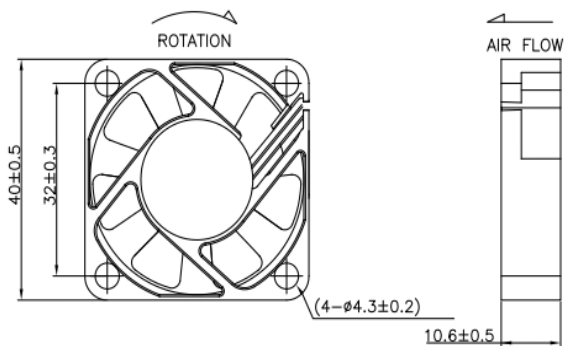
### MATERIAL

Impeller: PBT85% + FIBER15% (UL 94V-0)  
Frame: PBT70% + FIBER30% (UL 94V-0)

AIR PRESSURE vs. AIR FLOW



DIMENSIONS DRAWING



Units [mm]

Model Number	Rated Voltage	Operating Voltage	Rated Current	Actual Current	Rated Power	Rated Speed	Maximum Air Flow		Maximum Static Air Pressure		Noise Level
	[V]	[V]	[A]	[A]	[W]	[RPM]	[CMM]	[CFM]	[mmH <sub>2</sub> O]	[inH <sub>2</sub> O]	[dBA]
F-4010L05F III	5	4~5.75	0.12	0.08	0.40	6200	0.21	7.36	4.03	0.16	29.00
F-4010M05F III	5	4~5.75	0.18	0.13	0.65	7200	0.25	8.78	5.53	0.22	32.50
F-4010H05F III	5	4~5.75	0.24	0.18	0.90	7900	0.27	9.60	6.68	0.26	35.50
F-4010L12F III	12	6~13.8	0.07	0.06	0.66	6200	0.21	7.36	4.03	0.16	29.00
F-4010M12F III	12	6~13.8	0.09	0.07	0.84	7200	0.25	8.78	5.53	0.22	32.50
F-4010H12F III	12	6~13.8	0.13	0.10	1.20	7900	0.27	9.60	6.68	0.26	35.50
F-4010L05B III	5	4~5.75	0.12	0.08	0.40	6400	0.22	7.60	4.29	0.17	28.50
F-4010M05B III	5	4~5.75	0.18	0.13	0.65	7500	0.26	9.15	6.00	0.24	33.00
F-4010H05B III	5	4~5.75	0.24	0.16	0.80	8300	0.28	10.00	7.24	0.29	35.50
F-4010L12B III	12	6~13.8	0.07	0.06	0.66	6400	0.22	7.60	4.29	0.17	28.50
F-4010M12B III	12	6~13.8	0.09	0.07	0.84	7500	0.26	9.15	6.00	0.24	33.00
F-4010H12B III	12	6~13.8	0.13	0.10	1.20	8300	0.28	10.00	7.24	0.29	35.50

\*\* Specifications are subject to change without notice.

WWW.COFAN-USA.COM



Get quote >>

Springs Blvd, F  
33 | FAX (510)

Angic Global Solutions

1-888-872-0690

<https://www.AngicGlobal.com> [Sales@AngicGlobal.com](mailto:Sales@AngicGlobal.com)

# DC BRUSHLESS FAN



52557



E195760



**RoHS**  
compliant  
2002/95/EC

AXIAL FAN

## 40X40X10 IV



### BEARING TYPE

[B] 2-Ball Bearing, 70K hours\* at 45 °C  
[F] Hyper Bearing, 40K hours\* at 45 °C  
\* Based on estimated MTBF

### LEAD WIRES

12" wire  
UL 1007, AWG #24/26

### TEMPERATURE

Storage: -40 ~ +70 °C  
Operating: -10 ~ +70 °C

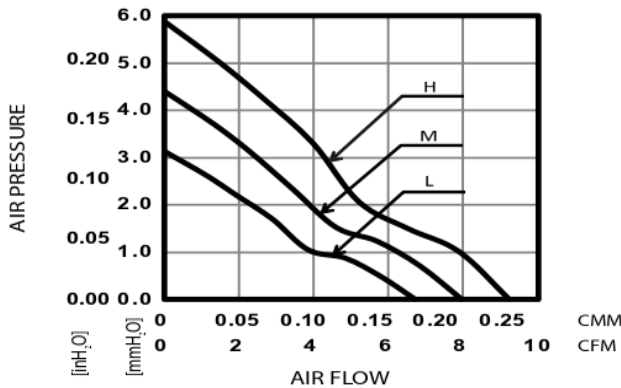
### OPTIONAL FEATURES

Tachometer  
Temperature Sensor  
PWM  
Locked Rotor  
IP55

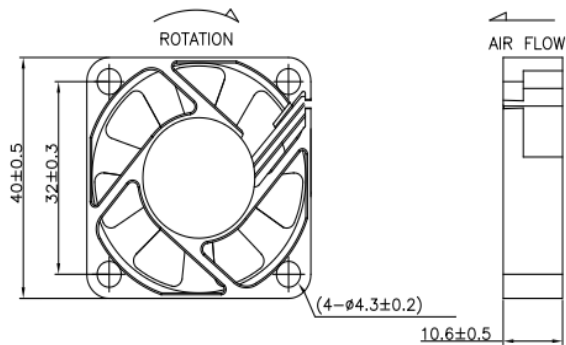
### MATERIAL

Impeller: PBT85% + FIBER15% (UL 94V-0)  
Frame: PBT70% + FIBER30% (UL 94V-0)

AIR PRESSURE vs. AIR FLOW



DIMENSIONS DRAWING



Units [mm]

Model Number	Rated Voltage	Operating Voltage	Rated Current	Actual Current	Rated Power	Rated Speed	Maximum Air Flow		Maximum Static Air Pressure		Noise Level
	[V]	[V]	[A]	[A]	[W]	[RPM]	[CMM]	[CFM]	[mmH <sub>2</sub> O]	[inH <sub>2</sub> O]	[dBA]
F-4010L05F IV	5	4~5.75	0.16	0.11	0.55	5600	0.19	6.72	3.14	0.12	26.50
F-4010M05F IV	5	4~5.75	0.19	0.16	0.80	6600	0.23	7.97	4.41	0.17	31.00
F-4010L12F IV	12	6~13.8	0.14	0.08	0.96	5600	0.19	6.72	3.14	0.12	26.50
F-4010M12F IV	12	6~13.8	0.16	0.10	1.20	6600	0.23	7.97	4.41	0.17	31.00
F-4010H12F IV	12	6~13.8	0.18	0.12	1.44	7700	0.26	9.22	5.88	0.23	35.50
F-4010L05B IV	5	4~5.75	0.16	0.11	0.55	5600	0.19	6.72	3.14	0.12	25.00
F-4010M05B IV	5	4~5.75	0.19	0.16	0.80	6600	0.23	7.97	4.41	0.17	29.50
F-4010L12B IV	12	6~13.8	0.14	0.08	0.96	5600	0.19	6.72	3.14	0.12	25.00
F-4010M12B IV	12	6~13.8	0.16	0.10	1.20	6600	0.23	7.97	4.41	0.17	29.50
F-4010H12B IV	12	6~13	0.18	0.12	1.44	7700	0.26	9.22	5.88	0.23	34.00

\*\* Specifications are subject to change without notice.

WWW.COFAN-USA.COM



Get quote >>

Springs Blvd, F  
33 | FAX (510)

Angic Global Solutions

1-888-872-0690

<https://www.AngicGlobal.com> [Sales@AngicGlobal.com](mailto:Sales@AngicGlobal.com)

# DC BRUSHLESS FAN



52557



E195760



**RoHS**  
compliant  
2002/95/EC

AXIAL FAN

## 40X40X28 III



### BEARING TYPE

[B] 2-Ball Bearing  
70K hours\* at 45 °C

\* Based on estimated MTBF

### LEAD WIRES

12" wire  
UL 1007, AWG #24/26

### TEMPERATURE

Storage: -40 ~ +70 °C  
Operating: -10 ~ +70 °C

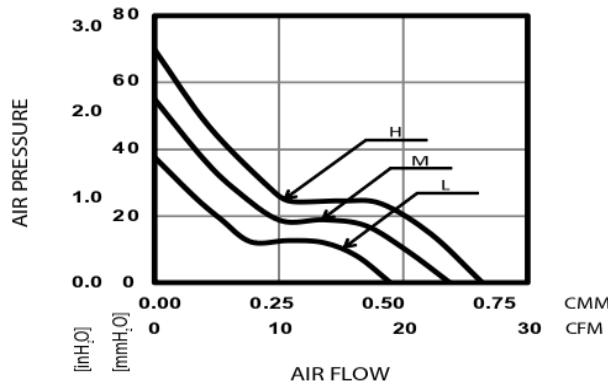
### MATERIAL

Impeller: PBT85% + FIBER15% (UL 94V-0)  
Frame: PBT70% + FIBER30% (UL 94V-0)

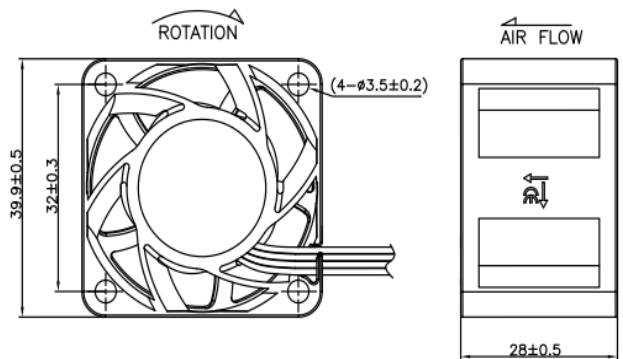
### OPTIONAL FEATURES

Tachometer  
Temperature Sensor  
PWM  
Locked Rotor  
IP55

AIR PRESSURE vs. AIR FLOW



DIMENSIONS DRAWING



Units [mm]

Model Number	Rated Voltage	Operating Voltage	Rated Current	Actual Current	Rated Power	Rated Speed	Maximum Air Flow		Maximum Static Air Pressure		Noise Level
	[V]	[V]	[A]	[A]	[W]	[RPM]	[CMM]	[CFM]	[mmH <sub>2</sub> O]	[inH <sub>2</sub> O]	[dBA]
F-4028L12B III	12	6~13.8	0.58	0.46	5.52	14600	0.54	19.00	37.53	1.48	52.50
F-4028M12B III	12	6~13.8	0.81	0.65	7.80	17600	0.67	23.80	54.98	2.16	56.50
F-4028H12B III	12	6~13.8	1.01	0.81	9.72	20000	0.75	26.40	69.89	2.75	59.50

\*\* Specifications are subject to change without notice.

WWW.COFAN-USA.COM



Get quote >>

Springs Blvd, F  
33 | FAX (510)

Angic Global Solutions

1-888-872-0690

<https://www.AngicGlobal.com> [Sales@AngicGlobal.com](mailto:Sales@AngicGlobal.com)

# DC BRUSHLESS FAN



52557



E195760



**RoHS**  
compliant  
2002/95/EC

AXIAL FAN

## 50X50X10 II



### BEARING TYPE

[B] 2-Ball Bearing, 70K hours\* at 45 °C  
[F] Hyper Bearing, 40K hours\* at 45 °C  
\* Based on estimated MTBF

### LEAD WIRES

12" wire  
UL 1007, AWG #24/26

### TEMPERATURE

Storage: -40 ~ +70 °C  
Operating: -10 ~ +70 °C

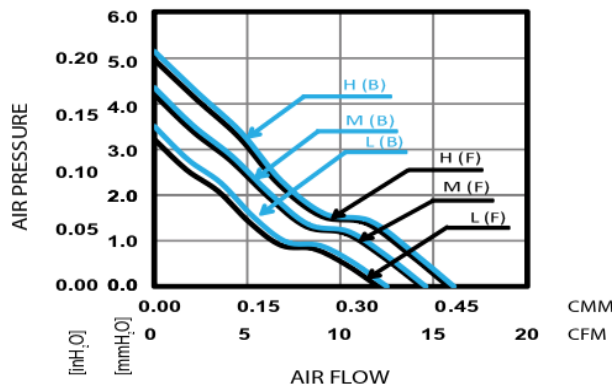
### OPTIONAL FEATURES

Tachometer  
Temperature Sensor  
PWM  
Locked Rotor  
IP55

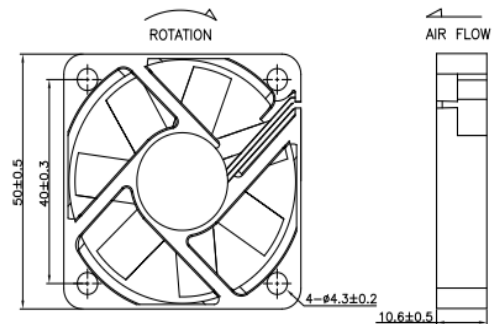
### MATERIAL

Impeller: PBT85% + FIBER15% (UL 94V-0)  
Frame: PBT70% + FIBER30% (UL 94V-0)

AIR PRESSURE vs. AIR FLOW



DIMENSIONS DRAWING



Units [mm]

Model Number	Rated Voltage	Operating Voltage	Rated Current	Actual Current	Rated Power	Rated Speed	Maximum Air Flow		Maximum Static Air Pressure		Noise Level
	[V]	[V]	[A]	[A]	[W]	[RPM]	[CMM]	[CFM]	[mmH <sub>2</sub> O]	[inH <sub>2</sub> O]	[dBA]
F-5010L05F II	5	4~5.75	0.14	0.10	0.50	4700	0.34	12.00	3.22	0.13	28.00
F-5010M05F II	5	4~5.75	0.22	0.16	0.80	5500	0.41	14.33	4.19	0.17	32.00
F-5010H05F II	5	4~5.75	0.28	0.21	1.05	6000	0.45	15.79	4.97	0.20	35.50
F-5010L12F II	12	6~13.8	0.09	0.07	0.84	4700	0.34	12.00	3.22	0.13	28.00
F-5010M12F II	12	6~13.8	0.11	0.09	1.08	5500	0.41	14.33	4.19	0.17	32.00
F-5010H12F II	12	6~13.8	0.14	0.11	1.32	6000	0.45	15.79	4.97	0.20	35.50
F-5010L05B II	5	4~5.75	0.14	0.10	0.50	4900	0.35	12.51	3.50	0.14	30.00
F-5010M05B II	5	4~5.75	0.22	0.16	0.80	5600	0.41	14.59	4.34	0.17	33.50
F-5010H05B II	5	4~5.75	0.28	0.21	1.05	6100	0.46	16.08	5.15	0.20	36.00
F-5010L12B II	12	6~13.8	0.09	0.07	0.84	4900	0.35	12.51	3.50	0.14	30.00
F-5010M12B II	12	6~13.8	0.11	0.09	1.08	5600	0.41	14.59	4.34	0.17	33.50
F-5010H12B II	12	6~13.8	0.14	0.11	1.32	6100	0.46	16.08	5.15	0.20	36.00

\*\* Specifications are subject to change without notice.

WWW.COFAN-USA.COM



Get quote >>

Springs Blvd, F  
33 | FAX (510)

Angic Global Solutions

1-888-872-0690

<https://www.AngicGlobal.com> [Sales@AngicGlobal.com](mailto:Sales@AngicGlobal.com)

# DC BRUSHLESS FAN



52557



E195760



**RoHS**  
compliant  
2002/95/EC

AXIAL FAN

## 50X50X10 III



### BEARING TYPE

[B] 2-Ball Bearing, 70K hours\* at 45 °C  
[F] Hyper Bearing, 40K hours\* at 45 °C  
\* Based on estimated MTBF

### LEAD WIRES

12" wire  
UL 1007, AWG #24/26

### TEMPERATURE

Storage: -40 ~ +70 °C  
Operating: -10 ~ +70 °C

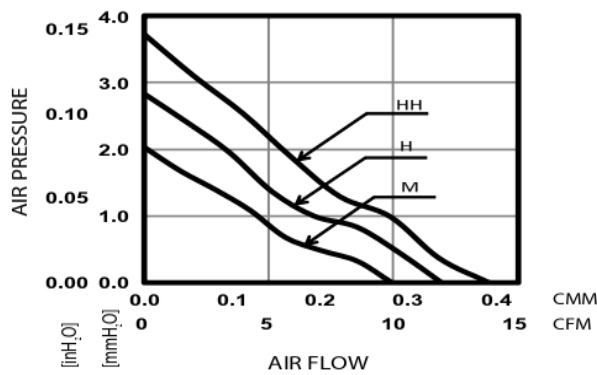
### OPTIONAL FEATURES

Tachometer  
Temperature Sensor  
PWM  
Locked Rotor  
IP55

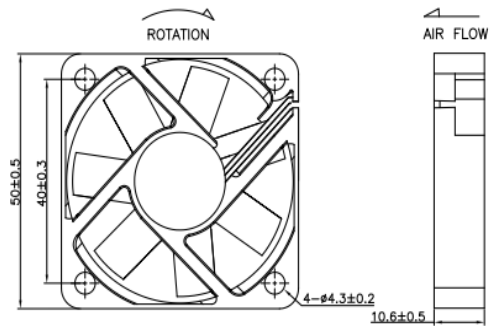
### MATERIAL

Impeller: PBT85% + FIBER15% (UL 94V-0)  
Frame: PBT70% + FIBER30% (UL 94V-0)

AIR PRESSURE vs. AIR FLOW



DIMENSIONS DRAWING



Units [mm]

Model Number	Rated Voltage	Operating Voltage	Rated Current	Actual Current	Rated Power	Rated Speed	Maximum Air Flow		Maximum Static Air Pressure		Noise Level
	[V]	[V]	[A]	[A]	[W]	[RPM]	[CMM]	[CFM]	[mmH <sub>2</sub> O]	[inH <sub>2</sub> O]	[dBA]
F-5010M05F III	5	4~5.75	0.24	0.11	0.55	4000	0.28	9.93	2.03	0.08	24.00
F-5010H05F III	5	4~5.75	0.30	0.18	0.90	4700	0.34	11.93	2.83	0.11	28.00
F-5010M12F III	12	6~13.8	0.11	0.08	0.96	4000	0.28	9.93	2.03	0.08	24.00
F-5010H12F III	12	6~13.8	0.14	0.10	1.20	4700	0.34	11.93	2.83	0.11	28.00
F-5010HH12F III	12	6~13.8	0.21	0.12	1.44	5400	0.39	13.85	3.72	0.15	31.50
F-5010M05B III	5	4~5.75	0.24	0.11	0.55	4000	0.28	9.93	2.03	0.08	23.50
F-5010H05B III	5	4~5.75	0.30	0.18	0.90	4700	0.34	11.93	2.83	0.11	28.50
F-5010M12B III	12	6~13.8	0.11	0.08	0.96	4000	0.28	9.93	2.03	0.08	23.50
F-5010H12B III	12	6~13.8	0.14	0.10	1.20	4700	0.34	11.93	2.83	0.11	28.50
F-5010HH12B III	12	6~13	0.21	0.12	1.44	5400	0.39	13.85	3.72	0.15	32.50

\*\* Specifications are subject to change without notice.

WWW.COFAN-USA.COM



Get quote >>

Springs Blvd, F  
33 | FAX (510)

Angic Global Solutions

1-888-872-0690

<https://www.AngicGlobal.com> [Sales@AngicGlobal.com](mailto:Sales@AngicGlobal.com)

# DC BRUSHLESS FAN



52557



E195760



**RoHS**  
compliant  
2002/95/EC

## 60X60X10 IV



AXIAL FAN

### BEARING TYPE

[B] 2-Ball Bearing, 70K hours\* at 45 °C

[F] Hyper Bearing, 40K hours\* at 45 °C

\* Based on estimated MTBF

### LEAD WIRES

12" wire  
UL 1007, AWG #24/26

### TEMPERATURE

Storage: -40 ~ +70 °C

Operating: -10 ~ +70 °C

### OPTIONAL FEATURES

Tachometer

Temperature Sensor

PWM

Locked Rotor

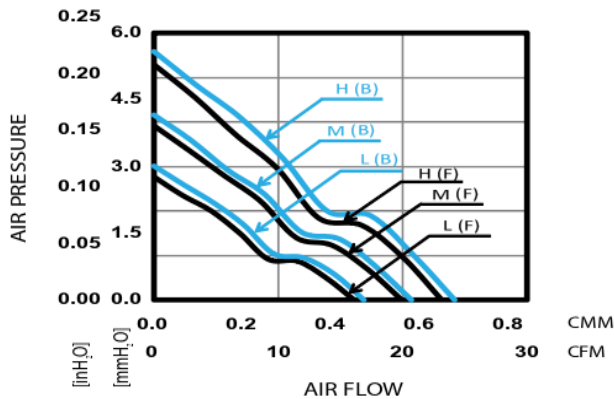
IP55

### MATERIAL

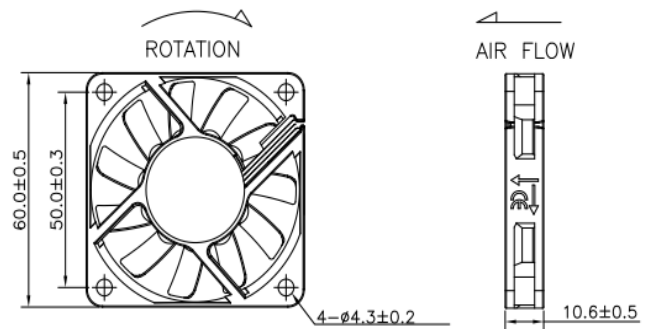
Impeller: PBT85% + FIBER15% (UL 94V-0)

Frame: PBT70% + FIBER30% (UL 94V-0)

AIR PRESSURE vs. AIR FLOW



DIMENSIONS DRAWING



Units [mm]

Model Number	Rated Voltage	Operating Voltage	Rated Current	Actual Current	Rated Power	Rated Speed	Maximum Air Flow		Maximum Static Air Pressure		Noise Level
	[V]	[V]	[A]	[A]	[W]	[RPM]	[CMM]	[CFM]	[mmH <sub>2</sub> O]	[inH <sub>2</sub> O]	[dBA]
F-6010L05F IV	5	4~5.75	0.23	0.18	0.90	3800	0.46	16.10	2.77	0.11	29.50
F-6010L12F IV	12	6~13.8	0.11	0.09	1.08	3800	0.46	16.10	2.77	0.11	29.50
F-6010M12F IV	12	6~13.8	0.18	0.14	1.68	4600	0.56	19.90	3.92	0.15	34.50
F-6010H12F IV	12	6~13.8	0.26	0.21	2.52	5300	0.66	23.20	5.28	0.21	38.50
F-6010L05B IV	5	4~5.75	0.23	0.18	0.90	4000	0.48	16.90	3.01	0.12	31.00
F-6010L12B IV	12	6~13.8	0.11	0.09	1.08	4000	0.48	16.90	3.01	0.12	31.00
F-6010M12B IV	12	6~13.8	0.18	0.15	1.80	4800	0.59	20.70	4.16	0.16	36.00
F-6010H12B IV	12	6~13.8	0.26	0.20	2.40	5500	0.69	24.20	5.58	0.22	40.00

\*\* Specifications are subject to change without notice.

WWW.COFAN-USA.COM



Get quote >>

Springs Blvd, F  
33 | FAX (510)

Angic Global Solutions

1-888-872-0690

<https://www.AngicGlobal.com> Sales@AngicGlobal.com

# DC BRUSHLESS FAN



52557



E195760



**RoHS**  
compliant  
2002/95/EC

## 60X60X10 V



### BEARING TYPE

[B] 2-Ball Bearing, 70K hours\* at 45 °C

[F] Hyper Bearing, 40K hours\* at 45 °C

\* Based on estimated MTBF

### LEAD WIRES

12" wire  
UL 1007, AWG #24/26

### TEMPERATURE

Storage: -40 ~ +70 °C

Operating: -10 ~ +70 °C

### MATERIAL

Impeller: PBT85% + FIBER15% (UL 94V-0)

Frame: PBT70% + FIBER30% (UL 94V-0)

### OPTIONAL FEATURES

Tachometer

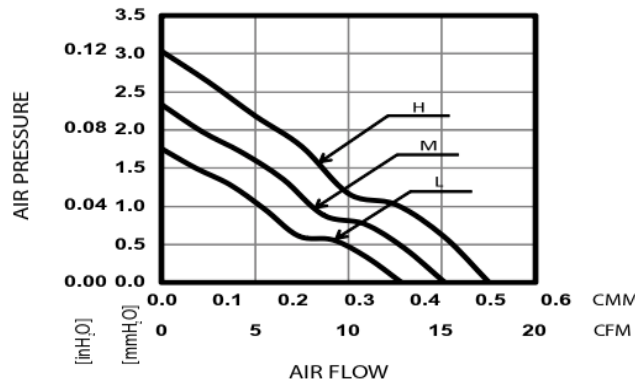
Temperature Sensor

PWM

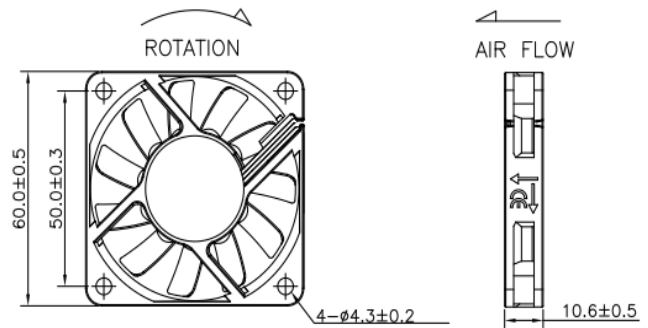
Locked Rotor

IP55

### AIR PRESSURE vs. AIR FLOW



### DIMENSIONS DRAWING



Units [mm]

Model Number	Rated Voltage	Operating Voltage	Rated Current	Actual Current	Rated Power	Rated Speed	Maximum Air Flow		Maximum Static Air Pressure		Noise Level
	[V]	[V]	[A]	[A]	[W]	[RPM]	[CMM]	[CFM]	[mmH <sub>2</sub> O]	[inH <sub>2</sub> O]	[dBA]
F-6010L05F V	5	4~5.75	0.35	0.11	0.55	3000	0.36	12.80	1.76	0.07	23.00
F-6010M05F V	5	4~5.75	0.45	0.18	0.90	3600	0.43	15.20	2.33	0.09	28.00
F-6010H05F V	5	4~5.75	0.55	0.30	1.50	4100	0.50	17.50	3.04	0.12	31.50
F-6010M12F V	12	6~13.8	0.20	0.11	1.32	3600	0.43	15.20	2.33	0.09	28.00
F-6010H12F V	12	6~13.8	0.25	0.14	1.68	4100	0.50	17.50	3.04	0.12	31.50
F-6010L05B V	5	4~5.75	0.35	0.11	0.55	3100	0.38	13.50	1.87	0.07	25.50
F-6010M05B V	5	4~5.75	0.45	0.18	0.90	3700	0.45	15.90	2.47	0.10	29.00
F-6010H05B V	5	4~5.75	0.55	0.30	1.50	4200	0.51	18.10	3.14	0.12	32.50
F-6010M12B V	12	6~13.8	0.20	0.11	1.32	3700	0.45	15.90	2.47	0.10	29.00
F-6010H12B V	12	6~13.8	0.25	0.14	1.68	4200	0.51	18.10	3.14	0.12	32.50

\*\* Specifications are subject to change without notice.

WWW.COFAN-USA.COM



Get quote >>

Springs Blvd, F  
33 | FAX (510)

Angic Global Solutions

1-888-872-0690

<https://www.AngicGlobal.com> Sales@AngicGlobal.com

# DC BRUSHLESS FAN



52557



E195760



**RoHS**  
compliant  
2002/95/EC

## 60X60X15 III



AXIAL FAN

### BEARING TYPE

[B] 2-Ball Bearing, 70K hours\* at 45 °C

[F] Hyper Bearing, 40K hours\* at 45 °C

\* Based on estimated MTBF

### LEAD WIRES

12" wire  
UL 1007, AWG #24/26

### TEMPERATURE

Storage: -40 ~ +70 °C

Operating: -10 ~ +70 °C

### MATERIAL

Impeller: PBT85% + FIBER15% (UL 94V-0)

Frame: PBT70% + FIBER30% (UL 94V-0)

### OPTIONAL FEATURES

Tachometer

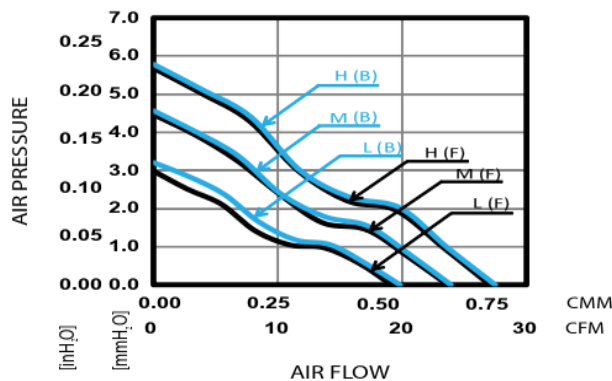
Temperature Sensor

PWM

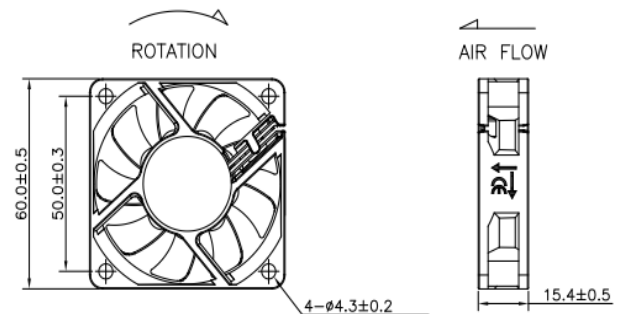
Locked Rotor

IP55

### AIR PRESSURE vs. AIR FLOW



### DIMENSIONS DRAWING



Units [mm]

Model Number	Rated Voltage	Operating Voltage	Rated Current	Actual Current	Rated Power	Rated Speed	Maximum Air Flow		Maximum Static Air Pressure		Noise Level
	[V]	[V]	[A]	[A]	[W]	[RPM]	[CMM]	[CFM]	[mmH <sub>2</sub> O]	[inH <sub>2</sub> O]	[dBA]
F-6015L05F III	5	4.5~5.5	0.22	0.17	0.85	3600	0.54	19.20	2.99	0.12	27.50
F-6015M05F III	5	4.5~5.5	0.36	0.28	1.40	4400	0.67	23.70	4.47	0.18	32.50
F-6015L12F III	12	6~13.8	0.13	0.10	1.20	3600	0.54	19.20	2.99	0.12	27.50
F-6015M12F III	12	6~13.8	0.17	0.13	1.56	4400	0.67	23.70	4.47	0.18	32.50
F-6015H12F III	12	6~13.8	0.22	0.17	2.04	5000	0.77	27.10	5.67	0.22	36.00
F-6015L05B III	5	4.5~5.5	0.22	0.17	0.85	3700	0.56	19.80	3.20	0.13	28.50
F-6015M05B III	5	4.5~5.5	0.36	0.29	1.45	4500	0.68	24.00	4.57	0.18	34.00
F-6015L12B III	12	6~13.8	0.13	0.08	0.96	3700	0.56	19.80	3.20	0.13	28.50
F-6015M12B III	12	6~13.8	0.17	0.13	1.56	4500	0.68	24.00	4.57	0.18	34.00
F-6015H12B III	12	6~13.8	0.22	0.17	2.04	5100	0.78	27.50	5.78	0.23	37.50

\*\* Specifications are subject to change without notice.

WWW.COFAN-USA.COM



Get quote >>

Springs Blvd, F  
33 | FAX (510)

Angic Global Solutions

1-888-872-0690

<https://www.AngicGlobal.com> [Sales@AngicGlobal.com](mailto:Sales@AngicGlobal.com)

# DC BRUSHLESS FAN



52557



E195760



**RoHS**  
compliant  
2002/95/EC

## 60X60X15 IV



AXIAL FAN

### BEARING TYPE

[B] 2-Ball Bearing, 70K hours\* at 45 °C  
[F] Hyper Bearing, 40K hours\* at 45 °C  
\* Based on estimated MTBF

### LEAD WIRES

12" wire  
UL 1007, AWG #24/26

### TEMPERATURE

Storage: -40 ~ +70 °C  
Operating: -10 ~ +70 °C

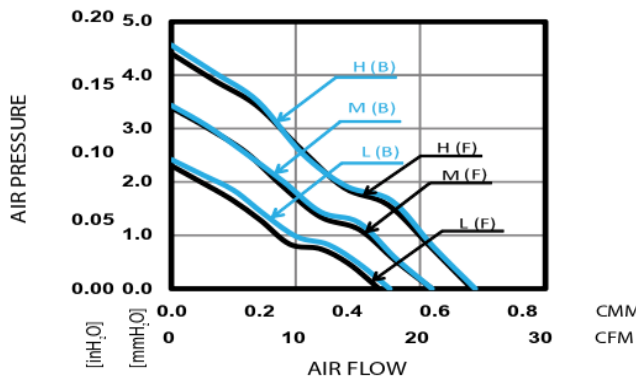
### OPTIONAL FEATURES

Tachometer  
Temperature Sensor  
PWM  
Locked Rotor  
IP55

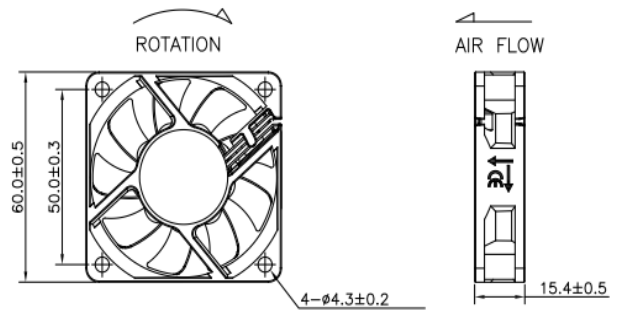
### MATERIAL

Impeller: PBT85% + FIBER15% (UL 94V-0)  
Frame: PBT70% + FIBER30% (UL 94V-0)

AIR PRESSURE vs. AIR FLOW



DIMENSIONS DRAWING



Units [mm]

Model Number	Rated Voltage	Operating Voltage	Rated Current	Actual Current	Rated Power	Rated Speed	Maximum Air Flow		Maximum Static Air Pressure		Noise Level
	[V]	[V]	[A]	[A]	[W]	[RPM]	[CMM]	[CFM]	[mmH <sub>2</sub> O]	[inH <sub>2</sub> O]	[dBA]
F-6015L05F IV	5	4~5.75	0.55	0.16	0.80	3200	0.47	16.60	2.31	0.09	24.50
F-6015M05F IV	5	4~5.75	0.70	0.22	1.10	3900	0.59	20.90	3.39	0.13	30.00
F-6015H05F IV	5	4~5.75	0.85	0.35	1.75	4500	0.68	24.10	4.41	0.17	33.00
F-6015L12F IV	12	6~13.8	0.15	0.08	0.96	3200	0.47	16.60	2.31	0.09	24.50
F-6015M12F IV	12	6~13.8	0.25	0.12	1.44	3900	0.59	20.90	3.39	0.13	30.00
F-6015H12F IV	12	6~13.8	0.35	0.16	1.92	4500	0.68	24.10	4.41	0.17	33.00
F-6015H24F IV	24	12~27.6	0.20	0.09	2.16	4500	0.68	24.10	4.41	0.17	33.00
F-6015L05B IV	5	4~5.75	0.55	0.16	0.80	3300	0.50	17.50	2.42	0.10	24.50
F-6015M05B IV	5	4~5.75	0.70	0.22	1.10	4000	0.59	20.90	3.43	0.14	30.50
F-6015H05B IV	5	4~5.75	0.85	0.35	1.75	4600	0.69	24.40	4.56	0.18	34.50
F-6015L12B IV	12	6~13.8	0.15	0.08	0.96	3300	0.50	17.50	2.42	0.10	24.50
F-6015M12B IV	12	6~13.8	0.25	0.12	1.44	4000	0.59	20.90	3.43	0.14	30.50
F-6015H12B IV	12	6~13.8	0.35	0.16	1.92	4600	0.69	24.40	4.56	0.18	34.50
F-6015H24B IV	24	12~27.6	0.20	0.09	2.16	4600	0.69	24.40	4.56	0.18	34.50

\*\* Specifications are subject to change without notice.

WWW.COFAN-USA.COM



Get quote >>

Springs Blvd, F  
33 | FAX (510)

Angic Global Solutions

1-888-872-0690

<https://www.AngicGlobal.com> [Sales@AngicGlobal.com](mailto:Sales@AngicGlobal.com)

# DC BRUSHLESS FAN



52557



E195760



AXIAL FAN

## 60X60X25 II



### BEARING TYPE

[B] 2-Ball Bearing, 70K hours\* at 45 °C  
 [F] Hyper Bearing, 40K hours\* at 45 °C  
 \* Based on estimated MTBF

### LEAD WIRES

12" wire  
 UL 1007, AWG #24/26

### TEMPERATURE

Storage: -40 ~ +70 °C  
 Operating: -10 ~ +70 °C

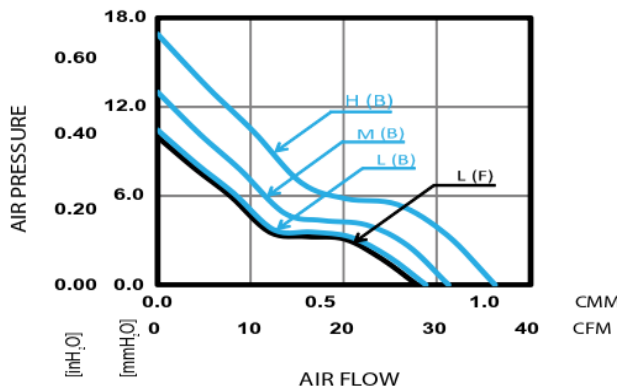
### OPTIONAL FEATURES

Tachometer  
 Temperature Sensor  
 PWM  
 Locked Rotor  
 IP55

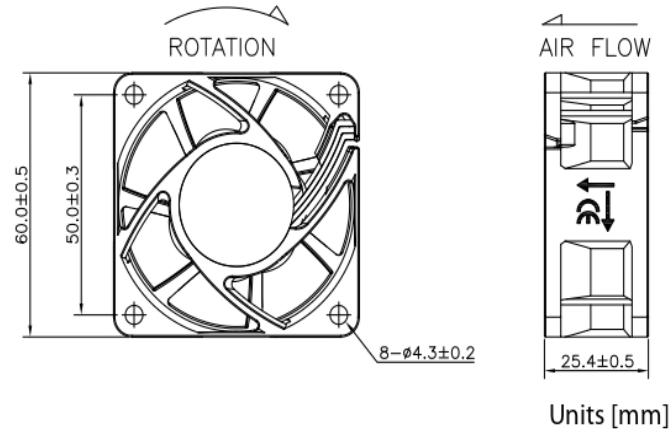
### MATERIAL

Impeller: PBT85% + FIBER15% (UL 94V-0)  
 Frame: PBT70% + FIBER30% (UL 94V-0)

AIR PRESSURE vs. AIR FLOW



DIMENSIONS DRAWING



Units [mm]

Model Number	Rated Voltage	Operating Voltage	Rated Current	Actual Current	Rated Power	Rated Speed	Maximum Air Flow		Maximum Static Air Pressure		Noise Level
	[V]	[V]	[A]	[A]	[W]	[RPM]	[CMM]	[CFM]	[mmH <sub>2</sub> O]	[inH <sub>2</sub> O]	[dBA]
F-6025L12F II	12	6~13.8	0.24	0.19	2.28	5400	0.79	27.90	9.96	0.39	40.00
F-6025L12B II	12	6~13.8	0.24	0.17	2.04	5500	0.82	28.80	10.44	0.41	41.00
F-6025M12B II	12	6~13.8	0.27	0.21	2.52	6100	0.89	31.20	12.98	0.51	43.00
F-6025H12B II	12	6~13.2	0.40	0.32	3.84	7000	1.03	36.30	16.91	0.67	48.00

\*\* Specifications are subject to change without notice.

WWW.COFAN-USA.COM



Get quote >>

1333 Springs Blvd, Folsom, CA 95630 | FAX (510) 937-1333 | Angic Global Solutions  
 1-888-872-0690  
<https://www.AngicGlobal.com> | [Sales@AngicGlobal.com](mailto:Sales@AngicGlobal.com)

# DC BRUSHLESS FAN



52557



E195760



**RoHS**  
compliant  
2002/95/EC

AXIAL FAN

## 60X60X25 III



### BEARING TYPE

[B] 2-Ball Bearing  
70K hours\* at 45 °C

\* Based on estimated MTBF

### LEAD WIRES

12" wire  
UL 1007, AWG #24/26

### TEMPERATURE

Storage: -40 ~ +70 °C  
Operating: -10 ~ +70 °C

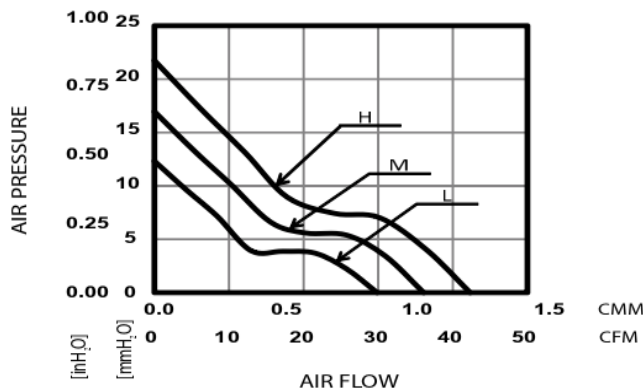
### MATERIAL

Impeller: PBT85% + FIBER15% (UL 94V-0)  
Frame: PBT70% + FIBER30% (UL 94V-0)

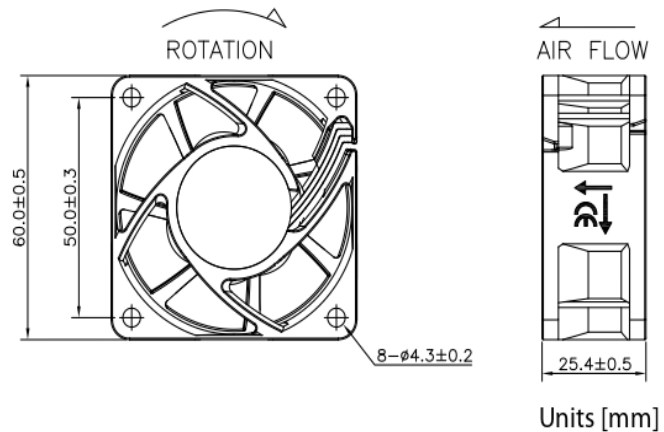
### OPTIONAL FEATURES

Tachometer  
Temperature Sensor  
PWM  
Locked Rotor  
IP55

AIR PRESSURE vs. AIR FLOW



DIMENSIONS DRAWING



Model Number	Rated Voltage	Operating Voltage	Rated Current	Actual Current	Rated Power	Rated Speed	Maximum Air Flow		Maximum Static Air Pressure		Noise Level
	[V]	[V]	[A]	[A]	[W]	[RPM]	[CMM]	[CFM]	[mmH <sub>2</sub> O]	[inH <sub>2</sub> O]	[dBA]
F-6025L12B III	12	6~13.8	0.27	0.21	2.52	5800	0.85	29.90	12.30	0.48	41.50
F-6025M12B III	12	6~13.8	0.40	0.32	3.84	7000	1.02	36.10	17.00	0.67	46.00
F-6025H12B III	12	6~13.8	0.60	0.48	5.76	8000	1.20	42.30	21.78	0.86	50.50
F-6025L24B III	24	16~27.6	0.15	0.11	2.64	5800	0.85	29.90	12.30	0.48	41.50
F-6025M24B III	24	16~27.6	0.23	0.16	3.84	7000	1.02	36.10	17.00	0.67	46.00
F-6025H24B III	24	16~27.6	0.33	0.22	5.28	8000	1.20	42.30	21.78	0.86	50.50
F-6025L48B III	48	30~55.2	0.10	0.06	2.88	5800	0.85	29.90	12.30	0.48	41.50
F-6025M48B III	48	30~55.2	0.16	0.10	4.80	7000	1.02	36.10	17.00	0.67	46.00
F-6025H48B III	48	30~55.2	0.23	0.14	6.72	8000	1.20	42.30	21.78	0.86	50.50

\*\* Specifications are subject to change without notice.

WWW.COFAN-USA.COM



Get quote >>

Springs Blvd, F  
33 | FAX (510)

Angic Global Solutions

1-888-872-0690

<https://www.AngicGlobal.com> [Sales@AngicGlobal.com](mailto:Sales@AngicGlobal.com)

# DC BRUSHLESS FAN



52557



E195760



**RoHS**  
compliant  
2002/95/EC

## 60X60X25 IV



AXIAL FAN

### BEARING TYPE

[B] 2-Ball Bearing, 70K hours\* at 45 °C  
[F] Hyper Bearing, 40K hours\* at 45 °C  
\* Based on estimated MTBF

### LEAD WIRES

12" wire  
UL 1007, AWG #24/26

### TEMPERATURE

Storage: -40 ~ +70 °C  
Operating: -10 ~ +70 °C

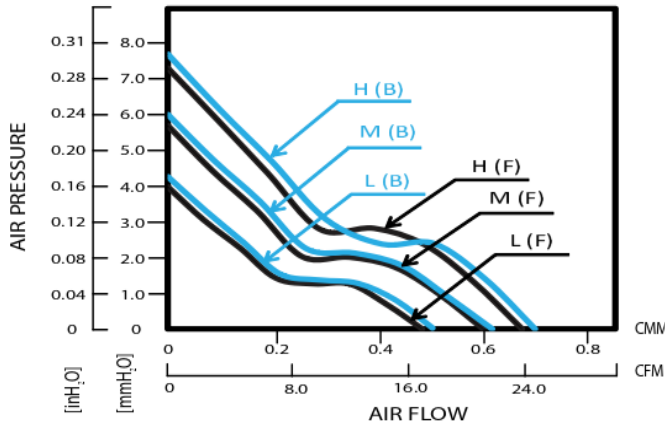
### OPTIONAL FEATURES

Tachometer  
Temperature Sensor  
PWM  
Locked Rotor  
IP55

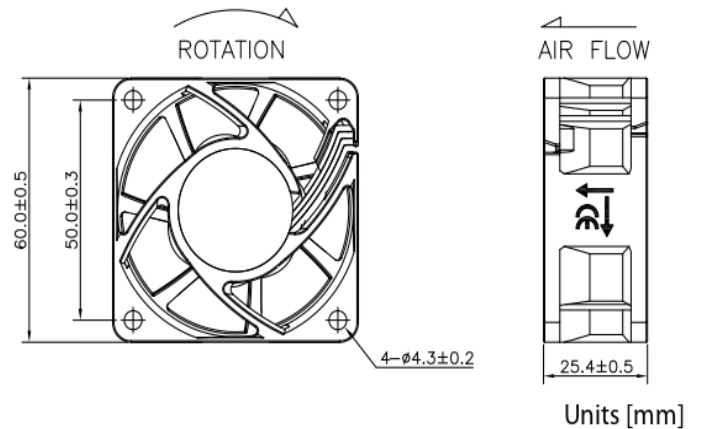
### MATERIAL

Impeller: PBT85% + FIBER15% (UL 94V-0)  
Frame: PBT70% + FIBER30% (UL 94V-0)

AIR PRESSURE vs. AIR FLOW



DIMENSIONS DRAWING



Model Number	Rated Voltage	Operating Voltage	Rated Current	Actual Current	Rated Power	Rated Speed	Maximum Air Flow		Maximum Static Air Pressure		Noise Level
	[V]	[V]	[A]	[A]	[W]	[RPM]	[CMM]	[CFM]	[mmH <sub>2</sub> O]	[inH <sub>2</sub> O]	[dBA]
F-6025L12F IV	12	6~13.8	0.15	0.08	0.96	3300	0.49	17.10	3.99	0.16	26.00
F-6025M12F IV	12	6~13.8	0.20	0.11	1.32	4000	0.60	21.20	5.73	0.23	30.50
F-6025H12F IV	12	6~13.8	0.25	0.14	1.68	4600	0.67	23.80	7.32	0.29	34.00
F-6025L24F IV	24	12~27.6	0.12	0.06	1.44	3300	0.49	17.10	3.99	0.16	26.00
F-6025M24F IV	24	12~27.6	0.14	0.07	1.68	4000	0.60	21.20	5.73	0.23	30.50
F-6025H24F IV	24	12~27.6	0.16	0.08	1.92	4600	0.67	23.80	7.32	0.29	34.00
F-6025L12B IV	12	6~13.8	0.15	0.08	0.96	3500	0.50	17.80	4.28	0.17	28.00
F-6025M12B IV	12	6~13.8	0.20	0.10	1.20	4200	0.62	21.80	6.04	0.24	32.50
F-6025H12B IV	12	6~13.8	0.25	0.13	1.56	4800	0.70	24.60	7.73	0.30	35.50
F-6025L24B IV	24	12~27.6	0.12	0.05	1.20	3500	0.50	17.80	4.28	0.17	28.00
F-6025M24B IV	24	12~27.6	0.14	0.06	1.44	4200	0.62	21.80	6.04	0.24	32.50
F-6025H24B IV	24	12~27.6	0.16	0.07	1.68	4800	0.70	24.60	7.73	0.30	35.50

\*\* Specifications are subject to change without notice.

WWW.COFAN-USA.COM



Get quote >>

Springs Blvd, F Angic Global Solutions 1-888-872-0690  
33 | FAX (510) https://www.AngicGlobal.com Sales@AngicGlobal.com

# DC BRUSHLESS FAN



52557



E195760



**RoHS**  
compliant  
2002/95/EC

AXIAL FAN

## 70X70X10 IV



### BEARING TYPE

[B] 2-Ball Bearing, 70K hours\* at 45 °C  
[F] Hyper Bearing, 40K hours\* at 45 °C  
\* Based on estimated MTBF

### LEAD WIRES

12" wire  
UL 1007, AWG #24/26

### TEMPERATURE

Storage: -40 ~ +70 °C  
Operating: -10 ~ +70 °C

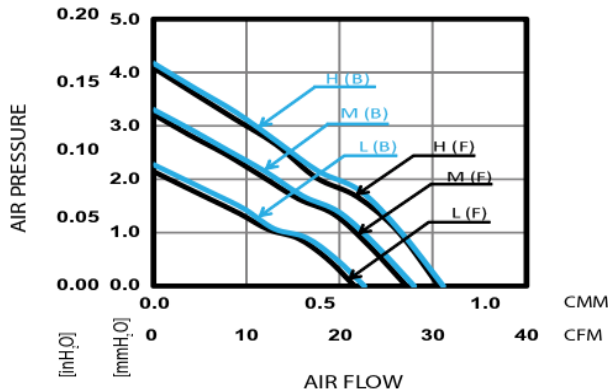
### OPTIONAL FEATURES

Tachometer  
Temperature Sensor  
PWM  
Locked Rotor  
IP55

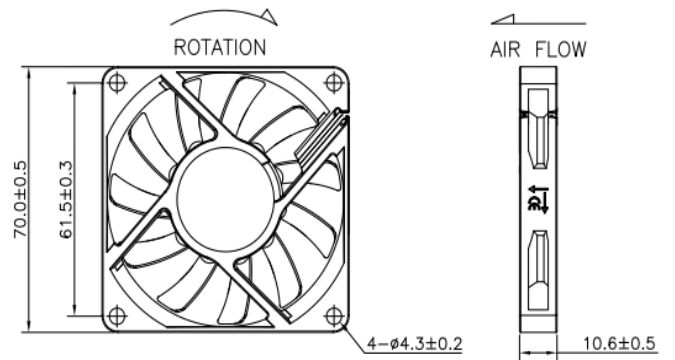
### MATERIAL

Impeller: PBT85% + FIBER15% (UL 94V-0)  
Frame: PBT70% + FIBER30% (UL 94V-0)

AIR PRESSURE vs. AIR FLOW



DIMENSIONS DRAWING



Units [mm]

Model Number	Rated Voltage	Operating Voltage	Rated Current	Actual Current	Rated Power	Rated Speed	Maximum Air Flow		Maximum Static Air Pressure		Noise Level
	[V]	[V]	[A]	[A]	[W]	[RPM]	[CMM]	[CFM]	[mmH <sub>2</sub> O]	[inH <sub>2</sub> O]	[dBA]
F-7010L05F IV	5	4.5~5.5	0.23	0.18	0.90	3100	0.61	21.60	2.15	0.08	28.00
F-7010M05F IV	5	4.5~5.5	0.39	0.31	1.55	3800	0.77	27.20	3.21	0.13	34.50
F-7010L12F IV	12	6~13.8	0.15	0.11	1.32	3100	0.61	21.60	2.15	0.08	28.00
F-7010M12F IV	12	6~13.8	0.20	0.16	1.92	3800	0.77	27.20	3.21	0.13	34.50
F-7010H12F IV	12	6~13.8	0.27	0.22	2.64	4300	0.87	30.70	4.09	0.16	38.00
F-7010L05B IV	5	4.5~5.5	0.23	0.18	0.90	3200	0.64	22.70	2.28	0.09	30.00
F-7010M05B IV	5	4.5~5.5	0.39	0.30	1.50	3900	0.79	28.00	3.31	0.13	36.00
F-7010L12B IV	12	6~13.8	0.15	0.12	1.44	3200	0.64	22.70	2.28	0.09	30.00
F-7010M12B IV	12	6~13.8	0.20	0.16	1.92	3900	0.79	28.00	3.31	0.13	36.00
F-7010H12B IV	12	6~13.8	0.27	0.22	2.64	4400	0.88	31.10	4.17	0.16	39.50

\*\* Specifications are subject to change without notice.

WWW.COFAN-USA.COM



Get quote >>

Springs Blvd, F  
33 | FAX (510)

Angic Global Solutions

1-888-872-0690

<https://www.AngicGlobal.com> [Sales@AngicGlobal.com](mailto:Sales@AngicGlobal.com)

# DC BRUSHLESS FAN



52557



E195760



**RoHS**  
compliant  
2002/95/EC

AXIAL FAN

## 70X70X10 V



### BEARING TYPE

[B] 2-Ball Bearing, 70K hours\* at 45 °C  
[F] Hyper Bearing, 40K hours\* at 45 °C  
\* Based on estimated MTBF

### LEAD WIRES

12" wire  
UL 1007, AWG #24/26

### TEMPERATURE

Storage: -40 ~ +70 °C  
Operating: -10 ~ +70 °C

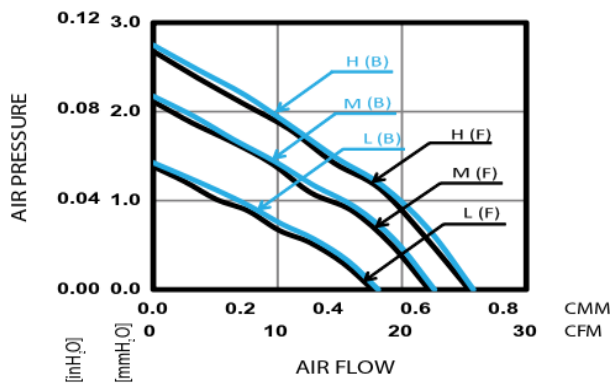
### OPTIONAL FEATURES

Tachometer  
Temperature Sensor  
PWM  
Locked Rotor  
IP55

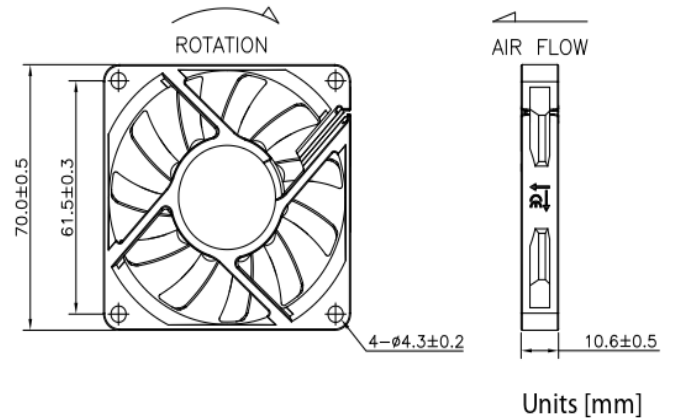
### MATERIAL

Impeller: PBT85% + FIBER15% (UL 94V-0)  
Frame: PBT70% + FIBER30% (UL 94V-0)

AIR PRESSURE vs. AIR FLOW



DIMENSIONS DRAWING



Model Number	Rated Voltage	Operating Voltage	Rated Current	Actual Current	Rated Power	Rated Speed	Maximum Air Flow		Maximum Static Air Pressure		Noise Level
	[V]	[V]	[A]	[A]	[W]	[RPM]	[CMM]	[CFM]	[mmH <sub>2</sub> O]	[inH <sub>2</sub> O]	[dBA]
F-7010L05FV	5	4~5.75	0.20	0.16	0.80	2500	0.50	17.70	1.38	0.06	24.00
F-7010M05FV	5	4~5.75	0.34	0.26	1.30	3100	0.63	22.20	2.11	0.08	29.50
F-7010H05FV	5	4~5.75	0.43	0.34	1.70	3500	0.72	25.40	2.68	0.11	32.50
F-7010L12FV	12	6~13.8	0.20	0.08	0.96	2500	0.50	17.70	1.38	0.06	24.00
F-7010M12FV	12	6~13.8	0.25	0.12	1.44	3100	0.63	22.20	2.11	0.08	29.50
F-7010H12FV	12	6~13.8	0.30	0.19	2.28	3500	0.72	25.40	2.68	0.11	32.50
F-7010L05BV	5	4~5.75	0.20	0.16	0.80	2600	0.51	18.10	1.42	0.06	24.50
F-7010M05BV	5	4~5.75	0.34	0.26	1.30	3200	0.64	22.60	2.18	0.09	30.50
F-7010H05BV	5	4~5.75	0.43	0.34	1.70	3600	0.73	25.80	2.75	0.11	33.50
F-7010L12BV	12	6~13.8	0.20	0.08	0.96	2600	0.51	18.10	1.42	0.06	24.50
F-7010M12BV	12	6~13.8	0.25	0.12	1.44	3200	0.64	22.60	2.18	0.09	30.50
F-7010H12BV	12	6~13.8	0.30	0.19	2.28	3600	0.73	25.80	2.75	0.11	33.50

\*\* Specifications are subject to change without notice.

WWW.COFAN-USA.COM



Get quote >>

Springs Blvd, F  
33 | FAX (510)

Angic Global Solutions

1-888-872-0690

<https://www.AngicGlobal.com> [Sales@AngicGlobal.com](mailto:Sales@AngicGlobal.com)

# DC BRUSHLESS FAN



52557



E195760



**RoHS**  
compliant  
2002/95/EC

AXIAL FAN

## 80X80X10 II



### BEARING TYPE

[B] 2-Ball Bearing, 70K hours\* at 45 °C

[F] Hyper Bearing, 40K hours\* at 45 °C

\* Based on estimated MTBF

### LEAD WIRES

12" wire  
UL 1007, AWG #24/26

### TEMPERATURE

Storage: -40 ~ +70 °C

Operating: -10 ~ +70 °C

### OPTIONAL FEATURES

Tachometer

Temperature Sensor

PWM

Locked Rotor

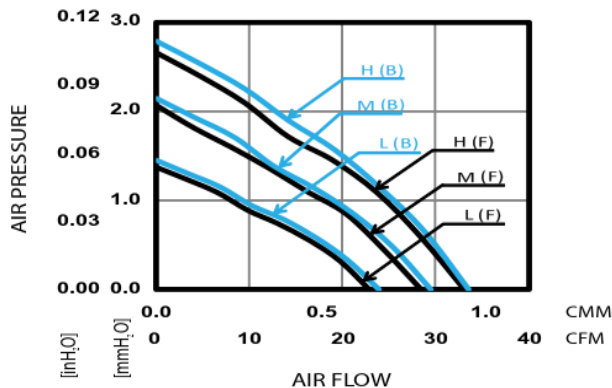
IP55

### MATERIAL

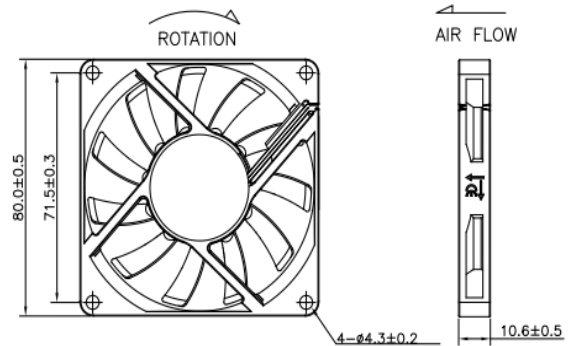
Impeller: PBT85% + FIBER15% (UL 94V-0)

Frame: PBT70% + FIBER30% (UL 94V-0)

AIR PRESSURE vs. AIR FLOW



DIMENSIONS DRAWING



Units [mm]

Model Number	Rated Voltage	Operating Voltage	Rated Current	Actual Current	Rated Power	Rated Speed	Maximum Air Flow		Maximum Static Air Pressure		Noise Level
	[V]	[V]	[A]	[A]	[W]	[RPM]	[CMM]	[CFM]	[mmH <sub>2</sub> O]	[inH <sub>2</sub> O]	[dBA]
F-8010L05F I	5	4.5~5.5	0.22	0.17	0.85	2300	0.65	22.90	1.37	0.05	26.00
F-8010M05F I	5	4.5~5.5	0.35	0.28	1.40	2800	0.81	28.50	2.07	0.08	32.00
F-8010L12F I	12	6~13.8	0.12	0.09	1.08	2300	0.65	22.90	1.37	0.05	26.00
F-8010M12F I	12	6~13.8	0.16	0.13	1.56	2800	0.81	28.50	2.07	0.08	32.00
F-8010H12F I	12	6~13.8	0.24	0.19	2.28	3200	0.94	33.10	2.66	0.11	35.50
F-8010L05B I	5	4.5~5.5	0.22	0.16	0.80	2400	0.68	23.90	1.46	0.06	28.00
F-8010M05B I	5	4.5~5.5	0.35	0.28	1.40	2900	0.83	29.50	2.15	0.09	33.00
F-8010L12B I	12	6~13.8	0.12	0.09	1.08	2400	0.68	23.90	1.46	0.06	28.00
F-8010M12B I	12	6~13.8	0.16	0.12	1.44	2900	0.83	29.50	2.15	0.09	33.00
F-8010H12B I	12	6~13.8	0.24	0.16	1.92	3300	0.95	33.60	2.79	0.11	36.00

\*\* Specifications are subject to change without notice.

WWW.COFAN-USA.COM



Get quote >>

Springs Blvd, F  
33 | FAX (510)

Angic Global Solutions

1-888-872-0690

<https://www.AngicGlobal.com> [Sales@AngicGlobal.com](mailto:Sales@AngicGlobal.com)

# DC BRUSHLESS FAN



52557



E195760



**RoHS**  
compliant  
2002/95/EC

## 80X80X10 III



AXIAL FAN

### BEARING TYPE

[B] 2-Ball Bearing, 70K hours\* at 45 °C  
[F] Hyper Bearing, 40K hours\* at 45 °C  
\* Based on estimated MTBF

### LEAD WIRES

12" wire  
UL 1007, AWG #24/26

### TEMPERATURE

Storage: -40 ~ +70 °C  
Operating: -10 ~ +70 °C

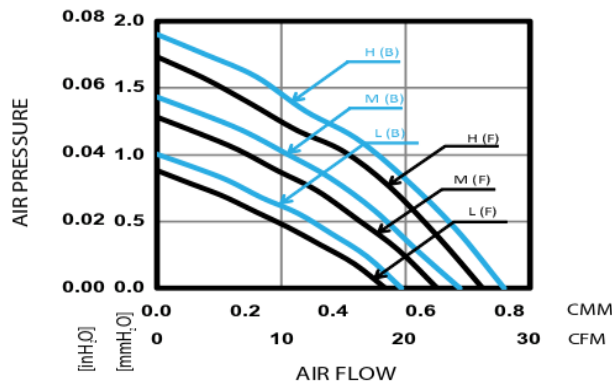
### OPTIONAL FEATURES

Tachometer  
Temperature Sensor  
PWM  
Locked Rotor  
IP55

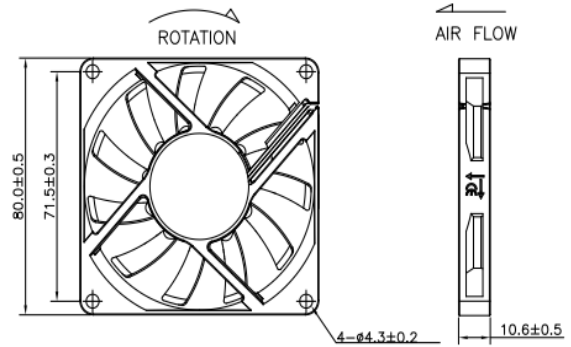
### MATERIAL

Impeller: PBT85% + FIBER15% (UL 94V-0)  
Frame: PBT70% + FIBER30% (UL 94V-0)

AIR PRESSURE vs. AIR FLOW



DIMENSIONS DRAWING



Units [mm]

Model Number	Rated Voltage	Operating Voltage	Rated Current	Actual Current	Rated Power	Rated Speed	Maximum Air Flow		Maximum Static Air Pressure		Noise Level
	[V]	[V]	[A]	[A]	[W]	[RPM]	[CMM]	[CFM]	[mmH <sub>2</sub> O]	[inH <sub>2</sub> O]	[dBA]
F-8010L05F II	5	4~5.75	0.15	0.12	0.60	1900	0.52	18.40	0.88	0.04	22.00
F-8010M05F II	5	4~5.75	0.28	0.22	1.10	2300	0.64	22.60	1.28	0.05	26.50
F-8010H05F II	5	4~5.75	0.50	0.40	2.00	2700	0.74	26.20	1.73	0.07	30.00
F-8010L12F II	12	6~13.8	0.11	0.09	1.08	1900	0.52	18.40	0.88	0.04	22.00
F-8010M12F II	12	6~13.8	0.17	0.13	1.56	2300	0.64	22.60	1.28	0.05	26.50
F-8010H12F II	12	6~12.6	0.25	0.20	2.40	2700	0.74	26.20	1.73	0.07	30.00
F-8010L05B II	5	4~5.75	0.15	0.12	0.60	2000	0.56	19.70	1.00	0.04	22.50
F-8010M05B II	5	4~5.75	0.28	0.22	1.10	2400	0.69	24.40	1.44	0.06	28.00
F-8010H05B II	5	4~5.75	0.50	0.40	2.00	2800	0.79	28.00	1.90	0.08	32.00
F-8010L12B II	12	6~13.8	0.11	0.09	1.08	2000	0.56	19.70	1.00	0.04	22.50
F-8010M12B II	12	6~13.8	0.17	0.13	1.56	2400	0.69	24.40	1.44	0.06	28.00
F-8010H12B II	12	6~12.6	0.25	0.20	2.40	2800	0.79	28.00	1.90	0.08	32.00

\*\* Specifications are subject to change without notice.

WWW.COFAN-USA.COM



Get quote >>

Springs Blvd, F  
33 | FAX (510)

Angic Global Solutions

1-888-872-0690

<https://www.AngicGlobal.com> [Sales@AngicGlobal.com](mailto:Sales@AngicGlobal.com)

# DC BRUSHLESS FAN



52557



E195760



**RoHS**  
compliant  
2002/95/EC

## 80X80X15 IV



AXIAL FAN

### BEARING TYPE

[B] 2-Ball Bearing, 70K hours\* at 45 °C  
[F] Hyper Bearing, 40K hours\* at 45 °C  
\* Based on estimated MTBF

### LEAD WIRES

12" wire  
UL 1007, AWG #24/26

### TEMPERATURE

Storage: -40 ~ +70 °C  
Operating: -10 ~ +70 °C

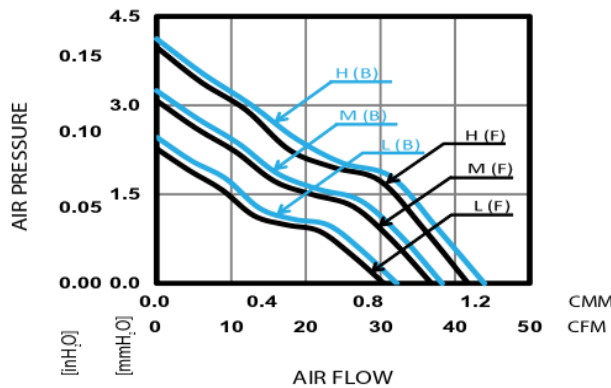
### OPTIONAL FEATURES

Tachometer  
Temperature Sensor  
PWM  
Locked Rotor  
IP55

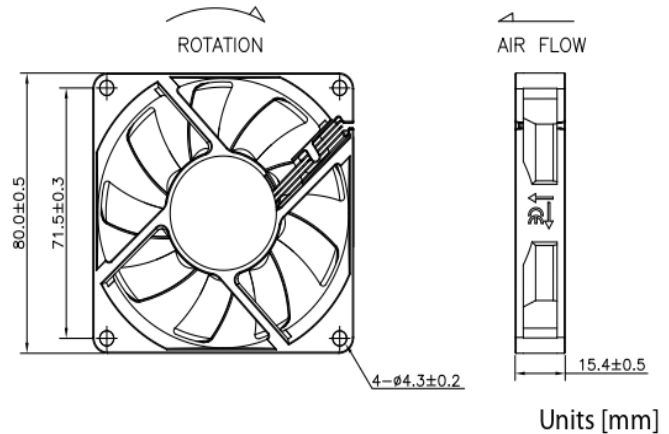
### MATERIAL

Impeller: PBT85% + FIBER15% (UL 94V-0)  
Frame: PBT70% + FIBER30% (UL 94V-0)

AIR PRESSURE vs. AIR FLOW



DIMENSIONS DRAWING



Model Number	Rated Voltage	Operating Voltage	Rated Current	Actual Current	Rated Power	Rated Speed	Maximum Air Flow		Maximum Static Air Pressure		Noise Level
	[V]	[V]	[A]	[A]	[W]	[RPM]	[CMM]	[CFM]	[mmH <sub>2</sub> O]	[inH <sub>2</sub> O]	[dBA]
F-8015L05F IV	5	4.5~5.5	0.22	0.17	0.85	2500	0.87	30.50	2.27	0.09	28.00
F-8015M05F IV	5	4.5~5.5	0.35	0.28	1.40	3000	1.04	36.80	3.08	0.12	32.50
F-8015L12F IV	12	6~13.8	0.12	0.09	1.08	2500	0.87	30.50	2.27	0.09	28.00
F-8015M12F IV	12	6~13.8	0.20	0.16	1.92	3000	1.04	36.80	3.08	0.12	32.50
F-8015H12F IV	12	6~13.8	0.24	0.19	2.28	3400	1.18	41.80	3.98	0.16	36.50
F-8015L05B IV	5	4.5~5.5	0.22	0.16	0.80	2600	0.91	32.30	2.46	0.10	28.50
F-8015M05B IV	5	4.5~5.5	0.35	0.26	1.30	3100	1.09	38.30	3.25	0.13	35.00
F-8015L12B IV	12	6~13.8	0.12	0.09	1.08	2600	0.91	32.30	2.46	0.10	28.50
F-8015M12B IV	12	6~13.8	0.20	0.16	1.92	3100	1.09	38.30	3.25	0.13	35.00
F-8015H12B IV	12	6~13.8	0.24	0.18	2.16	3500	1.25	44.00	4.13	0.16	38.00

\*\* Specifications are subject to change without notice.

WWW.COFAN-USA.COM



Get quote >>

Springs Blvd, F  
33 | FAX (510)

Angic Global Solutions

1-888-872-0690

<https://www.AngicGlobal.com> [Sales@AngicGlobal.com](mailto:Sales@AngicGlobal.com)

# DC BRUSHLESS FAN



52557



E195760



**RoHS**  
compliant  
2002/95/EC

## 80X80X15 V



AXIAL FAN

### BEARING TYPE

[B] 2-Ball Bearing, 70K hours\* at 45 °C  
[F] Hyper Bearing, 40K hours\* at 45 °C  
\* Based on estimated MTBF

### LEAD WIRES

12" wire  
UL 1007, AWG #24/26

### TEMPERATURE

Storage: -40 ~ +70 °C  
Operating: -10 ~ +70 °C

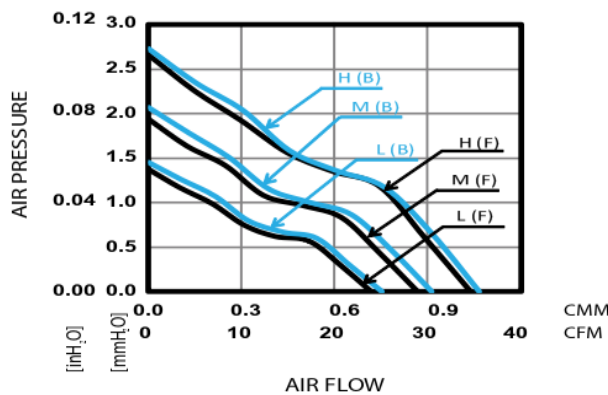
### OPTIONAL FEATURES

Tachometer  
Temperature Sensor  
PWM  
Locked Rotor  
IP55

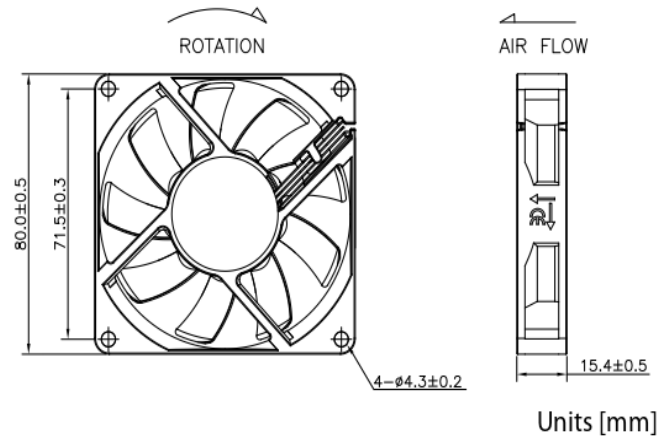
### MATERIAL

Impeller: PBT85% + FIBER15% (UL 94V-0)  
Frame: PBT70% + FIBER30% (UL 94V-0)

**AIR PRESSURE vs. AIR FLOW**



**DIMENSIONS DRAWING**



Model Number	Rated Voltage	Operating Voltage	Rated Current	Actual Current	Rated Power	Rated Speed	Maximum Air Flow		Maximum Static Air Pressure		Noise Level
	[V]	[V]	[A]	[A]	[W]	[RPM]	[CMM]	[CFM]	[mmH <sub>2</sub> O]	[inH <sub>2</sub> O]	[dBA]
F-8015L05F V	5	4~5.75	0.18	0.14	0.70	2000	0.68	23.90	1.37	0.05	22.50
F-8015M05F V	5	4~5.75	0.27	0.19	0.95	2400	0.82	28.90	1.94	0.08	26.50
F-8015H05F V	5	4~5.75	0.42	0.33	1.65	2800	0.98	34.60	2.66	0.11	31.50
F-8015L12F V	12	6~13.8	0.15	0.06	0.72	2000	0.68	23.90	1.37	0.05	22.50
F-8015M12F V	12	6~13.8	0.25	0.10	1.20	2400	0.82	28.90	1.94	0.08	26.50
F-8015H12F V	12	6~13.8	0.35	0.16	1.92	2800	0.98	34.60	2.66	0.11	31.50
F-8015M24F V	24	12~27.6	0.15	0.06	1.44	2400	0.82	28.90	1.94	0.08	26.50
F-8015H24F V	24	12~26	0.25	0.11	2.64	2800	0.98	34.60	2.66	0.11	31.50
F-8015L05B V	5	4~5.75	0.18	0.14	0.70	2100	0.71	25.10	1.46	0.06	22.50
F-8015M05B V	5	4~5.75	0.27	0.19	0.95	2500	0.86	30.40	2.07	0.08	28.50
F-8015H05B V	5	4~5.75	0.42	0.33	1.65	2900	1.01	35.50	2.73	0.11	33.00
F-8015L12B V	12	6~13.8	0.15	0.07	0.84	2100	0.71	25.10	1.46	0.06	22.50
F-8015M12B V	12	6~13.8	0.25	0.10	1.20	2500	0.86	30.40	2.07	0.08	28.50
F-8015H12B V	12	6~13.8	0.35	0.14	1.68	2900	1.01	35.50	2.73	0.11	33.00
F-8015M24B V	24	12~27.6	0.15	0.06	1.44	2500	0.86	30.40	2.07	0.08	28.50
F-8015H24B V	24	12~26	0.25	0.11	2.64	2900	1.01	35.50	2.73	0.11	33.00

\*\* Specifications are subject to change without notice.

WWW.COFAN-USA.COM



Get quote >>

Springs Blvd, F  
33 | FAX (510)

Angic Global Solutions

1-888-872-0690

<https://www.AngicGlobal.com> Sales@AngicGlobal.com

# DC BRUSHLESS FAN



52557



E195760



**RoHS**  
compliant  
2002/95/EC

AXIAL FAN

## 80X80X25 III



### BEARING TYPE

[B] 2-Ball Bearing, 70K hours\* at 45 °C  
[F] Hyper Bearing, 40K hours\* at 45 °C  
\* Based on estimated MTBF

### LEAD WIRES

12" wire  
UL 1007, AWG #24/26

### TEMPERATURE

Storage: -40 ~ +70 °C  
Operating: -10 ~ +70 °C

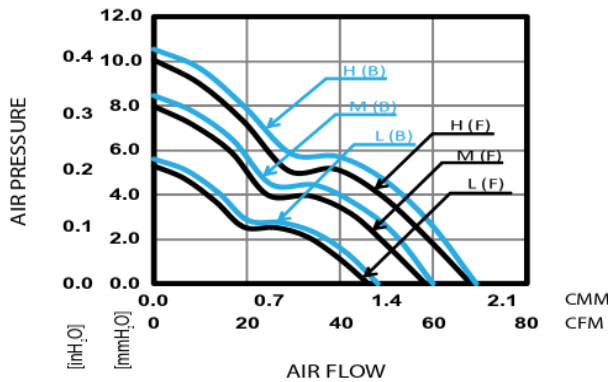
### OPTIONAL FEATURES

Tachometer  
Temperature Sensor  
PWM  
Locked Rotor  
IP55

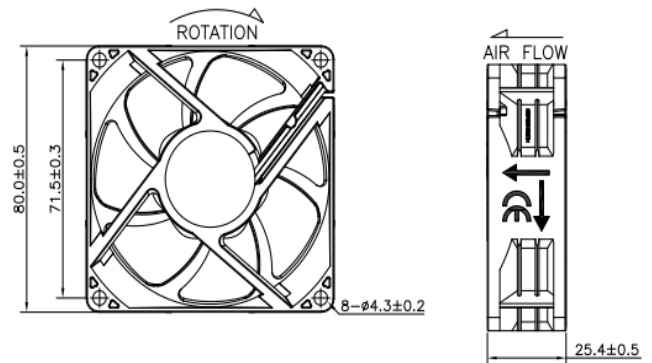
### MATERIAL

Impeller: PBT85% + FIBER15% (UL 94V-0)  
Frame: PBT70% + FIBER30% (UL 94V-0)

AIR PRESSURE vs. AIR FLOW



DIMENSIONS DRAWING



Units [mm]

Model Number	Rated Voltage	Operating Voltage	Rated Current	Actual Current	Rated Power	Rated Speed	Maximum Air Flow		Maximum Static Air Pressure		Noise Level
	[V]	[V]	[A]	[A]	[W]	[RPM]	[CMM]	[CFM]	[mmH <sub>2</sub> O]	[inH <sub>2</sub> O]	[dBA]
F-8025L12F III	12	6~13.8	0.19	0.16	1.92	3400	1.30	45.90	5.29	0.21	35.00
F-8025M12F III	12	6~13.8	0.29	0.23	2.76	4300	1.65	58.20	7.98	0.31	41.00
F-8025H12F III	12	6~13.8	0.43	0.34	4.08	4900	1.92	68.00	10.06	0.40	44.50
F-8025L12B III	12	6~13.8	0.19	0.15	1.80	3600	1.36	48.10	5.61	0.22	37.00
F-8025M12B III	12	6~13.8	0.29	0.22	2.64	4500	1.70	60.00	8.47	0.33	43.00
F-8025H12B III	12	6~13.8	0.43	0.33	3.96	5100	1.96	69.20	10.56	0.42	45.50

\*\* Specifications are subject to change without notice.

WWW.COFAN-USA.COM



Get quote >>

Springs Blvd, F  
33 | FAX (510)

Angic Global Solutions

1-888-872-0690

<https://www.AngicGlobal.com> [Sales@AngicGlobal.com](mailto:Sales@AngicGlobal.com)

# DC BRUSHLESS FAN



52557



E195760



**RoHS**  
compliant  
2002/95/EC

## 80X80X25 V



### BEARING TYPE

[B] 2-Ball Bearing  
70K hours\* at 45 °C

\* Based on estimated MTBF

### LEAD WIRES

12" wire  
UL 1007, AWG #24/26

### TEMPERATURE

Storage: -40 ~ +70 °C  
Operating: -10 ~ +70 °C

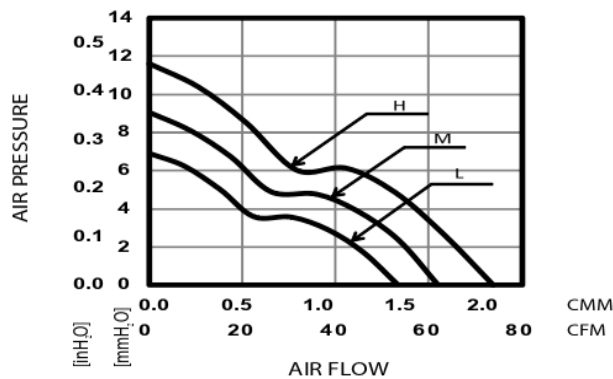
### MATERIAL

Impeller: PBT85% + FIBER15% (UL 94V-0)  
Frame: PBT70% + FIBER30% (UL 94V-0)

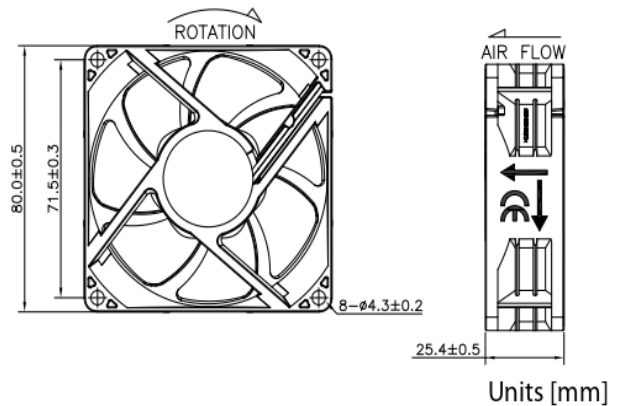
### OPTIONAL FEATURES

Tachometer  
Temperature Sensor  
PWM  
Locked Rotor  
IP55

### AIR PRESSURE vs. AIR FLOW



### DIMENSIONS DRAWING



Model Number	Rated Voltage	Operating Voltage	Rated Current	Actual Current	Rated Power	Rated Speed	Maximum Air Flow		Maximum Static Air Pressure		Noise Level
	[V]	[V]	[A]	[A]	[W]	[RPM]	[CMM]	[CFM]	[mmH <sub>2</sub> O]	[inH <sub>2</sub> O]	[dBA]
F-8025L12B V	12	6~13.8	0.28	0.22	2.64	4000	1.51	53.40	6.92	0.27	40.00
F-8025M12B V	12	6~13.8	0.35	0.28	3.36	4600	1.76	62.10	9.04	0.36	43.50
F-8025H12B V	12	6~13.8	0.48	0.38	4.56	5400	2.08	73.50	12.00	0.47	48.00
F-8025L24B V	24	16~27.6	0.14	0.11	2.64	4000	1.51	53.40	6.92	0.27	40.00
F-8025M24B V	24	16~27.6	0.19	0.15	3.60	4600	1.76	62.10	9.04	0.36	43.50
F-8025H24B V	24	16~27.6	0.25	0.20	4.80	5400	2.08	73.50	12.00	0.47	48.00
F-8025L48B V	48	30~55.2	0.09	0.08	3.84	4000	1.51	53.40	6.92	0.27	40.00
F-8025M48B V	48	30~55.2	0.12	0.10	4.80	4600	1.76	62.10	9.04	0.36	43.50
F-8025H48B V	48	30~55.2	0.17	0.12	5.76	5400	2.08	73.50	12.00	0.47	48.00

\*\* Specifications are subject to change without notice.

WWW.COFAN-USA.COM



Get quote >>

Springs Blvd, F  
33 | FAX (510)

Angic Global Solutions

1-888-872-0690

<https://www.AngicGlobal.com> [Sales@AngicGlobal.com](mailto:Sales@AngicGlobal.com)

# DC BRUSHLESS FAN



52557



E195760



AXIAL FAN

## 80X80X25 VI



### BEARING TYPE

[B] 2-Ball Bearing, 70K hours\* at 45 °C

[F] Hyper Bearing, 40K hours\* at 45 °C

\* Based on estimated MTBF

### LEAD WIRES

12" wire

UL 1007, AWG #24/26

### TEMPERATURE

Storage: -40 ~ +70 °C

Operating: -10 ~ +70 °C

### OPTIONAL FEATURES

Tachometer

Temperature Sensor

PWM

Locked Rotor

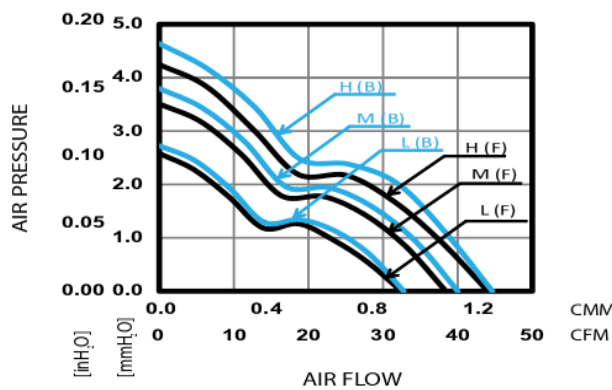
IP55

### MATERIAL

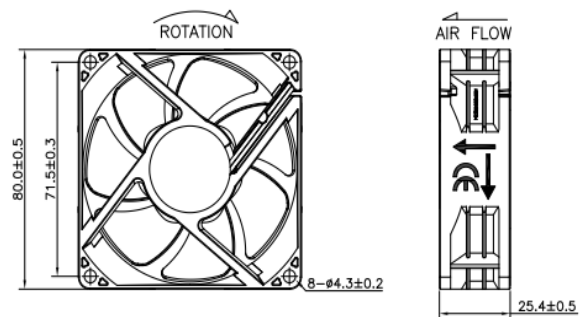
Impeller: PBT85% + FIBER15% (UL 94V-0)

Frame: PBT70% + FIBER30% (UL 94V-0)

### AIR PRESSURE vs. AIR FLOW



### DIMENSIONS DRAWING



Units [mm]

Model Number	Rated Voltage	Operating Voltage	Rated Current	Actual Current	Rated Power	Rated Speed	Maximum Air Flow		Maximum Static Air Pressure		Noise Level
	[V]	[V]	[A]	[A]	[W]	[RPM]	[CMM]	[CFM]	[mmH <sub>2</sub> O]	[inH <sub>2</sub> O]	[dBA]
F-8025L12F VI	12	6~13.8	0.14	0.08	0.96	2400	0.92	32.60	2.58	0.10	25.50
F-8025M12F VI	12	6~13.8	0.19	0.12	1.44	2900	1.09	38.50	3.51	0.14	31.00
F-8025H12F VI	12	6~13	0.24	0.18	2.16	3300	1.25	44.20	4.24	0.17	34.00
F-8025L12F VI-	12	6~13.8	0.14	0.08	0.96	2400	0.92	32.60	2.58	0.10	25.50
F-8025M12F VI-	12	6~13.8	0.19	0.12	1.44	2900	1.09	38.50	3.51	0.14	31.00
F-8025H12F VI-	12	6~13	0.30	0.18	2.16	3300	1.25	44.20	4.24	0.17	34.00
F-8025L24F VI	24	12~27.6	0.08	0.05	1.20	2400	0.92	32.60	2.58	0.10	25.50
F-8025M24F VI	24	12~27.6	0.10	0.07	1.68	2900	1.09	38.50	3.51	0.14	31.00
F-8025H24F VI	24	12~27.6	0.12	0.09	2.16	3300	1.25	44.20	4.24	0.17	34.00
F-8025L24F VI-	24	12~27.6	0.07	0.05	1.20	2400	0.92	32.60	2.58	0.10	25.50
F-8025M24F VI-	24	12~27.6	0.12	0.07	1.68	2900	1.09	38.40	3.57	0.14	31.00
F-8025H24F VI-	24	12~27.6	0.14	0.09	2.16	3300	1.25	44.20	4.24	0.17	34.00
F-8025L12B VI	12	6~13.8	0.14	0.08	0.96	2500	0.93	32.90	2.72	0.11	26.50
F-8025M12B VI	12	6~13.8	0.19	0.11	1.32	3000	1.13	40.00	3.80	0.15	32.50
F-8025H12B VI	12	6~13	0.24	0.17	2.04	3400	1.26	44.60	4.64	0.18	35.00
F-8025L12B VI-	12	6~13.8	0.14	0.08	0.96	2500	0.93	32.90	2.72	0.11	26.50
F-8025M12B VI-	12	6~13.8	0.19	0.11	1.32	3000	1.13	40.00	3.80	0.15	32.50
F-8025H12B VI-	12	6~13	0.30	0.17	2.04	3400	1.26	44.60	4.64	0.18	35.00
F-8025L24B VI	24	12~27.6	0.08	0.05	1.20	2500	0.93	32.90	2.72	0.11	26.50
F-8025M24B VI	24	12~27.6	0.10	0.07	1.68	3000	1.13	40.00	3.80	0.15	32.50
F-8025H24B VI	24	12~27.6	0.12	0.08	1.92	3400	1.26	44.60	4.64	0.18	35.00
F-8025L24B VI-	24	12~27.6	0.07	0.05	1.20	2500	0.93	32.90	2.72	0.11	26.50
F-8025M24B VI-	24	12~27.6	0.12	0.07	1.68	3000	1.13	40.00	3.80	0.15	32.50
F-8025H24B VI-	24	12~27.6	0.14	0.08	1.92	3400	1.26	44.60	4.64	0.18	35.00

\*\* Specifications are subject to change without notice.

WWW.COFAN-USA.COM



Get quote >>

Springs Blvd, F  
33 | FAX (510)

Angic Global Solutions

1-888-872-0690

<https://www.AngicGlobal.com> Sales@AngicGlobal.com

# DC BRUSHLESS FAN



52557



E195760



**RoHS**  
compliant  
2002/95/EC

## 80X80X38 II



### BEARING TYPE

[B] 2-Ball Bearing  
70K hours\* at 45 °C

\* Based on estimated MTBF

### LEAD WIRES

12" wire  
UL 1007, AWG #24/26

### TEMPERATURE

Storage: -40 ~ +70 °C  
Operating: -10 ~ +70 °C

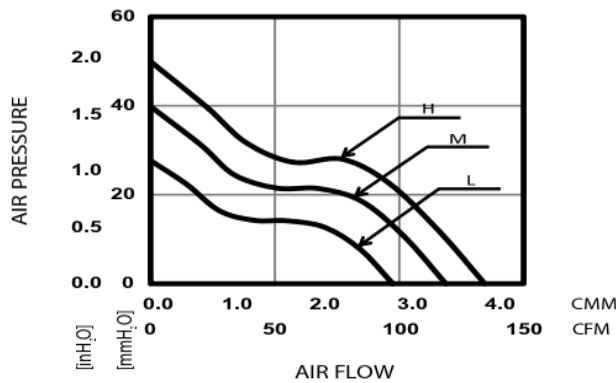
### MATERIAL

Impeller: PBT85% + FIBER15% (UL 94V-0)  
Frame: PBT70% + FIBER30% (UL 94V-0)

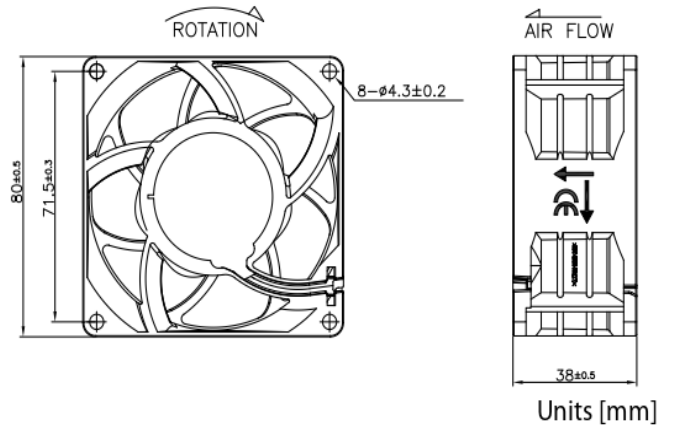
### OPTIONAL FEATURES

Tachometer  
Temperature Sensor  
PWM  
Locked Rotor  
IP55

AIR PRESSURE vs. AIR FLOW



DIMENSIONS DRAWING



Units [mm]

Model Number	Rated Voltage	Operating Voltage	Rated Current	Actual Current	Rated Power	Rated Speed	Maximum Air Flow		Maximum Static Air Pressure		Noise Level
	[V]	[V]	[A]	[A]	[W]	[RPM]	[CMM]	[CFM]	[mmH <sub>2</sub> O]	[inH <sub>2</sub> O]	[dBA]
F-8038L12B II	12	6~13.8	1.83	1.46	17.52	7500	2.76	97.60	27.74	1.09	57.00
F-8038M12B II	12	6~13.8	2.75	2.20	26.40	9000	3.37	119.00	39.83	1.57	61.50
F-8038H12B II	12	6~13.2	3.88	3.10	37.20	10200	3.81	134.50	49.91	1.97	65.50
F-8038L24B II	24	16~27.6	0.85	0.68	16.32	7500	2.76	97.60	27.74	1.09	57.00
F-8038M24B II	24	16~27.6	1.38	1.10	26.40	9000	3.37	119.00	39.83	1.57	61.50
F-8038H24B II	24	16~27.6	1.94	1.55	37.20	10200	3.81	134.50	49.91	1.97	65.50
F-8038L48B II	48	30~55.2	0.44	0.35	16.80	7500	2.76	97.60	27.74	1.09	57.00
F-8038M48B II	48	30~55.2	0.69	0.55	26.40	9000	3.37	119.00	39.83	1.57	61.50
F-8038H48B II	48	30~55.2	0.98	0.78	37.44	10200	3.81	134.50	49.91	1.97	65.50

\*\* Specifications are subject to change without notice.

WWW.COFAN-USA.COM



Get quote >>

Springs Blvd, F  
33 | FAX (510) <https://www.AngicGlobal.com> [Sales@AngicGlobal.com](mailto:Sales@AngicGlobal.com)

1-888-872-0690

# DC BRUSHLESS FAN



52557



E195760



**RoHS**  
compliant  
2002/95/EC

## 92X92X25 IV



### BEARING TYPE

[B] 2-Ball Bearing, 70K hours\* at 45 °C

[F] Hyper Bearing, 40K hours\* at 45 °C

\* Based on estimated MTBF

### LEAD WIRES

12" wire

UL 1007, AWG #24/26

### TEMPERATURE

Storage: -40 ~ +70 °C

Operating: -10 ~ +70 °C

### OPTIONAL FEATURES

Tachometer

Temperature Sensor

PWM

Locked Rotor

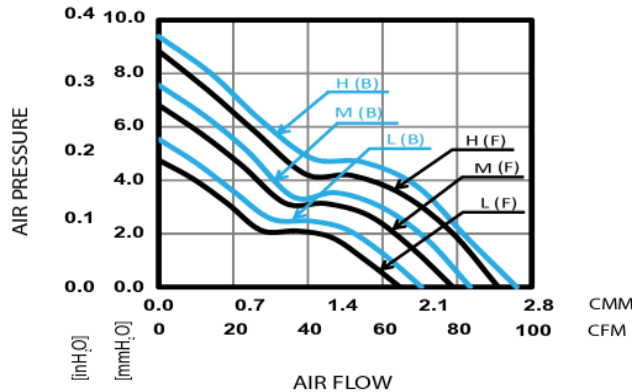
IP55

### MATERIAL

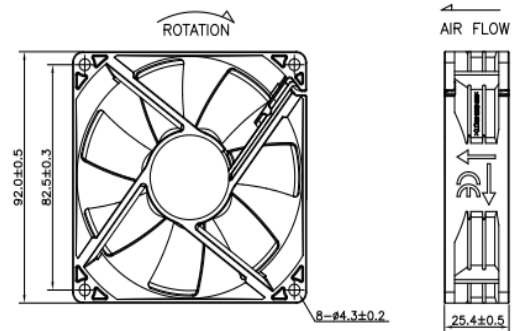
Impeller: PBT85% + FIBER15% (UL 94V-0)

Frame: PBT70% + FIBER30% (UL 94V-0)

AIR PRESSURE vs. AIR FLOW



DIMENSIONS DRAWING



Units [mm]

Model Number	Rated Voltage	Operating Voltage	Rated Current	Actual Current	Rated Power	Rated Speed	Maximum Air Flow		Maximum Static Air Pressure		Noise Level
	[V]	[V]	[A]	[A]	[W]	[RPM]	[CMM]	[CFM]	[mmH <sub>2</sub> O]	[inH <sub>2</sub> O]	[dBA]
F-9225L12F IV	12	6~13.8	0.22	0.18	2.16	2900	1.83	64.70	4.77	0.19	37.50
F-9225M12F IV	12	6~13.8	0.34	0.28	3.36	3500	2.23	78.90	6.82	0.27	43.00
F-9225H12F IV	12	6~13.2	0.50	0.41	4.92	4000	2.58	91.20	8.83	0.35	47.00
F-9225L12B IV	12	6~13.8	0.22	0.18	2.16	3100	2.00	70.50	5.54	0.22	40.50
F-9225M12B IV	12	6~13.8	0.34	0.27	3.24	3700	2.37	83.60	7.57	0.30	44.50
F-9225H12B IV	12	6~13.2	0.50	0.40	4.80	4200	2.72	96.10	9.38	0.37	48.50

\*\* Specifications are subject to change without notice.

WWW.COFAN-USA.COM



Get quote >>

Springs Blvd, F  
33 | FAX (510)

Angic Global Solutions

1-888-872-0690

<https://www.AngicGlobal.com> Sales@AngicGlobal.com

# DC BRUSHLESS FAN



52557



E195760



**RoHS**  
compliant  
2002/95/EC

## 92X92X25 V



### BEARING TYPE

[B] 2-Ball Bearing  
70K hours\* at 45 °C

\* Based on estimated MTBF

### LEAD WIRES

12" wire  
UL 1007, AWG #24/26

### TEMPERATURE

Storage: -40 ~ +70 °C  
Operating: -10 ~ +70 °C

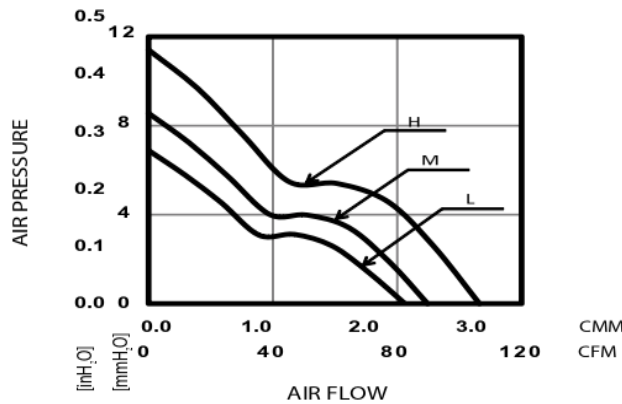
### MATERIAL

Impeller: PBT85% + FIBER15% (UL 94V-0)  
Frame: PBT70% + FIBER30% (UL 94V-0)

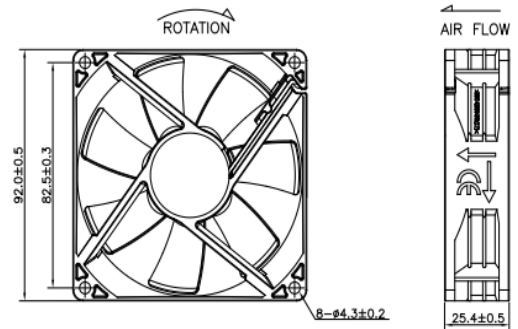
### OPTIONAL FEATURES

Tachometer  
Temperature Sensor  
PWM  
Locked Rotor  
IP55

### AIR PRESSURE vs. AIR FLOW



### DIMENSIONS DRAWING



Units [mm]

Model Number	Rated Voltage	Operating Voltage	Rated Current	Actual Current	Rated Power	Rated Speed	Maximum Air Flow		Maximum Static Air Pressure		Noise Level
	[V]	[V]	[A]	[A]	[W]	[RPM]	[CMM]	[CFM]	[mmH <sub>2</sub> O]	[inH <sub>2</sub> O]	[dBA]
F-9225L12B V	12	6~13.8	0.38	0.28	3.36	3500	2.34	82.50	6.90	0.27	43.50
F-9225M12B V	12	6~13.8	0.49	0.39	4.68	4000	2.55	89.90	8.55	0.34	47.50
F-9225H12B V	12	6~13.8	0.89	0.61	7.32	4600	3.20	106.70	11.42	0.45	51.00
F-9225L24B V	24	16~27.6	0.19	0.15	3.60	3500	2.34	82.50	6.90	0.27	43.50
F-9225M24B V	24	16~27.6	0.25	0.20	4.80	4000	2.55	89.90	8.55	0.34	47.50
F-9225H24B V	24	16~27.6	0.36	0.29	6.96	4600	3.20	106.70	11.42	0.45	51.00
F-9225L48B V	48	30~55.2	0.12	0.09	4.32	3500	2.34	82.50	6.90	0.27	43.50
F-9225M48B V	48	30~55.2	0.15	0.12	5.76	4000	2.55	89.90	8.55	0.34	47.50
F-9225H48B V	48	30~55.2	0.23	0.18	8.64	4600	3.20	106.70	11.42	0.45	51.00

\*\* Specifications are subject to change without notice.

WWW.COFAN-USA.COM



Get quote >>

Springs Blvd, F  
33 | FAX (510)

Angic Global Solutions

1-888-872-0690

<https://www.AngicGlobal.com> [Sales@AngicGlobal.com](mailto:Sales@AngicGlobal.com)

# DC BRUSHLESS FAN



52557



E195760



**RoHS**  
compliant  
2002/95/EC

AXIAL FAN

## 92X92X25 VI



### BEARING TYPE

[B] 2-Ball Bearing, 70K hours\* at 45 °C  
[F] Hyper Bearing, 40K hours\* at 45 °C  
\* Based on estimated MTBF

### LEAD WIRES

12" wire  
UL 1007, AWG #24/26

### TEMPERATURE

Storage: -40 ~ +70 °C  
Operating: -10 ~ +70 °C

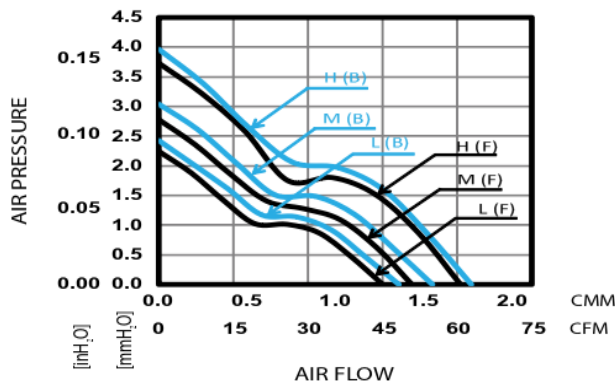
### OPTIONAL FEATURES

Tachometer  
Temperature Sensor  
PWM  
Locked Rotor  
IP55

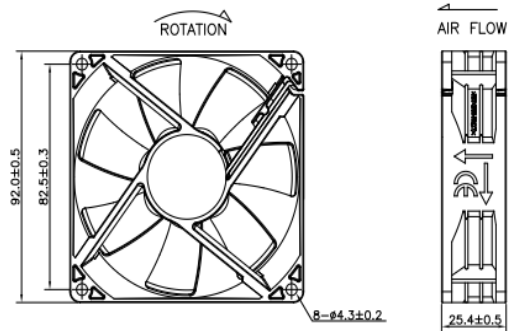
### MATERIAL

Impeller: PBT85% + FIBER15% (UL 94V-0)  
Frame: PBT70% + FIBER30% (UL 94V-0)

**AIR PRESSURE vs. AIR FLOW**



**DIMENSIONS DRAWING**



Units [mm]

Model Number	Rated Voltage	Operating Voltage	Rated Current	Actual Current	Rated Power	Rated Speed	Maximum Air Flow		Maximum Static Air Pressure		Noise Level
	[V]	[V]	[A]	[A]	[W]	[RPM]	[CMM]	[CFM]	[mmH <sub>2</sub> O]	[inH <sub>2</sub> O]	[dBA]
F-9225L12F VI	12	6~13.8	0.24	0.09	1.08	2000	1.28	45.00	2.25	0.09	27.00
F-9225M12F VI	12	6~13.8	0.28	0.14	1.68	2300	1.44	50.90	2.78	0.11	32.00
F-9225H12F VI	12	6~13	0.32	0.20	2.40	2700	1.72	60.70	3.73	0.15	35.00
F-9225L24F VI	24	12~27.6	0.10	0.06	1.44	2000	1.28	45.00	2.25	0.09	27.00
F-9225M24F VI	24	12~27.6	0.14	0.09	2.16	2300	1.44	50.90	2.78	0.11	32.00
F-9225H24F VI	24	12~27.6	0.18	0.10	2.40	2700	1.72	60.70	3.73	0.15	35.00
F-9225L12B VI	12	6~13.8	0.24	0.09	1.08	2100	1.37	48.40	2.42	0.10	29.00
F-9225M12B VI	12	6~13.8	0.28	0.14	1.68	2400	1.56	55.10	3.05	0.12	32.50
F-9225H12B VI	12	6~13	0.32	0.19	2.28	2800	1.78	63.00	3.97	0.16	36.50
F-9225L24B VI	24	12~27.6	0.10	0.05	1.20	2100	1.37	48.40	2.42	0.10	29.00
F-9225M24B VI	24	12~27.6	0.14	0.08	1.92	2400	1.56	55.10	3.05	0.12	32.50
F-9225H24B VI	24	12~27.6	0.18	0.10	2.40	2800	1.78	63.00	3.97	0.16	36.50

\*\* Specifications are subject to change without notice.

WWW.COFAN-USA.COM



Get quote >>

Springs Blvd, F  
33 | FAX (510)

Angic Global Solutions

1-888-872-0690

<https://www.AngicGlobal.com> [Sales@AngicGlobal.com](mailto:Sales@AngicGlobal.com)

# DC BRUSHLESS FAN



52557



E195760



**RoHS**  
compliant  
2002/95/EC

## 92X92X38 II



### BEARING TYPE

[B] 2-Ball Bearing  
70K hours\* at 45 °C

\* Based on estimated MTBF

### LEAD WIRES

12" wire  
UL 1007, AWG #24/26

### TEMPERATURE

Storage: -40 ~ +70 °C  
Operating: -10 ~ +70 °C

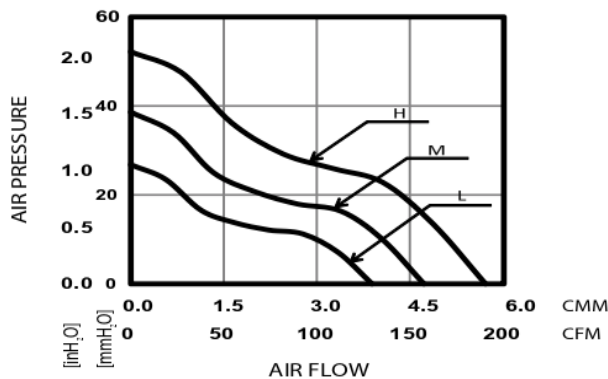
### MATERIAL

Impeller: PBT85% + FIBER15% (UL 94V-0)  
Frame: PBT70% + FIBER30% (UL 94V-0)

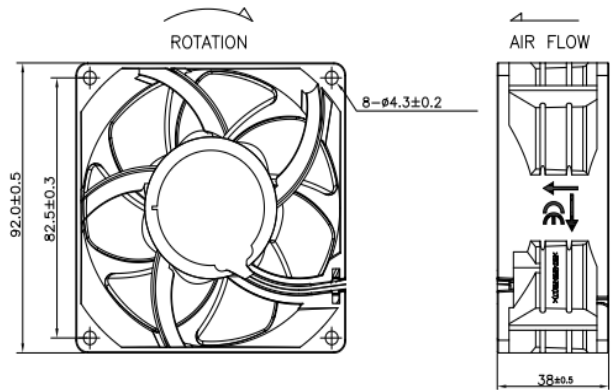
### OPTIONAL FEATURES

Tachometer  
Temperature Sensor  
PWM  
Locked Rotor  
IP55

AIR PRESSURE vs. AIR FLOW



DIMENSIONS DRAWING



Units [mm]

Model Number	Rated Voltage	Operating Voltage	Rated Current	Actual Current	Rated Power	Rated Speed	Maximum Air Flow		Maximum Static Air Pressure		Noise Level
	[V]	[V]	[A]	[A]	[W]	[RPM]	[CMM]	[CFM]	[mmH <sub>2</sub> O]	[inH <sub>2</sub> O]	[dBA]
F-9238L12B II	12	6~13.8	1.88	1.50	18.00	6200	3.66	129.40	26.80	1.05	55.00
F-9238M12B II	12	6~13.8	2.88	2.30	27.60	7500	4.46	157.40	38.54	1.52	59.00
F-9238H12B II	12	6~13.8	5.00	4.00	48.00	9000	5.40	190.50	52.19	2.05	65.00
F-9238L24B II	24	16~27.6	0.84	0.67	16.08	6200	3.66	129.40	26.80	1.05	55.00
F-9238M24B II	24	16~27.6	1.44	1.15	27.60	7500	4.46	157.40	38.54	1.52	59.00
F-9238H24B II	24	16~27.6	2.50	2.00	48.00	9000	5.40	190.50	52.19	2.05	65.00
F-9238L48B II	48	33~55.2	0.45	0.36	17.28	6200	3.66	129.40	26.80	1.05	55.00
F-9238M48B II	48	33~55.2	0.69	0.55	26.40	7500	4.46	157.40	38.54	1.52	59.00
F-9238H48B II	48	33~55.2	1.19	0.95	45.60	9000	5.40	190.50	52.19	2.05	65.00

\*\* Specifications are subject to change without notice.

WWW.COFAN-USA.COM



Get quote >>

Springs Blvd, F  
33 | FAX (510)

Angic Global Solutions

1-888-872-0690

<https://www.AngicGlobal.com> [Sales@AngicGlobal.com](mailto:Sales@AngicGlobal.com)

# DC BRUSHLESS FAN



52557



E195760



**RoHS**  
compliant  
2002/95/EC

## 120X120X25 III



### BEARING TYPE

[B] 2-Ball Bearing  
70K hours\* at 45 °C

\* Based on estimated MTBF

### LEAD WIRES

12" wire  
UL 1007, AWG #24/26

### TEMPERATURE

Storage: -40 ~ +70 °C  
Operating: -10 ~ +70 °C

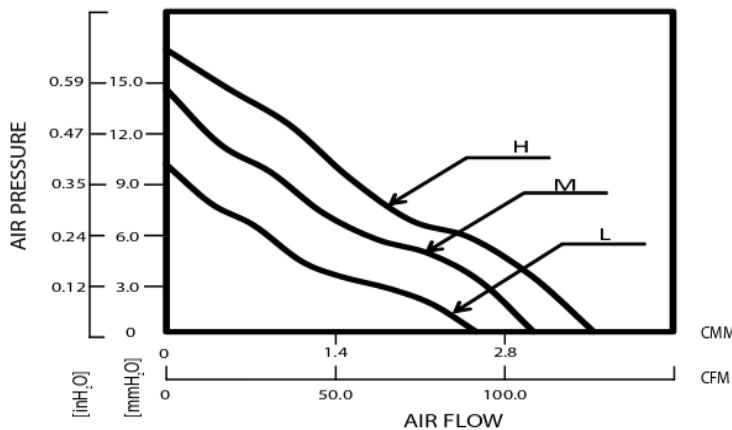
### MATERIAL

Impeller: PBT85% + FIBER15% (UL 94V-0)  
Frame: PBT70% + FIBER30% (UL 94V-0)

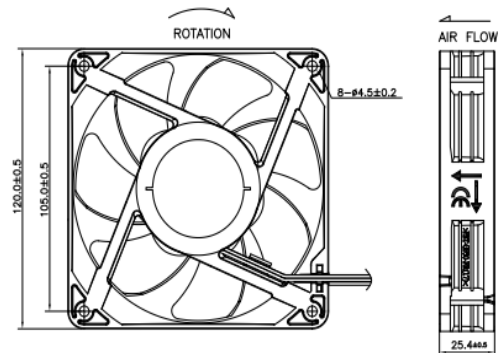
### OPTIONAL FEATURES

Tachometer  
Temperature Sensor  
PWM  
Locked Rotor  
IP55

AIR PRESSURE vs. AIR FLOW



DIMENSIONS DRAWING



Units [mm]

Model Number	Rated Voltage	Operating Voltage	Rated Current	Actual Current	Rated Power	Rated Speed	Maximum Air Flow		Maximum Static Air Pressure		Noise Level
	[V]	[V]	[A]	[A]	[W]	[RPM]	[CMM]	[CFM]	[mmH <sub>2</sub> O]	[inH <sub>2</sub> O]	[dBA]
F-1225L12B III	12	6~13.8	0.35	0.28	3.36	2900	2.60	91.80	10.43	0.41	42.00
F-1225M12B III	12	6~13.8	0.53	0.39	4.68	3500	3.09	109.00	15.16	0.60	47.00
F-1225H12B III	12	6~13.8	0.79	0.59	7.08	4100	3.59	126.90	17.62	0.69	51.50
F-1225L24B III	24	16~27.6	0.19	0.15	3.60	2900	2.60	91.80	10.43	0.41	42.00
F-1225M24B III	24	16~27.6	0.26	0.21	5.04	3500	3.09	109.00	15.16	0.60	47.00
F-1225H24B III	24	16~27.6	0.39	0.31	7.44	4100	3.59	126.90	17.62	0.69	51.50
F-1225L48B III	48	30~55.2	0.10	0.08	3.84	2900	2.60	91.80	10.43	0.41	42.00
F-1225M48B III	48	30~55.2	0.15	0.12	5.76	3500	3.09	109.00	15.16	0.60	47.00
F-1225H48B III	48	30~55.2	0.23	0.17	8.16	4100	3.59	126.90	17.62	0.69	51.50

\*\* Specifications are subject to change without notice.

WWW.COFAN-USA.COM



Get quote >>

Springs Blvd, F  
33 | FAX (510)

Angic Global Solutions

1-888-872-0690

<https://www.AngicGlobal.com> [Sales@AngicGlobal.com](mailto:Sales@AngicGlobal.com)

# DC BRUSHLESS FAN



52557



E195760



**RoHS**  
compliant  
2002/95/EC

## 120X120X38 II



### BEARING TYPE

[B] 2-Ball Bearing  
70K hours\* at 45 °C

\* Based on estimated MTBF

### LEAD WIRES

12" wire  
UL 1007, AWG #24/26

### TEMPERATURE

Storage: -40 ~ +70 °C  
Operating: -10 ~ +70 °C

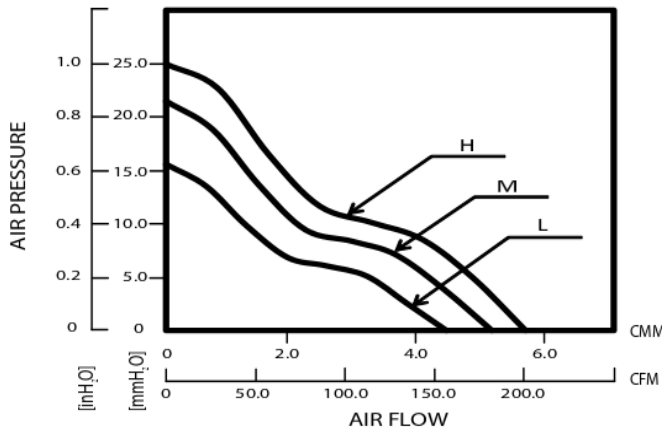
### MATERIAL

Impeller: PBT85% + FIBER15% (UL 94V-0)  
Frame: PBT70% + FIBER30% (UL 94V-0)

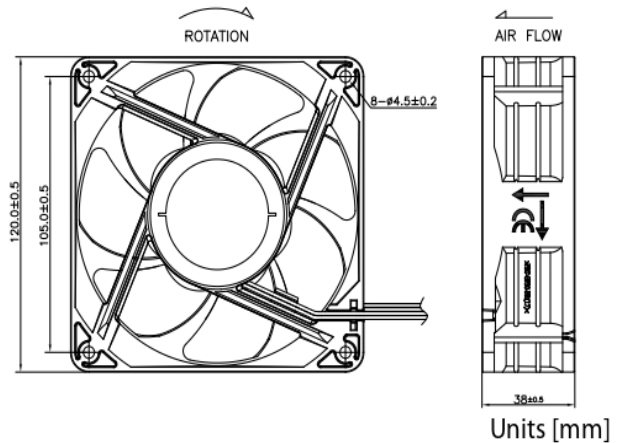
### OPTIONAL FEATURES

Tachometer  
Temperature Sensor  
PWM  
Locked Rotor  
IP55

AIR PRESSURE vs. AIR FLOW



DIMENSIONS DRAWING



Model Number	Rated Voltage	Operating Voltage	Rated Current	Actual Current	Rated Power	Rated Speed	Maximum Air Flow		Maximum Static Air Pressure		Noise Level
	[V]	[V]	[A]	[A]	[W]	[RPM]	[CMM]	[CFM]	[mmH <sub>2</sub> O]	[inH <sub>2</sub> O]	[dBA]
F-1238L12B II	12	6~13.8	0.91	0.73	8.76	3500	4.44	156.90	15.58	0.61	51.00
F-1238M12B II	12	6~13.8	1.35	1.08	12.96	4100	5.16	182.10	21.45	0.84	55.00
F-1238H12B II	12	6~13.8	1.75	1.40	16.80	4600	5.69	200.90	25.00	0.98	59.50
F-1238L24B II	24	16~27.6	0.44	0.35	8.40	3500	4.44	156.90	15.58	0.61	51.00
F-1238M24B II	24	16~27.6	0.65	0.55	13.20	4100	5.16	182.10	21.45	0.84	55.00
F-1238H24B II	24	16~27.6	0.88	0.70	16.80	4600	5.69	200.90	25.00	0.98	59.50
F-1238L48B II	48	30~55.2	0.23	0.18	8.64	3500	4.44	156.90	15.58	0.61	51.00
F-1238M48B II	48	30~55.2	0.34	0.27	12.96	4100	5.16	182.10	21.45	0.84	55.00
F-1238H48B II	48	30~55.2	0.48	0.36	17.28	4600	5.69	200.90	25.00	0.98	59.50

\*\* Specifications are subject to change without notice.

WWW.COFAN-USA.COM



Get quote >>

Springs Blvd, F  
33 | FAX (510)

Angic Global Solutions

1-888-872-0690

<https://www.AngicGlobal.com> [Sales@AngicGlobal.com](mailto:Sales@AngicGlobal.com)

DC BRUSHLESS FAN



52557



E195760



120X120X38 III



AXIAL FAN

BEARING TYPE

[B] 2-Ball Bearing  
70K hours\* at 45 °C

\* Based on estimated MTBF

TEMPERATURE

Storage: -40 ~ +70 °C  
Operating: -10 ~ +70 °C

MATERIAL

Impeller: PBT85% + FIBER15% (UL 94V-0)  
Frame: PBT70% + FIBER30% (UL 94V-0)

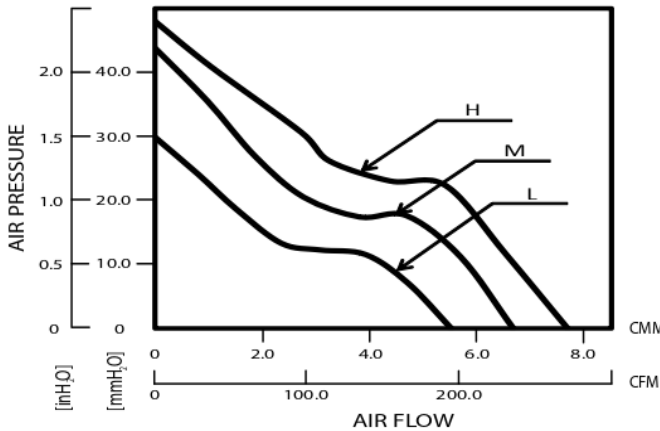
LEAD WIRES 12" wire

UL 1007, AWG #24/26

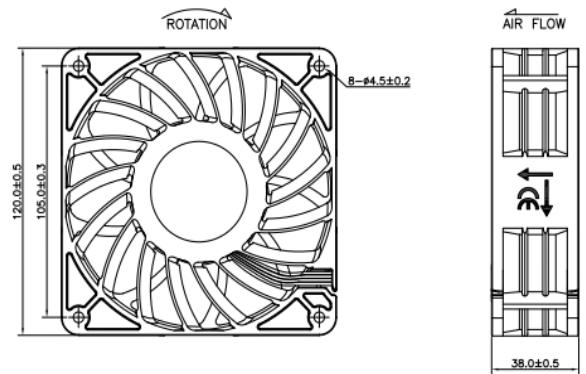
OPTIONAL FEATURES

- Tachometer
- Temperature Sensor
- PWM
- Locked Rotor
- IP55

AIR PRESSURE vs. AIR FLOW



DIMENSIONS DRAWING



Units [mm]

Model Number	Rated Voltage	Operating Voltage	Rated Current	Actual Current	Rated Power	Rated Speed	Maximum Air Flow		Maximum Static Air Pressure		Noise Level
	[V]	[V]	[A]	[A]	[W]	[RPM]	[CMM]	[CFM]	[mmH <sub>2</sub> O]	[inH <sub>2</sub> O]	[dBA]
F-1238L12B III	12	6~13.8	2.25	2.00	24.00	4700	5.84	206.30	32.56	1.28	59.50
F-1238M12B III	12	6~13.8	3.69	3.00	36.00	5700	6.66	235.10	43.79	1.72	65.50
F-1238H12B III	12	6~13.8	5.44	4.35	52.20	6500	7.68	271.20	47.99	1.89	68.50
F-1238L24B III	24	16~27.6	1.08	0.86	20.64	4700	5.84	206.30	32.56	1.28	59.50
F-1238M24B III	24	16~27.6	1.75	1.40	33.60	5700	6.66	235.10	43.79	1.72	65.50
F-1238H24B III	24	16~27.6	2.63	2.10	50.40	6500	7.68	271.20	47.99	1.89	68.50
F-1238L48B III	48	30~55.2	0.54	0.43	20.64	4700	5.84	206.30	32.56	1.28	59.50
F-1238M48B III	48	30~55.2	0.88	0.70	33.60	5700	6.66	235.10	43.79	1.72	65.50
F-1238H48B III	48	30~55.2	1.25	1.00	48.00	6500	7.68	271.20	47.99	1.89	68.50

\*\* Specifications are subject to change without notice.

WWW.COFAN-USA.COM



Get quote



46177 Warm Springs Blvd, Fremont, CA 94538

33 | FAX (510)

Angic Global Solutions

<https://www.AngicGlobal.com> Sales@AngicGlobal.com

1-888-872-0690