

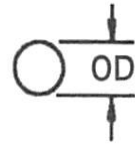
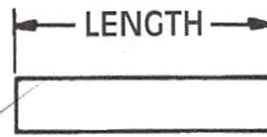
SPACERS

SECTION
V

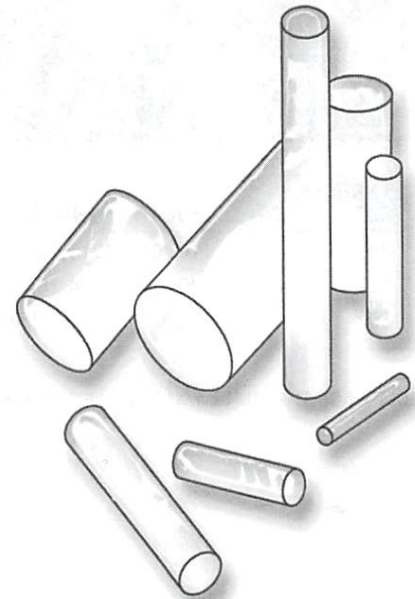
MOLDED PLASTIC DOWELS

Molded in Natural Acetal

Uses include dowel pins, stop pins, insulating spacers, switch actuators, and keys. Natural color acetal plastic is standard though they may be molded of other materials. Other lengths are available.

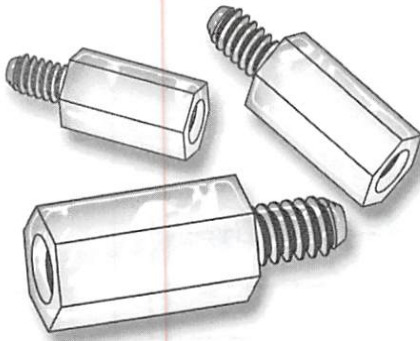


ITEM NUMBER	DESCRIPTION	O.D.	LENGTH
2500470125	047125	.047 (1,19)	1/8 (3,18)
2500470250	047250	.047 (1,19)	1/4 (6,35)
2500470375	047375	.047 (1,19)	3/8 (9,53)
2500470500	047500	.047 (1,19)	1/2 (12,70)
2500620125	062125	.062 (1,57)	1/8 (3,18)
2500620250	062250	.062 (1,57)	1/4 (6,35)
2500620375	062375	.062 (1,57)	3/8 (9,53)
2500620500	062500	.062 (1,57)	1/2 (12,70)
2500930125	093125	.093 (2,36)	1/8 (3,18)
2500930187	093187	.093 (2,36)	3/16 (4,76)
2500930250	093250	.093 (2,36)	1/4 (6,35)
2500930312	930312	.093 (2,36)	5/16 (7,92)
2500930375	093375	.093 (2,36)	3/8 (9,53)
2500930500	093500	.093 (2,36)	1/2 (12,70)
2501221125	122125	.122 (3,10)	1-1/8 (28,58)
2501250125	125125	.125 (3,18)	1/8 (3,18)
2501250187	125187	.125 (3,18)	3/16 (4,76)
2501250250	125250	.125 (3,18)	1/4 (6,35)
2501250312	125312	.125 (3,18)	5/16 (7,95)
2501250375	125375	.125 (3,18)	3/8 (9,53)
2501250500	125500	.125 (3,18)	1/2 (12,70)
2501870125	187125	.187 (4,75)	1/8 (3,18)
2501870250	187250	.187 (4,75)	1/4 (6,35)
2501870375	187375	.187 (4,75)	3/8 (9,53)
2501870500	187500	.187 (4,75)	1/2 (12,70)
2501870625	187625	.187 (4,75)	5/8 (15,88)
2501870750	187750	.187 (4,75)	3/4 (19,05)
2502451250	245250	.245 (6,22)	1-1/4 (31,75)
2502100500	210500	.210 (5,33)	1/2 (12,70)
2502500125	250125	.250 (6,35)	1/8 (3,18)
2502500239	250239	.250 (6,35)	15/64 (5,97)
2502500250	250250	.250 (6,35)	1/4 (6,35)
2502500375	250375	.250 (6,35)	3/8 (9,53)
2502500500	250500	.250 (6,35)	1/2 (12,70)
2502500750	250750	.250 (6,35)	3/4 (19,05)
2503120125	312125	.312 (7,92)	1/8 (3,18)
2503120250	312250	.312 (7,92)	1/4 (6,35)
2503120375	312375	.312 (7,92)	3/8 (9,53)
2503120500	312500	.312 (7,92)	1/2 (12,70)
2503120625	312625	.312 (7,92)	5/8 (15,88)
2503120750	312750	.312 (7,92)	3/4 (19,05)
2503750312	375312	.367 (9,32)	5/16 (7,95)
2504370250	437250	.437 (11,10)	1/4 (6,35)



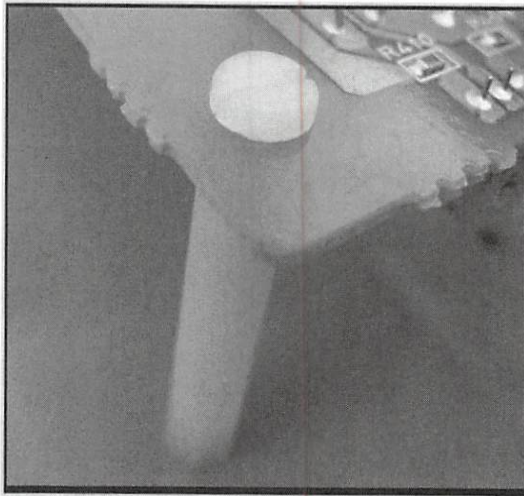
SPACERS

SECTION
V



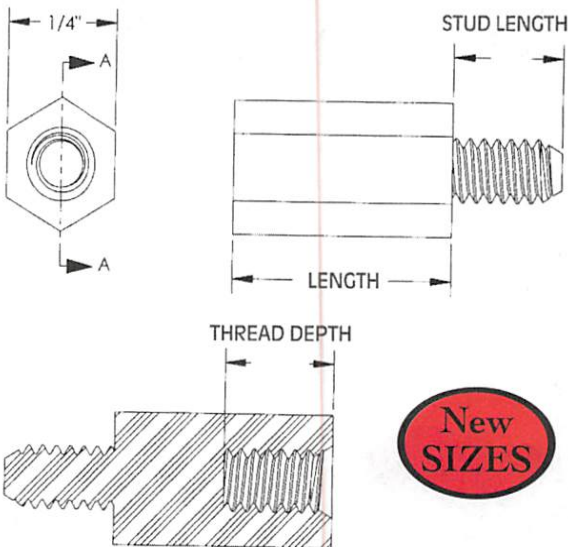
MALE-FEMALE THREADED STANDOFFS

Molded in Natural Nylon 6/6



THREAD SIZE	STUD LENGTH	THREAD DEPTH
440	3/16 (4,76)	3/16 (4,76) Minimum
632	1/4 (6,35)	1/4 (6,35) Minimum
832	3/8 (9,53)	3/8 (9,53) Minimum

DEPTH OF THREAD IN 1/4" BODY LENGTHS IS 3/16" MINIMUM



**New
SIZES**

**METRIC Sizes
Also Available**
Page 280

- * Thread Depth = 3/16
- ** Thread Depth=13/64
- *** Thread Depth=.200
- **** Thread Depth=.270

ITEM NUMBER	DESCRIPTION	SCREW SIZE	THREAD	LENGTH
36440MF025	Standoff	4	440	1/4 (6,35)
36440MF031	Standoff	4	440	5/16 (7,94)
36440MF037	Standoff	4	440	3/8 (9,53)
36440MF050	Standoff	4	440	1/2 (12,70)
36440MF060	Standoff	4	440	.600 (15,24)
36440MF062	Standoff	4	440	5/8 (15,88)
36440MF075	Standoff	4	440	3/4 (19,05)
36440MF087	Standoff	4	440	7/8 (22,22)
36440MF100	Standoff	4	440	1 (25,40)
36440MF112	Standoff	4	440	1 1/8 (28,58)
36440MF125	Standoff	4	440	1 1/4 (31,75)
36440MF137	Standoff	4	440	1 3/8 (34,93)
36440MF150	Standoff	4	440	1 1/2 (38,10)
36440MF162	Standoff	4	440	1 5/8 (38,28)
36440MF175	Standoff	4	440	1 3/4 (44,45)
36440MF200	Standoff	4	440	2 (50,80)
* 36632MF025	Standoff	6	632	1/4 (6,35)
** 36632MF026	Standoff	6	632	17/64 (6,75)
36632MF037	Standoff	6	632	3/8 (9,53)
36632MF050	Standoff	6	632	1/2 (12,70)
36632MF056	Standoff	6	632	9/16 (14,27)
36632MF062	Standoff	6	632	5/8 (15,88)
36632MF075	Standoff	6	632	3/4 (19,05)
36632MF087	Standoff	6	632	7/8 (22,22)
36632MF093	Standoff	6	632	15/16 (23,81)
36632MF100	Standoff	6	632	1 (25,40)
36632MF112	Standoff	6	632	1 1/8 (28,58)
36632MF125	Standoff	6	632	1 1/4 (31,75)
36632MF131	Standoff	6	632	1 5/16 (33,32)
36632MF137	Standoff	6	632	1 3/8 (34,93)
36632MF150	Standoff	6	632	1 1/2 (38,10)
36632MF162	Standoff	6	632	1 5/8 (41,28)
36632MF175	Standoff	6	632	1 3/4 (44,45)
36632MF200	Standoff	6	632	2 (50,80)
*** 36832MF025	Standoff	8	832	1/4 (6,35)
**** 36832MF037	Standoff	8	832	3/8 (9,53)
36832MF050	Standoff	8	832	1/2 (12,70)
36832MF062	Standoff	8	832	5/8 (15,88)
36832MF075	Standoff	8	832	3/4 (19,05)
36832MF086	Standoff	8	832	7/8 (22,22)
36832MF087	Standoff	8	832	7/8 (22,22)
36832MF100	Standoff	8	832	1 (25,40)
36832MF112	Standoff	8	832	1 1/8 (28,58)
36832MF125	Standoff	8	832	1 1/4 (31,75)
36832MF137	Standoff	8	832	1 3/8 (34,93)
36832MF150	Standoff	8	832	1 1/2 (38,10)
36832MF162	Standoff	8	832	1 5/8 (41,28)
36832MF175	Standoff	8	832	1 3/4 (44,45)
36832MF200	Standoff	8	832	2 (50,80)



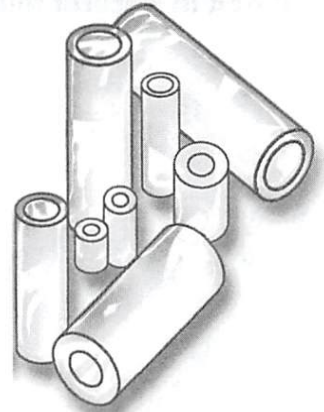
SPACERS

SECTION
V

ITEM NUMBER	DESCRIPTION	OD	ID	LENGTH	SCREW SIZE
13SP000	SP 0	1/8 (3,18)	.063 (1,60)	3/16 (4,76)	0
13SP001	SP 1	3/16 (4,76)	.091 (2,31)	1/8 (3,18)	2
13SP002	SP 2	3/16 (4,76)	.115 (2,92)	1/8 (3,18)	4
13SP003	SP 3	3/16 (4,76)	.091 (2,31)	3/16 (4,76)	2
13SP004	SP 4	3/16 (4,76)	.115 (2,92)	3/16 (4,76)	4
13SP005	SP 5	3/16 (4,76)	.091 (2,31)	1/4 (6,35)	2
13SP006	SP 6	3/16 (4,76)	.115 (2,92)	1/4 (6,35)	4
13SP007	SP 7	3/16 (4,76)	.091 (2,31)	5/16 (7,94)	2
13SP008	SP 8	3/16 (4,76)	.115 (2,92)	5/16 (7,94)	4
13SP009	SP 9	3/16 (4,76)	.091 (2,31)	3/8 (9,53)	2
13SP010	SP 10	3/16 (4,76)	.115 (2,92)	3/8 (9,53)	4
13SP011	SP 11	3/16 (4,76)	.091 (2,31)	7/16 (11,11)	2
13SP012	SP 12	3/16 (4,76)	.115 (2,92)	7/16 (11,11)	4
13SP013	SP 13	3/16 (4,76)	.091 (2,31)	1/2 (12,70)	2
13SP014	SP 14	3/16 (4,76)	.115 (2,92)	1/2 (12,70)	4
13SP015	SP 15	3/16 (4,76)	.091 (2,31)	9/16 (14,29)	2
13SP016	SP 16	3/16 (4,76)	.115 (2,92)	9/16 (14,29)	4
13SP017	SP 17	3/16 (4,76)	.091 (2,31)	5/8 (15,88)	2
13SP018	SP 18	3/16 (4,76)	.115 (2,92)	5/8 (15,88)	4
13SP019	SP 19	3/16 (4,76)	.091 (2,31)	11/16 (17,46)	2
13SP020	SP 20	3/16 (4,76)	.115 (2,92)	11/16 (17,46)	4
13SP021	SP 21	3/16 (4,76)	.091 (2,31)	3/4 (19,05)	2
13SP022	SP 22	3/16 (4,76)	.115 (2,92)	3/4 (19,05)	4
13SP023	SP 23	3/16 (4,76)	.091 (2,31)	13/16 (20,64)	2
13SP024	SP 24	3/16 (4,76)	.115 (2,92)	13/16 (20,64)	4
13SP025	SP 25	3/16 (4,76)	.091 (2,31)	7/8 (22,22)	2
13SP026	SP 26	3/16 (4,76)	.115 (2,92)	7/8 (22,22)	4
13SP027	SP 27	3/16 (4,76)	.091 (2,31)	15/16 (23,81)	2
13SP028	SP 28	3/16 (4,76)	.115 (2,92)	15/16 (23,81)	4
13SP029	SP 29	3/16 (4,76)	.091 (2,31)	1 (25,40)	2
13SP030	SP 30	3/16 (4,76)	.115 (2,92)	1 (25,40)	4
13SP031	SP 31	1/4 (6,35)	.091 (2,31)	1/8 (3,18)	2
13SP032	SP 32	1/4 (6,35)	.115 (2,92)	1/8 (3,18)	4
13SP033	SP 33	1/4 (6,35)	.140 (3,56)	1/8 (3,18)	6
13SP034	SP 34	1/4 (6,35)	.171 (4,34)	1/8 (3,18)	8
13SP035	SP 35	1/4 (6,35)	.091 (2,31)	3/16 (4,76)	2
13SP036	SP 36	1/4 (6,35)	.115 (2,92)	3/16 (4,76)	4
13SP037	SP 37	1/4 (6,35)	.140 (3,56)	3/16 (4,76)	6
13SP038	SP 38	1/4 (6,35)	.171 (4,34)	3/16 (4,76)	8
13SP039	SP 39	1/4 (6,35)	.091 (2,31)	1/4 (6,35)	2
13SP040	SP 40	1/4 (6,35)	.115 (2,92)	1/4 (6,35)	4
13SP041	SP 41	1/4 (6,35)	.140 (3,56)	1/4 (6,35)	6
13SP042	SP 42	1/4 (6,35)	.171 (4,34)	1/4 (6,35)	8
13SP043	SP 43	1/4 (6,35)	.091 (2,31)	5/16 (7,94)	2
13SP044	SP 44	1/4 (6,35)	.115 (2,92)	5/16 (7,94)	4
13SP045	SP 45	1/4 (6,35)	.140 (3,56)	5/16 (7,94)	6
13SP046	SP 46	1/4 (6,35)	.171 (4,34)	5/16 (7,94)	8
13SP047	SP 47	1/4 (6,35)	.091 (2,31)	3/8 (9,53)	2
13SP048	SP 48	1/4 (6,35)	.115 (2,92)	3/8 (9,53)	4
13SP049	SP 49	1/4 (6,35)	.140 (3,56)	3/8 (9,53)	6
13SP050	SP 50	1/4 (6,35)	.171 (4,34)	3/8 (9,53)	8
13SP051	SP 51	1/4 (6,35)	.091 (2,31)	7/16 (11,11)	2
13SP052	SP 52	1/4 (6,35)	.115 (2,92)	7/16 (11,11)	4
13SP053	SP 53	1/4 (6,35)	.140 (3,56)	7/16 (11,11)	6
13SP054	SP 54	1/4 (6,35)	.171 (4,34)	7/16 (11,11)	8

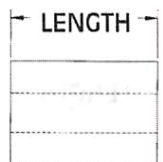
STANDARD SPACERS

Molded in Natural Nylon 6/6



METRIC Sizes Also Available

Page 279



ALL STANDARD NYLON SPACERS CAN BE TAPPED TWO THREAD SIZES LARGER THAN THE SCREW SIZE LISTED.

FOR EXAMPLE:

13SP023 WITH A SCREW SIZE OF 2 CAN BE TAPPED 440 THREAD.

TO ORDER A TAPPED SPACER, SIMPLY ADD A "T" TO THE PART NUMBER.

FOR EXAMPLE:

13SP101 BECOMES 13TSP101



Get quote

Angic Global Solutions

1-888-872-0690

<https://www.AngicGlobal.com> Sales@AngicGlobal.com **INC. 103**

TELEPHONE: (870)

oplastics.com • W

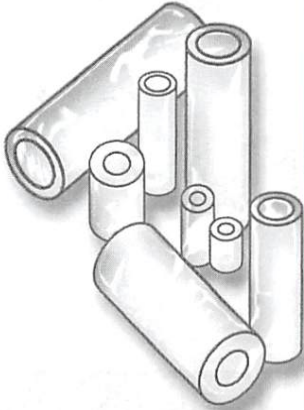
SPACERS

SECTION

V

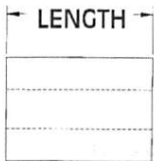
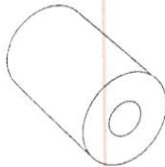
STANDARD SPACERS

Molded in **Natural Nylon 6/6**



**METRIC Sizes
Also Available**

Page 279



ALL STANDARD NYLON SPACERS CAN BE TAPPED TWO THREAD SIZES LARGER THAN THE SCREW SIZE LISTED.

FOR EXAMPLE:

13SP023 WITH A SCREW SIZE OF 2 CAN BE TAPPED 440 THREAD.

TO ORDER A TAPPED SPACER, SIMPLY ADD A "T" TO THE PART NUMBER.

FOR EXAMPLE:

13SP101 BECOMES 13TSP101



ITEM NUMBER	DESCRIPTION	OD	ID	LENGTH	SCREW SIZE
13SP055	SP 55	1/4 (6,35)	.091 (2,31)	1/2 (12,70)	2
13SP056	SP 56	1/4 (6,35)	.115 (2,92)	1/2 (12,70)	4
13SP057	SP 57	1/4 (6,35)	.140 (3,56)	1/2 (12,70)	6
13SP058	SP 58	1/4 (6,35)	.171 (4,34)	1/2 (12,70)	8
13SP059	SP 59	1/4 (6,35)	.091 (2,31)	9/16 (14,29)	2
13SP060	SP 60	1/4 (6,35)	.115 (2,92)	9/16 (14,29)	4
13SP061	SP 61	1/4 (6,35)	.140 (3,56)	9/16 (14,29)	6
13SP062	SP 62	1/4 (6,35)	.171 (4,34)	9/16 (14,29)	8
13SP063	SP 63	1/4 (6,35)	.091 (2,31)	5/8 (15,88)	2
13SP064	SP 64	1/4 (6,35)	.115 (2,92)	5/8 (15,88)	4
13SP065	SP 65	1/4 (6,35)	.140 (3,56)	5/8 (15,88)	6
13SP066	SP 66	1/4 (6,35)	.171 (4,34)	5/8 (15,88)	8
13SP067	SP 67	1/4 (6,35)	.091 (2,31)	11/16 (17,46)	2
13SP068	SP 68	1/4 (6,35)	.115 (2,92)	11/16 (17,46)	4
13SP069	SP 69	1/4 (6,35)	.140 (3,56)	11/16 (17,46)	6
13SP070	SP 70	1/4 (6,35)	.171 (4,34)	11/16 (17,46)	8
13SP071	SP 71	1/4 (6,35)	.091 (2,31)	3/4 (19,05)	2
13SP072	SP 72	1/4 (6,35)	.115 (2,92)	3/4 (19,05)	4
13SP073	SP 73	1/4 (6,35)	.140 (3,56)	3/4 (19,05)	6
13SP074	SP 74	1/4 (6,35)	.171 (4,34)	3/4 (19,05)	8
13SP075	SP 75	1/4 (6,35)	.091 (2,31)	13/16 (20,64)	2
13SP076	SP 76	1/4 (6,35)	.115 (2,92)	13/16 (20,64)	4
13SP077	SP 77	1/4 (6,35)	.140 (3,56)	13/16 (20,64)	6
13SP078	SP 78	1/4 (6,35)	.171 (4,34)	13/16 (20,64)	8
13SP079	SP 79	1/4 (6,35)	.091 (2,31)	7/8 (22,22)	2
13SP080	SP 80	1/4 (6,35)	.115 (2,92)	7/8 (22,22)	4
13SP081	SP 81	1/4 (6,35)	.140 (3,56)	7/8 (22,22)	6
13SP082	SP 82	1/4 (6,35)	.171 (4,34)	7/8 (22,22)	8
13SP083	SP 83	1/4 (6,35)	.091 (2,31)	15/16 (23,81)	2
13SP084	SP 84	1/4 (6,35)	.115 (2,92)	15/16 (23,81)	4
13SP085	SP 85	1/4 (6,35)	.140 (3,56)	15/16 (23,81)	6
13SP086	SP 86	1/4 (6,35)	.171 (4,34)	15/16 (23,81)	8
13SP087	SP 87	1/4 (6,35)	.091 (2,31)	1 (25,40)	2
13SP088	SP 88	1/4 (6,35)	.115 (2,92)	1 (25,40)	4
13SP089	SP 89	1/4 (6,35)	.140 (3,56)	1 (25,40)	6
13SP090	SP 90	1/4 (6,35)	.171 (4,34)	1 (25,40)	8
13SP091	SP 91	5/16 (7,94)	.115 (2,92)	1/8 (3,18)	4
13SP092	SP 92	5/16 (7,94)	.140 (3,56)	1/8 (3,18)	6
13SP093	SP 93	5/16 (7,94)	.171 (4,34)	1/8 (3,18)	8
13SP094	SP 94	5/16 (7,94)	.194 (4,93)	1/8 (3,18)	10
13SP095	SP 95	5/16 (7,94)	.115 (2,92)	3/16 (4,76)	4
13SP096	SP 96	5/16 (7,94)	.140 (3,56)	3/16 (4,76)	6
13SP097	SP 97	5/16 (7,94)	.171 (4,34)	3/16 (4,76)	8
13SP098	SP 98	5/16 (7,94)	.194 (4,93)	3/16 (4,76)	10
13SP099	SP 99	5/16 (7,94)	.115 (2,92)	1/4 (6,35)	4
13SP100	SP 100	5/16 (7,94)	.140 (3,56)	1/4 (6,35)	6
13SP101	SP 101	5/16 (7,94)	.171 (4,34)	1/4 (6,35)	8
13SP102	SP 102	5/16 (7,94)	.194 (4,93)	1/4 (6,35)	10
13SP103	SP 103	5/16 (7,94)	.115 (2,92)	5/16 (7,94)	4
13SP104	SP 104	5/16 (7,94)	.140 (3,56)	5/16 (7,94)	6
13SP105	SP 105	5/16 (7,94)	.171 (4,34)	5/16 (7,94)	8
13SP106	SP 106	5/16 (7,94)	.194 (4,93)	5/16 (7,94)	10
13SP107	SP 107	5/16 (7,94)	.115 (2,92)	3/8 (9,53)	4
13SP108	SP 108	5/16 (7,94)	.140 (3,56)	3/8 (9,53)	6
13SP109	SP 109	5/16 (7,94)	.171 (4,34)	3/8 (9,53)	8

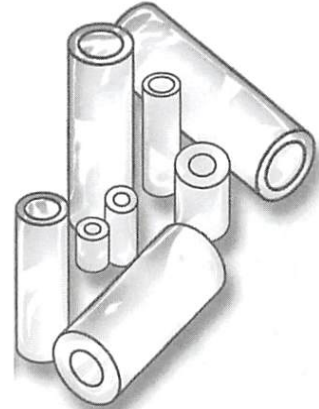
SPACERS

SECTION
V

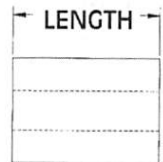
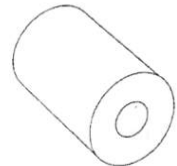
ITEM NUMBER	DESCRIPTION	OD	ID	LENGTH	SCREW SIZE
13SP110	SP110	5/16 (7,94)	.194 (4,93)	3/8 (9,53)	10
13SP111	SP111	5/16 (7,94)	.115 (2,92)	7/16 (11,11)	4
13SP112	SP112	5/16 (7,94)	.140 (3,56)	7/16 (11,11)	6
13SP113	SP113	5/16 (7,94)	.171 (4,34)	7/16 (11,11)	8
13SP114	SP114	5/16 (7,94)	.194 (4,93)	7/16 (11,11)	10
13SP115	SP115	5/16 (7,94)	.115 (2,92)	1/2 (12,70)	4
13SP116	SP116	5/16 (7,94)	.140 (3,56)	1/2 (12,70)	6
13SP117	SP117	5/16 (7,94)	.171 (4,34)	1/2 (12,70)	8
13SP118	SP118	5/16 (7,94)	.194 (4,93)	1/2 (12,70)	10
13SP119	SP119	5/16 (7,94)	.115 (2,92)	9/16 (14,29)	4
13SP120	SP120	5/16 (7,94)	.140 (3,56)	9/16 (14,29)	6
13SP121	SP121	5/16 (7,94)	.171 (4,34)	9/16 (14,29)	8
13SP122	SP122	5/16 (7,94)	.194 (4,93)	9/16 (14,29)	10
13SP123	SP123	5/16 (7,94)	.115 (2,92)	5/8 (15,88)	4
13SP124	SP124	5/16 (7,94)	.140 (3,56)	5/8 (15,88)	6
13SP125	SP125	5/16 (7,94)	.171 (4,34)	5/8 (15,88)	8
13SP126	SP126	5/16 (7,94)	.194 (4,93)	5/8 (15,88)	10
13SP127	SP127	5/16 (7,94)	.115 (2,92)	11/16 (17,46)	4
13SP128	SP128	5/16 (7,94)	.140 (3,56)	11/16 (17,46)	6
13SP129	SP129	5/16 (7,94)	.171 (4,34)	11/16 (17,46)	8
13SP130	SP130	5/16 (7,94)	.194 (4,93)	11/16 (17,46)	10
13SP131	SP131	5/16 (7,94)	.115 (2,92)	3/4 (19,05)	4
13SP132	SP132	5/16 (7,94)	.140 (3,56)	3/4 (19,05)	6
13SP133	SP133	5/16 (7,94)	.171 (4,34)	3/4 (19,05)	8
13SP134	SP134	5/16 (7,94)	.194 (4,93)	3/4 (19,05)	10
13SP135	SP135	5/16 (7,94)	.115 (2,92)	13/16 (20,63)	4
13SP136	SP136	5/16 (7,94)	.140 (3,56)	13/16 (20,63)	6
13SP137	SP137	5/16 (7,94)	.171 (4,34)	13/16 (20,63)	8
13SP138	SP138	5/16 (7,94)	.194 (4,93)	13/16 (20,63)	10
13SP139	SP139	5/16 (7,94)	.115 (2,92)	7/8 (22,22)	4
13SP140	SP140	5/16 (7,94)	.140 (3,56)	7/8 (22,22)	6
13SP141	SP141	5/16 (7,94)	.171 (4,34)	7/8 (22,22)	8
13SP142	SP142	5/16 (7,94)	.194 (4,93)	7/8 (22,22)	10
13SP143	SP143	5/16 (7,94)	.115 (2,92)	15/16 (23,81)	4
13SP144	SP144	5/16 (7,94)	.140 (3,56)	15/16 (23,81)	6
13SP145	SP145	5/16 (7,94)	.171 (4,34)	15/16 (23,81)	8
13SP146	SP146	5/16 (7,94)	.194 (4,93)	15/16 (23,81)	10
13SP147	SP147	5/16 (7,94)	.115 (2,92)	1 (25,40)	4
13SP148	SP148	5/16 (7,94)	.140 (3,56)	1 (25,40)	6
13SP149	SP149	5/16 (7,94)	.171 (4,34)	1 (25,40)	8
13SP150	SP150	5/16 (7,94)	.194 (4,93)	1 (25,40)	10
13SP158	SP158	3/8 (9,53)	.140 (3,56)	1/8 (3,18)	6
13SP159	SP159	3/8 (9,53)	.171 (4,34)	1/8 (3,18)	8
13SP160	SP160	3/8 (9,53)	.194 (4,93)	1/8 (3,18)	10
13SP161	SP161	3/8 (9,53)	.140 (3,56)	3/16 (4,76)	6
13SP162	SP162	3/8 (9,53)	.171 (4,34)	3/16 (4,76)	8
13SP163	SP163	3/8 (9,53)	.194 (4,93)	3/16 (4,76)	10
13SP164	SP164	3/8 (9,53)	.140 (3,56)	1/4 (6,35)	6
13SP165	SP165	3/8 (9,53)	.171 (4,34)	1/4 (6,35)	8
13SP166	SP166	3/8 (9,53)	.194 (4,93)	1/4 (6,35)	10
13SP167	SP167	3/8 (9,53)	.140 (3,56)	5/16 (7,94)	6
13SP168	SP168	3/8 (9,53)	.171 (4,34)	5/16 (7,94)	8
13SP169	SP169	3/8 (9,53)	.194 (4,93)	5/16 (7,94)	10
13SP170	SP170	3/8 (9,53)	.140 (3,56)	3/8 (9,53)	6
13SP171	SP171	3/8 (9,53)	.171 (4,34)	3/8 (9,53)	8

STANDARD SPACERS

Molded in **Natural Nylon 6/6**



METRIC Sizes
Also Available
Page 279



ALL STANDARD NYLON SPACERS CAN BE TAPPED TWO THREAD SIZES LARGER THAN THE SCREW SIZE LISTED.

FOR EXAMPLE:

13SP023 WITH A SCREW SIZE OF 2 CAN BE TAPPED 440 THREAD.

TO ORDER A TAPPED SPACER, SIMPLY ADD A "T" TO THE PART NUMBER.

FOR EXAMPLE:

13SP101 BECOMES 13TSP101

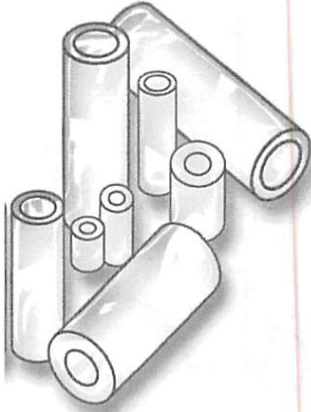


SPACERS

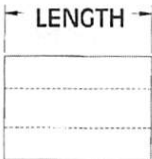
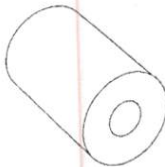
SECTION
V

STANDARD SPACERS

Molded in **Natural Nylon 6/6**



**METRIC Sizes
Also Available**
Page 279



ALL STANDARD NYLON SPACERS CAN BE TAPPED TWO THREAD SIZES LARGER THAN THE SCREW SIZE LISTED.

FOR EXAMPLE:

13SP023 WITH A SCREW SIZE OF 2 CAN BE TAPPED 440 THREAD.

TO ORDER A TAPPED SPACER, SIMPLY ADD A "T" TO THE PART NUMBER.

FOR EXAMPLE:

13SP101 BECOMES 13TSP101



ITEM NUMBER	DESCRIPTION	OD	ID	LENGTH	SCREW SIZE
13SP172	SP172	3/8 (9,53)	.194 (4,93)	3/8 (9,53)	10
13SP173	SP173	3/8 (9,53)	.140 (3,56)	7/16 (11,11)	6
13SP174	SP174	3/8 (9,53)	.171 (4,34)	7/16 (11,11)	8
13SP175	SP175	3/8 (9,53)	.194 (4,93)	7/16 (11,11)	10
13SP176	SP176	3/8 (9,53)	.140 (3,56)	1/2 (12,70)	6
13SP177	SP177	3/8 (9,53)	.171 (4,34)	1/2 (12,70)	8
13SP178	SP178	3/8 (9,53)	.194 (4,93)	1/2 (12,70)	10
13SP179	SP179	3/8 (9,53)	.140 (3,56)	9/16 (14,29)	6
13SP180	SP180	3/8 (9,53)	.171 (4,34)	9/16 (14,29)	8
13SP181	SP181	3/8 (9,53)	.194 (4,93)	9/16 (14,29)	10
13SP182	SP182	3/8 (9,53)	.140 (3,56)	5/8 (15,88)	6
13SP183	SP183	3/8 (9,53)	.171 (4,34)	5/8 (15,88)	8
13SP184	SP184	3/8 (9,53)	.194 (4,93)	5/8 (15,88)	10
13SP185	SP185	3/8 (9,53)	.140 (3,56)	11/16 (17,46)	6
13SP186	SP186	3/8 (9,53)	.171 (4,34)	11/16 (17,46)	8
13SP187	SP187	3/8 (9,53)	.194 (4,93)	11/16 (17,46)	10
13SP188	SP188	3/8 (9,53)	.140 (3,56)	3/4 (19,05)	6
13SP189	SP189	3/8 (9,53)	.171 (4,34)	3/4 (19,05)	8
13SP190	SP190	3/8 (9,53)	.194 (4,93)	3/4 (19,05)	10
13SP191	SP191	3/8 (9,53)	.140 (3,56)	13/16 (20,64)	6
13SP192	SP192	3/8 (9,53)	.171 (4,34)	13/16 (20,64)	8
13SP193	SP193	3/8 (9,53)	.194 (4,93)	13/16 (20,64)	10
13SP194	SP194	3/8 (9,53)	.140 (3,56)	7/8 (22,22)	6
13SP195	SP195	3/8 (9,53)	.171 (4,34)	7/8 (22,22)	8
13SP196	SP196	3/8 (9,53)	.194 (4,93)	7/8 (22,22)	10
13SP197	SP197	3/8 (9,53)	.140 (3,56)	15/16 (23,81)	6
13SP198	SP198	3/8 (9,53)	.171 (4,34)	15/16 (23,81)	8
13SP199	SP199	3/8 (9,53)	.194 (4,93)	15/16 (23,81)	10
13SP200	SP200	3/8 (9,53)	.140 (3,56)	1 (25,40)	6
13SP201	SP201	3/8 (9,53)	.171 (4,34)	1 (25,40)	8
13SP202	SP202	3/8 (9,53)	.194 (4,93)	1 (25,40)	10
13SP203	SP203	1/2 (12,70)	.140 (3,56)	1/8 (3,18)	6
13SP204	SP204	1/2 (12,70)	.171 (4,34)	1/8 (3,18)	8
13SP205	SP205	1/2 (12,70)	.194 (4,93)	1/8 (3,18)	10
13SP206	SP206	1/2 (12,70)	.219 (5,56)	1/8 (3,18)	12
13SP207	SP207	1/2 (12,70)	.260 (6,60)	1/8 (3,18)	1/4
13SP208	SP208	1/2 (12,70)	.140 (3,56)	3/16 (4,76)	6
13SP209	SP209	1/2 (12,70)	.171 (4,34)	3/16 (4,76)	8
13SP210	SP210	1/2 (12,70)	.194 (4,93)	3/16 (4,76)	10
13SP211	SP211	1/2 (12,70)	.219 (5,56)	3/16 (4,76)	12
13SP212	SP212	1/2 (12,70)	.260 (6,60)	3/16 (4,76)	1/4
13SP213	SP213	1/2 (12,70)	.140 (3,56)	1/4 (6,35)	6
13SP214	SP214	1/2 (12,70)	.171 (4,34)	1/4 (6,35)	8
13SP215	SP215	1/2 (12,70)	.194 (4,93)	1/4 (6,35)	10
13SP216	SP216	1/2 (12,70)	.219 (5,56)	1/4 (6,35)	12
13SP217	SP217	1/2 (12,70)	.260 (6,60)	1/4 (6,35)	1/4
13SP218	SP218	1/2 (12,70)	.140 (3,56)	5/16 (7,94)	6
13SP219	SP219	1/2 (12,70)	.171 (4,34)	5/16 (7,94)	8
13SP220	SP220	1/2 (12,70)	.194 (4,93)	5/16 (7,94)	10
13SP221	SP221	1/2 (12,70)	.220 (5,58)	5/16 (7,94)	12
13SP222	SP222	1/2 (12,70)	.257 (6,53)	5/16 (7,94)	1/4
13SP223	SP223	1/2 (12,70)	.140 (3,56)	3/8 (9,53)	6
13SP224	SP224	1/2 (12,70)	.171 (4,34)	3/8 (9,53)	8

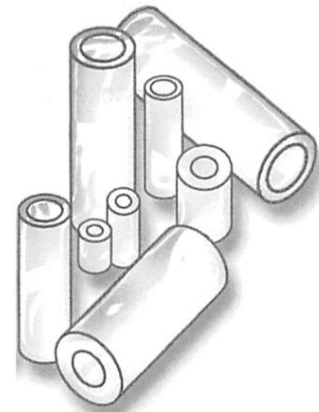
SPACERS

SECTION
V

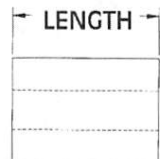
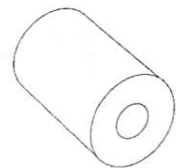
ITEM NUMBER	DESCRIPTION	OD	ID	LENGTH	SCREW SIZE
13SP225	SP225	1/2 (12,70)	.194 (4,93)	3/8 (9,53)	10
13SP226	SP226	1/2 (12,70)	.219 (5,56)	3/8 (9,53)	12
13SP227	SP227	1/2 (12,70)	.257 (6,53)	3/8 (9,53)	1/4
13SP228	SP228	1/2 (12,70)	.140 (3,56)	7/16 (11,11)	6
13SP229	SP229	1/2 (12,70)	.171 (4,34)	7/16 (11,11)	8
13SP230	SP230	1/2 (12,70)	.194 (4,93)	7/16 (11,11)	10
13SP231	SP231	1/2 (12,70)	.219 (5,56)	7/16 (11,11)	12
13SP232	SP232	1/2 (12,70)	.257 (6,53)	7/16 (11,11)	1/4
13SP233	SP233	1/2 (12,70)	.140 (3,56)	1/2 (12,70)	6
13SP234	SP234	1/2 (12,70)	.171 (4,34)	1/2 (12,70)	8
13SP235	SP235	1/2 (12,70)	.194 (4,93)	1/2 (12,70)	10
13SP236	SP236	1/2 (12,70)	.219 (5,56)	1/2 (12,70)	12
13SP237	SP237	1/2 (12,70)	.257 (6,53)	1/2 (12,70)	1/4
13SP238	SP238	1/2 (12,70)	.140 (3,56)	9/16 (14,29)	6
13SP239	SP239	1/2 (12,70)	.171 (4,34)	9/16 (14,29)	8
13SP240	SP240	1/2 (12,70)	.194 (4,93)	9/16 (14,29)	10
13SP241	SP241	1/2 (12,70)	.219 (5,56)	9/16 (14,29)	12
13SP242	SP242	1/2 (12,70)	.257 (6,53)	9/16 (14,29)	1/4
13SP243	SP243	1/2 (12,70)	.140 (3,56)	5/8 (15,88)	6
13SP244	SP244	1/2 (12,70)	.171 (4,34)	5/8 (15,88)	8
13SP245	SP245	1/2 (12,70)	.194 (4,93)	5/8 (15,88)	10
13SP246	SP246	1/2 (12,70)	.219 (5,56)	5/8 (15,88)	12
13SP247	SP247	1/2 (12,70)	.257 (6,53)	5/8 (15,88)	1/4
13SP248	SP248	1/2 (12,70)	.140 (3,56)	11/16 (17,46)	6
13SP249	SP249	1/2 (12,70)	.171 (4,34)	11/16 (17,46)	8
13SP250	SP250	1/2 (12,70)	.194 (4,93)	11/16 (17,46)	10
13SP251	SP251	1/2 (12,70)	.219 (5,56)	11/16 (17,46)	12
13SP252	SP252	1/2 (12,70)	.257 (6,53)	11/16 (17,46)	1/4
13SP253	SP253	1/2 (12,70)	.140 (3,56)	3/4 (19,05)	6
13SP254	SP254	1/2 (12,70)	.171 (4,34)	3/4 (19,05)	8
13SP255	SP255	1/2 (12,70)	.194 (4,93)	3/4 (19,05)	10
13SP256	SP256	1/2 (12,70)	.219 (5,56)	3/4 (19,05)	12
13SP257	SP257	1/2 (12,70)	.260 (6,60)	3/4 (19,05)	1/4
13SP258	SP258	1/2 (12,70)	.140 (3,56)	13/16 (20,64)	6
13SP259	SP259	1/2 (12,70)	.171 (4,34)	13/16 (20,64)	8
13SP260	SP260	1/2 (12,70)	.194 (4,93)	13/16 (20,64)	10
13SP261	SP261	1/2 (12,70)	.219 (5,56)	13/16 (20,64)	12
13SP262	SP262	1/2 (12,70)	.260 (6,60)	13/16 (20,64)	1/4
13SP263	SP263	1/2 (12,70)	.140 (3,56)	7/8 (22,22)	6
13SP264	SP264	1/2 (12,70)	.171 (4,34)	7/8 (22,22)	8
13SP265	SP265	1/2 (12,70)	.194 (4,93)	7/8 (22,22)	10
13SP266	SP266	1/2 (12,70)	.219 (5,56)	7/8 (22,22)	12
13SP267	SP267	1/2 (12,70)	.260 (6,60)	7/8 (22,22)	1/4
13SP268	SP268	1/2 (12,70)	.140 (3,56)	15/16 (23,81)	6
13SP269	SP269	1/2 (12,70)	.171 (4,34)	15/16 (23,81)	8
13SP270	SP270	1/2 (12,70)	.194 (4,93)	15/16 (23,81)	10
13SP271	SP271	1/2 (12,70)	.219 (5,56)	15/16 (23,81)	12
13SP272	SP272	1/2 (12,70)	.257 (6,53)	15/16 (23,81)	1/4
13SP273	SP273	1/2 (12,70)	.140 (3,56)	1 (25,40)	6
13SP274	SP274	1/2 (12,70)	.171 (4,34)	1 (25,40)	8
13SP275	SP275	1/2 (12,70)	.194 (4,93)	1 (25,40)	10
13SP276	SP276	1/2 (12,70)	.219 (5,56)	1 (25,40)	12
13SP277	SP277	1/2 (12,70)	.257 (6,53)	1 (25,40)	1/4

STANDARD SPACERS

Molded in **Natural Nylon 6/6**



METRIC Sizes
Also Available
Page 279



ALL STANDARD NYLON SPACERS CAN BE TAPPED TWO THREAD SIZES LARGER THAN THE SCREW SIZE LISTED.

FOR EXAMPLE:

13SP023 WITH A SCREW SIZE OF 2 CAN BE TAPPED 440 THREAD.

TO ORDER A TAPPED SPACER, SIMPLY ADD A "T" TO THE PART NUMBER.

FOR EXAMPLE:

13SP101 BECOMES 13TSP101



SPACERS

SECTION

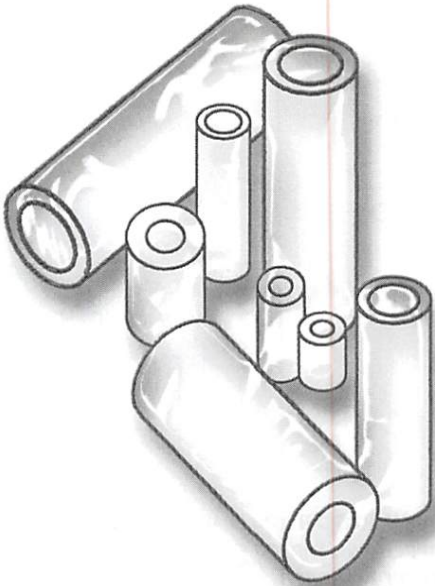
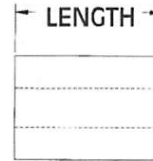
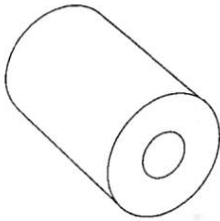
V

STANDARD LONG SPACERS

Molded in **Natural Nylon 6/6**

Tough and resilient, nylon spacers are useful for many applications. Ideal for use in electrical and electronic assemblies, they also can be used as bushings, bearings, rollers, and glides. Molded from corrosion resistant Type 66 Nylon, all parts are available on short delivery from standard tooling. Samples for testing are available but

NOT ALL SIZES are in stock. Special sizes and lengths at a slight extra tooling charge. Parts are stocked in Nylon 6/6 UL 94V2 Parts can be furnished in: Acetal, Resin TICONA Celcon M-90 UL 94HB



ITEM NUMBER	DESCRIPTION	OD	ID	LENGTH
13SP300	SP 300	1/4 (6,35)	.115 (2,92)	1 -1/16 (27,00)
13SP301	SP 301	1/4 (6,35)	.140 (3,56)	1 -1/16 (27,00)
13SP304	SP 304	1/4 (6,35)	.115 (2,92)	1-1/8 (28,58)
13SP305	SP 305	1/4 (6,35)	.140 (3,56)	1-1/8 (28,58)
13SP308	SP 308	1/4 (6,35)	.115 (2,92)	1-3/16 (30,18)
13SP309	SP 309	1/4 (6,35)	.140 (3,56)	1-3/16 (30,18)
13SP312	SP 312	1/4 (6,35)	.115 (2,92)	1-1/4 (31,75)
13SP313	SP 313	1/4 (6,35)	.140 (3,56)	1-1/4 (31,75)
13SP316	SP 316	1/4 (6,35)	.115 (2,92)	1-5/16 (33,35)
13SP317	SP 317	1/4 (6,35)	.140 (3,56)	1-5/16 (33,35)
13SP320	SP 320	1/4 (6,35)	.115 (2,92)	1-3/8 (34,93)
13SP321	SP 321	1/4 (6,35)	.140 (3,56)	1-3/8 (34,93)
13SP324	SP 324	1/4 (6,35)	.115 (2,92)	1-7/16 (36,53)
13SP325	SP 325	1/4 (6,35)	.140 (3,56)	1-7/16 (36,53)
13SP328	SP 328	1/4 (6,35)	.115 (2,92)	1-1/2 (38,10)
13SP329	SP 329	1/4 (6,35)	.140 (3,56)	1-1/2 (38,10)
13SP335	SP 335	5/16 (7,94)	.115 (2,92)	1-1/16 (27,00)
13SP336	SP 336	5/16 (7,94)	.140 (3,56)	1-1/16 (27,00)
13SP337	SP 337	5/16 (7,94)	.171 (4,34)	1-1/16 (27,00)
13SP338	SP 338	5/16 (7,94)	.194 (4,93)	1-1/16 (27,00)
13SP339	SP 339	5/16 (7,94)	.115 (2,92)	1-1/8 (28,58)
13SP340	SP 340	5/16 (7,94)	.140 (3,56)	1-1/8 (28,58)
13SP341	SP 341	5/16 (7,94)	.171 (4,34)	1-1/8 (28,58)
13SP342	SP 342	5/16 (7,94)	.194 (4,93)	1-1/8 (28,58)
13SP343	SP 343	5/16 (7,94)	.115 (2,92)	1-3/16 (30,18)
13SP344	SP 344	5/16 (7,94)	.140 (3,56)	1-3/16 (30,18)
13SP345	SP 345	5/16 (7,94)	.171 (4,34)	1-3/16 (30,18)
13SP346	SP 346	5/16 (7,94)	.194 (4,93)	1-3/16 (30,18)
13SP347	SP 347	5/16 (7,94)	.115 (2,92)	1-1/4 (31,75)
13SP348	SP 348	5/16 (7,94)	.140 (3,56)	1-1/4 (31,75)
13SP349	SP 349	5/16 (7,94)	.171 (4,34)	1-1/4 (31,75)
13SP350	SP 350	5/16 (7,94)	.194 (4,93)	1-1/4 (31,75)
13SP351	SP 351	5/16 (7,94)	.115 (2,92)	1-5/16 (33,35)
13SP352	SP 352	5/16 (7,94)	.140 (3,56)	1-5/16 (33,35)
13SP353	SP 353	5/16 (7,94)	.171 (4,34)	1-5/16 (33,35)
13SP354	SP 354	5/16 (7,94)	.194 (4,93)	1-5/16 (33,35)



SPACERS

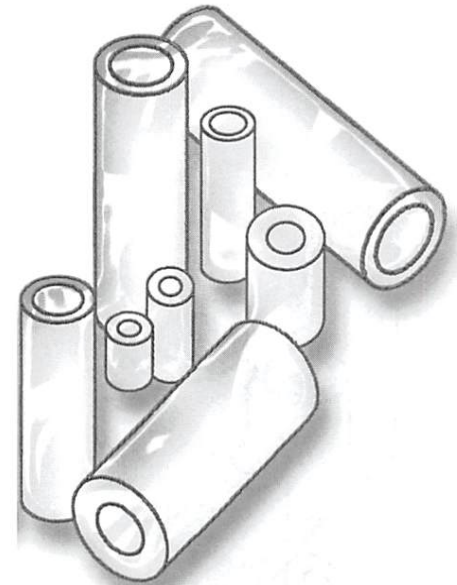
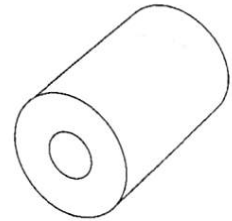
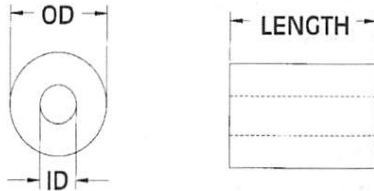
SECTION
V

STANDARD LONG SPACERS

Molded in **Natural Nylon 6/6**

Tough and resilient, nylon spacers are useful for many applications. Ideal for use in electrical and electronic assemblies, they also can be used as bushings, bearings, rollers, and glides. Molded from corrosion resistant Type 66 Nylon, all parts are available on short delivery from standard tooling. Samples for testing are available but

NOT ALL SIZES are in stock. Special sizes and lengths at a slight extra tooling charge. Parts are stocked in Nylon 6/6 UL 94V2 Parts can be furnished in: Acetal, Resin TICONA Celcon M-90 UL 94HB



ITEM NUMBER	DESCRIPTION	OD	ID	LENGTH
13SP355	SP 355	5/16 (7,94)	.115 (2,92)	1-3/8 (34,93)
13SP356	SP 356	5/16 (7,94)	.140 (3,56)	1-3/8 (34,93)
13SP357	SP 357	5/16 (7,94)	.171 (4,34)	1-3/8 (34,93)
13SP358	SP 358	5/16 (7,94)	.194 (4,93)	1-3/8 (34,93)
13SP359	SP 359	5/16 (7,94)	.115 (2,92)	1-7/16 (36,53)
13SP360	SP 360	5/16 (7,94)	.140 (3,56)	1-7/16 (36,53)
13SP361	SP 361	5/16 (7,94)	.171 (4,34)	1-7/16 (36,53)
13SP362	SP 362	5/16 (7,94)	.194 (4,93)	1-7/16 (36,53)
13SP363	SP 363	5/16 (7,94)	.115 (2,92)	1-1/2 (38,10)
13SP364	SP 364	5/16 (7,94)	.140 (3,56)	1-1/2 (38,10)
13SP365	SP 365	5/16 (7,94)	.171 (4,34)	1-1/2 (38,10)
13SP366	SP 366	5/16 (7,94)	.194 (4,93)	1-1/2 (38,10)
13SP372	SP 372	3/8 (9,53)	.140 (3,56)	1-1/16 (27,00)
13SP373	SP 373	3/8 (9,53)	.171 (4,34)	1-1/16 (27,00)
13SP374	SP 374	3/8 (9,53)	.194 (4,93)	1-1/16 (27,00)
13SP375	SP 375	3/8 (9,53)	.140 (3,56)	1-1/8 (28,58)
13SP376	SP 376	3/8 (9,53)	.171 (4,34)	1-1/8 (28,58)
13SP377	SP 377	3/8 (9,53)	.194 (4,93)	1-1/8 (28,58)
13SP378	SP 378	3/8 (9,53)	.140 (3,56)	1-3/16 (30,18)
13SP379	SP 379	3/8 (9,53)	.171 (4,34)	1-3/16 (30,18)
13SP380	SP 380	3/8 (9,53)	.194 (4,93)	1-3/16 (30,18)
13SP381	SP 381	3/8 (9,53)	.140 (3,56)	1-1/4 (31,75)
13SP382	SP 382	3/8 (9,53)	.171 (4,34)	1-1/4 (31,75)
13SP383	SP 383	3/8 (9,53)	.194 (4,93)	1-1/4 (31,75)
13SP384	SP 384	3/8 (9,53)	.140 (3,56)	1-5/16 (33,35)
13SP385	SP 385	3/8 (9,53)	.171 (4,34)	1-5/16 (33,35)
13SP386	SP 386	3/8 (9,53)	.194 (4,93)	1-5/16 (33,35)
13SP387	SP 387	3/8 (9,53)	.140 (3,56)	1-3/8 (34,93)
13SP388	SP 388	3/8 (9,53)	.171 (4,34)	1-3/8 (34,93)
13SP389	SP 389	3/8 (9,53)	.194 (4,93)	1-3/8 (34,93)
13SP390	SP 390	3/8 (9,53)	.140 (3,56)	1-7/16 (36,53)
13SP391	SP 391	3/8 (9,53)	.171 (4,34)	1-7/16 (36,53)
13SP392	SP 392	3/8 (9,53)	.194 (4,93)	1-7/16 (36,53)
13SP393	SP 393	3/8 (9,53)	.140 (3,56)	1-1/2 (38,10)
13SP394	SP 394	3/8 (9,53)	.171 (4,34)	1-1/2 (38,10)
13SP395	SP 395	3/8 (9,53)	.194 (4,93)	1-1/2 (38,10)



Get quote »

Angic Global Solutions

1-888-872-0690

TELEPHONE: (870) 45

elastics.com • WEB <https://www.AngicGlobal.com> Sales@AngicGlobal.com NC. 109

SPACERS

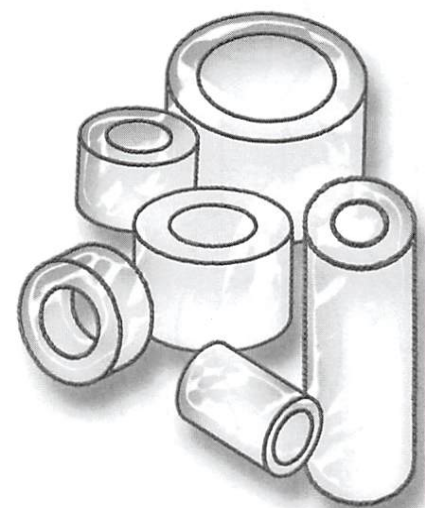
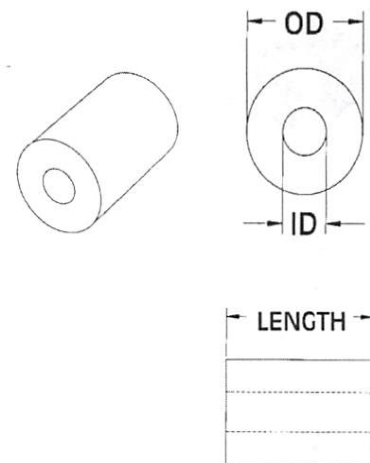
SECTION
V

ITEM NUMBER	DESCRIPTION	OD	ID	LENGTH
13RS012504	RS 12504	.125 (3,18)	.047 (1,19)	3/8 (9,53)
13RS012505	RS 12505	.125 (3,17)	.067 (1,70)	.375 (9,52)
13RS014528	RS 14528	.148 (3,76)	.085 (2,16)	.280 (7,11)
13RS014529	RS 14529	.125 (3,18)	.047 (1,19)	.187 (4,75)
13RS014530	RS 14530	.150 (3,81)	.078 (1,98)	5/16 (7,94)
13RS014531	RS 14531	.138 (3,50)	.038 (0,97)	.125 (3,17)
13RS014532	RS 14532	.156 (3,96)	.063 (1,60)	.120 (3,05)
13RS014533	RS 14533	.138 (3,51)	.038 (0,97)	.065 (1,65)
13RS014534	RS 14534	.125 (3,18)	.069 (1,75)	.203 (5,16)
13RS014535	RS 14535	.085 (2,16)	.032 (0,81)	.300 (7,62)
13RS014536S	RS 14536	.144 (3,65)	.078 (1,98)	.145 (3,68)
13RS015721	RS 15721	.157 (3,99)	.102 (2,59)	.217 (5,51)
13RS016040	RS 16040	.160 (4,06)	.100 (2,54)	13/32 (10,32)
13RS018020	RS 18020	.192 (4,89)	.093 (2,36)	13/64 (5,16)
13RS018711	RS 18711	.187 (4,75)	.063 (1,60)	.400 (10,16)
13RS018712	RS 18712	.187 (4,74)	.091 (2,31)	.423 (10,74)
13RS018713	RS 18713	.188 (4,77)	.091 (2,31)	.275 (6,99)
13RS018714	RS 18714	.188 (4,77)	.09 (2,29)	.52 (13,21)
13RS018715	RS 18715	.187 (4,75)	.067 (1,70)	9/64 (3,58)
13RS018716	RS 18716	.187 (4,75)	.064 (1,63)	.187 (4,75)
13RS018720	RS 18720	.187 (4,75)	.096 (2,44)	5/32 (3,97)
13RS018721	RS 18721	.187 (4,75)	.063 (1,60)	.200 (5,08)
13RS018722	RS 18722	3/16 (4,76)	.115 (2,92)	9/32 (7,14)
13RS018723	RS 18723	.187 (4,75)	.062 (1,57)	.310 (7,87)
13RS018724	RS 18724	.200 (5,08)	.118 (3,00)	.203 (5,16)
13RS018725	RS 18725	.187 (4,75)	.120 (3,05)	5/16 (7,94)
13RS018726	RS 18726	.187 (4,75)	.135 (3,43)	1/4 (6,35)
13RS018727	RS 18727	.197 (5,00)	.118 (3,00)	.108 (2,74)
13RS018728	RS 18728	.188 (4,78)	.115 (2,92)	.216 (5,49)
13RS018729	RS 18729	.156 (3,96)	.094 (2,39)	.140 (3,56)
13RS018730	RS 18730	.187 (4,75)	.120 (3,05)	11/32 (8,71)
13RS018735	RS 18735	.187 (4,75)	.122 (3,10)	7/16 (11,11)
13RS018784	RS 18784	.187 (4,75)	.104 (2,64)	.421 (10,69)
13RS018785	RS 18785	.187 (4,75)	.091 (2,31)	27/32 (21,41)
13RS018790	RS 18790	.187 (4,75)	.091 (2,31)	13/64 (13,87)
13RS019330	RS 19330	.193 (4,90)	.125 (3,18)	1/4 (6,35)
13RS020030	RS 20030	.200 (5,08)	.145 (3,68)	11/64 (4,37)
13RS020031	RS 20031	.200 (5,08)	.145 (3,68)	.110 (2,79)
13RS020032	RS 20032	.198 (5,03)	.109 (2,77)	.345 (8,76)
13RS020313	RS 20313	.203 (5,16)	.130 (3,30)	9/32 (7,14)
13RS021025	RS 21025	.210 (5,33)	.156 (3,96)	.250 (6,35)
13RS021026	RS 21026	.217 (5,51)	.147 (3,73)	.230 (5,84)
13RS021337	RS 21337	.218 (5,54)	.125 (3,18)	.385 (9,78)
13RS021535	RS 21535	.215 (5,46)	.145 (3,68)	21/64 (8,33)
13RS021830	RS 21830	.218 (5,54)	.140 (3,56)	5/32 (3,97)
13RS022013	RS 22013	.220 (5,59)	.138 (3,50)	21/32 (16,66)
13RS023631	RS 23631	.236 (5,99)	.118 (2,99)	.315 (8,00)
13RS024014	RS 24014	.245 (6,22)	.175 (4,45)	5/32 (3,97)
13RS024015	RS 24015	.245 (6,22)	.175 (4,45)	.166 (4,22)
13RS025009	RS 25009	.250 (6,35)	.195 (4,95)	.195 (4,95)
13RS025010	RS 25010	.250 (6,35)	.153 (3,89)	.250 (6,35)
13RS025011	RS 25011	.250 (6,35)	.171 (4,34)	.413 (10,49)
13RS025012	RS 25012	.250 (6,35)	.126 (3,20)	51/64 (20,22)
13RS025013	RS 25013	.250 (6,35)	.171 (4,34)	.355 (9,02)
13RS025014	RS 25014	.250 (6,35)	.125 (3,18)	.823 (20,90)
13RS025015	RS 25015	.250 (6,35)	.166 (4,22)	1/2 (12,70)
13RS025016	RS 25016	.250 (6,35)	.188 (4,78)	.188 (4,78)
13RS025017	RS 25017	.254 (6,45)	.150 (3,81)	.166 (4,26)
13RS025018	RS 25018	.250 (6,35)	.171 (4,34)	.575 (14,61)



SPECIAL SPACERS

Molded in **Natural Nylon 6/6**



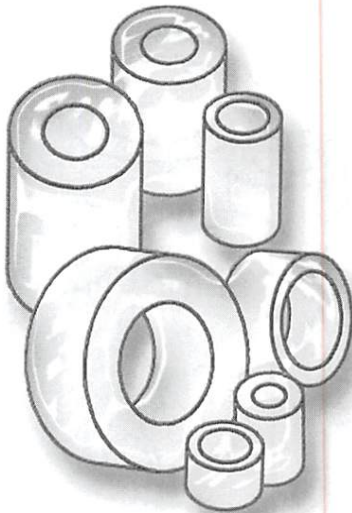
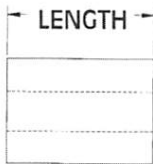
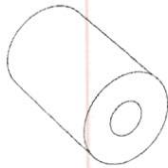
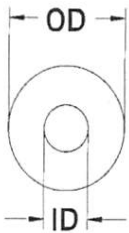
SPACERS

SECTION

V

SPECIAL SPACERS

Molded in Natural Nylon 6/6



ITEM NUMBER	DESCRIPTION	OD		ID		LENGTH	
13RS025019	RS 25019	.250	(6,35)	.171	(4,34)	.475	(12,07)
13RS025020	RS 25020	.250	(6,35)	.205	(5,21)	.230	(5,84)
13RS025021	RS 25021	.250	(6,35)	.125	(3,18)	.375	(9,53)
13RS025022	RS 25022	.252	(6,40)	.132	(3,35)	.532	(13,51)
13RS025023	RS 25023	.250	(6,35)	.134	(3,40)	.296	(7,51)
13RS025024	RS 25024	.250	(6,35)	.131	(3,32)	.347	(8,81)
13RS025025	RS 25025	.250	(6,35)	.205	(5,20)	.245	(6,22)
13RS025041	RS 25041	.250	(6,35)	.120	(3,05)	.389	(9,88)
13RS025042	RS 25042	.250	(6,35)	.125	(3,18)	.420	(10,67)
13RS025043	RS 25043	.250	(6,35)	.142	(3,61)	.410	(10,41)
13RS025044	RS 25044	.250	(6,35)	.098	(2,48)	.250	(6,35)
13RS025048	RS 25048	.250	(6,35)	.115	(2,92)	7/32	(5,55)
13RS025050	RS 25050	.250	(6,35)	.147	(3,73)	19/64	(7,52)
13RS025051	RS 25051	.250	(6,35)	.171	(4,34)	.334	(8,48)
13RS025052	RS 25052	.250	(6,35)	.147	(3,73)	.500	(12,70)
13RS025053	RS 25053	.250	(6,35)	.140	(3,56)	17/32	(13,49)
13RS025054	RS 25054	.250	(6,35)	.173	(4,39)	.281	(7,13)
13RS025055	RS 25055	.250	(6,35)	.140	(3,56)	35/64	(13,87)
13RS025056	RS 25056	.250	(6,35)	.140	(3,56)	.640	(16,26)
13RS025057	RS 25057	.250	(6,35)	.171	(4,34)	.375	(9,53)
13RS025058	RS 25058	.250	(6,35)	.140	(3,56)	.220	(5,59)
13RS025059	RS 25059	.250	(6,35)	.140	(3,55)	.210	(5,33)
13RS025062	RS 25062	.260	(6,60)	.200	(5,08)	19/32	(15,08)
13RS025063	RS 25063	.265	(6,73)	.200	(5,08)	.296	(7,51)
13RS025065	RS 25065	.250	(6,35)	.160	(4,06)	.750	(19,05)
13RS025066	RS 25066	.260	(6,60)	.200	(5,08)	.556	(14,12)
13RS025070	RS 25070	.250	(6,35)	.141	(3,58)	9/32	(7,14)
13RS025075	RS 25075	.250	(6,35)	.115	(2,92)	.207	(5,26)
13RS025090	RS 25090	.250	(6,35)	.115	(2,92)	1-5/16	(33,32)
13RS025091	RS 25091	.251	(6,38)	.152	(3,86)	5/32	(3,97)
13RS025092	RS 25092	.250	(6,35)	.150	(3,81)	.345	(8,76)
13RS025095	RS 25095	.251	(6,38)	.115	(2,92)	17/32	(13,49)
13RS027540	RS 27540	.275	(6,99)	.195	(4,95)	.40	(10,16)
13RS027541	RS 27541	.275	(6,99)	.185	(4,70)	.090	(2,29)
13RS028030	RS 28030	.280	(7,11)	.170	(4,32)	.300	(7,62)
13RS028035	RS 28035	.281	(7,13)	.208	(5,28)	.187	(4,74)
13RS028038	RS 28038	.280	(7,11)	.125	(3,18)	19/64	(7,54)
13RS028039	RS 28039	.280	(7,11)	.130	(3,30)	.296	(7,51)
13RS028440	RS 28440	.284	(7,21)	.224	(5,69)	.400	(10,16)
13RS029618	RS 29618	.296	(7,52)	.125	(3,18)	3/32	(2,38)
13RS030500	RS 30500	.305	(7,75)	.260	(6,60)	.179	(4,55)
13RS030501	RS 30501	.303	(7,69)	.250	(6,35)	.312	(7,92)
13RS030502	RS 30502	.302	(7,67)	.152	(3,86)	.206	(5,23)
13RS030503	RS 30503	.300	(7,62)	.175	(4,44)	.197	(5,00)
13RS031210	RS 31210	.312	(7,93)	.095	(2,41)	1/4	(6,35)
13RS031211	RS 31211	.312	(7,93)	.194	(4,93)	1.405	(35,68)
13RS031212	RS 31212	.312	(7,93)	.194	(4,93)	.530	(13,46)
13RS031213	RS 31213	.312	(7,93)	.205	(5,21)	.160	(4,06)
13RS031214	RS 31214	.312	(7,93)	.140	(3,56)	9/32	(7,14)
13RS031215	RS 31215	.309	(7,85)	.200	(5,08)	.346	(8,79)
13RS031216	RS 31216	.312	(7,92)	.194	(4,92)	.228	(5,79)
13RS031221	RS 31221	.312	(7,93)	.195	(4,95)	.214	(5,44)
13RS031222	RS 31222	.309	(7,85)	.225	(5,72)	.280	(7,11)
13RS031223	RS 31223	.315	(8,00)	.118	(2,99)	.236	(5,99)
13RS031225	RS 31225	.312	(7,93)	.156	(3,96)	.256	(6,50)
13RS031226	RS 31226	5/16	(7,94)	.228	(5,79)	.260	(6,60)
13RS031230	RS 31230	.312	(7,93)	.246	(6,25)	1/4	(6,35)
13RS031231	RS 31231	.312	(7,92)	.194	(4,92)	.590	(14,45)
13RS031242	RS 31242	.315	(8,00)	.182	(4,62)	.430	(10,92)



SPACERS

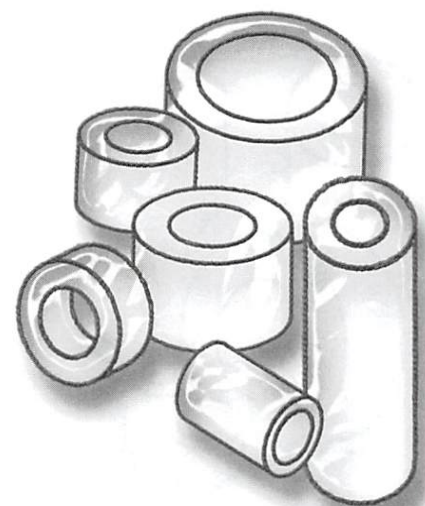
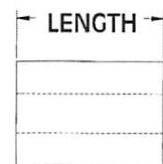
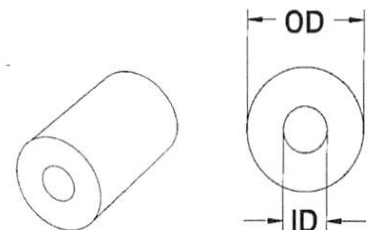
SECTION
V

ITEM NUMBER	DESCRIPTION	OD	ID	LENGTH
13RS031243	RS 31243	5/16 (7,94)	.171 (4,34)	2-7/16 (61,93)
13RS031244	RS 31244	.312 (7,93)	.194 (4,93)	1.155 (29,33)
13RS031245	RS 31245	.312 (7,93)	.195 (4,95)	.355 (9,02)
13RS031246	RS 31246	.312 (7,93)	.140 (3,56)	.200 (5,08)
13RS031247	RS 31247	5/16 (7,94)	7/32 (5,54)	13/16 (20,64)
13RS031248	RS 31248	.312 (7,92)	.218 (5,54)	.875 (22,22)
13RS031249	RS 31249	.312 (7,92)	.194 (4,93)	2.000 (50,80)
13RS031250	RS 31250	.312 (7,93)	.246 (6,25)	.495 (12,57)
13RS031251	RS 31251	.312 (7,93)	.171 (4,34)	1-7/8 (47,63)
13RS031252	RS 31252	.480 (12,19)	.345 (8,76)	3/16 (4,75)
13RS031253	RS 31253	.313 (7,95)	.187 (4,75)	.171 (4,34)
13RS031254	RS 31254	5/16 (7,94)	.171 (4,34)	.671 (17,04)
13RS031255	RS 31255	.320 (8,13)	.215 (5,46)	.220 (5,59)
13RS031256	RS 31256	.325 (8,26)	.125 (3,18)	.360 (9,14)
13RS031257	RS 31257	5/16 (7,94)	.175 (4,45)	.154 (3,91)
13RS031258	RS 31258	.312 (7,93)	.225 (5,72)	7/16 (11,11)
13RS031259	RS 31259	.320 (8,13)	.257 (6,53)	.505 (12,83)
13RS031260	RS 31260	.313 (7,95)	.250 (6,35)	.630 (16,00)
13RS031261	RS 31261	.329 (8,35)	.272 (6,90)	.312 (7,92)
13RS031339	RS 31339	.313 (7,95)	.195 (4,95)	.385 (9,78)
13RS031640	RS 31640	.316 (8,03)	.188 (4,78)	13/64 (5,16)
13RS031641	RS 31641	.250 (6,35)	.120 (3,05)	.200 (5,08)
13RS031830	RS 31830	.313 (7,95)	.189 (4,80)	19/64 (7,54)
13RS034001	RS 34001	.340 (8,64)	.280 (7,11)	.310 (7,87)
13RS034002	RS 34002	11/32 (8,74)	.198 (5,03)	.281 (7,14)
13RS034003	RS 34003	.340 (8,64)	.280 (7,11)	1/2 (12,70)
13RS034004	RS 34004	.355 (9,02)	.255 (6,48)	.130 (3,30)
13RS034005	RS 34005	.340 (8,64)	.279 (7,09)	.278 (7,06)
13RS034006	RS 34006	.343 (8,71)	.218 (5,53)	.625 (15,87)
13RS034007	RS 34007	.348 (8,83)	.290 (7,36)	.312 (7,92)
13RS034008	RS 34008	.343 (8,71)	.281 (7,13)	.312 (7,92)
13RS035453	RS 35453	.354 (8,99)	.172 (4,37)	.531 (13,49)
13RS036031	RS 36031	.360 (9,14)	.316 (8,03)	1/4 (6,35)
13RS036032	RS 36032	.360 (9,14)	.252 (6,40)	.425 (10,80)
13RS036033	RS 36033	.350 (8,89)	.200 (5,08)	.400 (10,16)
13RS036034	RS 36034	.363 (9,22)	.312 (7,92)	.312 (7,92)
13RS037030	RS 37030	.370 (9,40)	.265 (6,73)	5/32 (3,96)
13RS037031	RS 37031	.375 (9,53)	.254 (6,45)	.453 (11,51)
13RS037032	RS 37032	.372 (9,53)	.288 (7,32)	.969 (24,61)
13RS037033	RS 37033	3/8 (9,45)	.315 (8,00)	.162 (4,11)
13RS037034	RS 37034	.372 (9,45)	.314 (7,98)	.449 (11,40)
13RS037035	RS 37035	.375 (9,52)	.218 (5,53)	.469 (11,91)
13RS037041	RS 37041	.370 (9,40)	.194 (4,93)	.418 (10,62)
13RS037441	RS 37441	.374 (9,53)	.248 (6,30)	13/32 (10,32)
13RS037512	RS 37512	.375 (9,52)	.194 (4,92)	.184 (4,67)
13RS037513	RS 37513	.375 (9,53)	.194 (4,93)	.340 (8,64)
13RS037514	RS 37514	.376 (9,55)	.175 (4,45)	.150 (3,81)
13RS037515	RS 37515	.375 (9,53)	.219 (5,56)	5/32 (3,96)
13RS037516	RS 37516	.375 (9,53)	.252 (6,40)	.820 (20,83)
13RS037517	RS 37517	.375 (9,53)	.219 (5,56)	11/64 (4,36)
13RS037518	RS 37518	.375 (9,53)	.252 (6,40)	3/16 (4,75)
13RS037519	RS 37519	.380 (9,65)	.171 (4,34)	.275 (6,98)
13RS037520	RS 37520	.375 (9,53)	.219 (5,56)	13/64 (5,16)
13RS037521	RS 37521	.375 (9,53)	.218 (5,54)	7/16 (11,11)
13RS037522	RS 37522	.375 (9,53)	.220 (5,59)	3/8 (9,53)
13RS037523	RS 37523	3/8 (9,53)	.257 (6,53)	1/4 (6,35)
13RS037525	RS 37525	.375 (9,53)	.225 (5,72)	.250 (6,35)
13RS037534	RS 37534	.375 (9,53)	.140 (3,56)	11/32 (8,73)
13RS037536	RS 37536	.375 (9,53)	.255 (6,48)	.330 (8,38)

SPECIAL SPACERS

Molded in **Natural Nylon 6/6**

**New
SIZES**



Get quote »

TELEPHONE: (870) 432-1111

www.Angic.com • WEE

Angic Global Solutions

1-888-872-0690

<https://www.AngicGlobal.com> Sales@AngicGlobal.com **NC. 113**

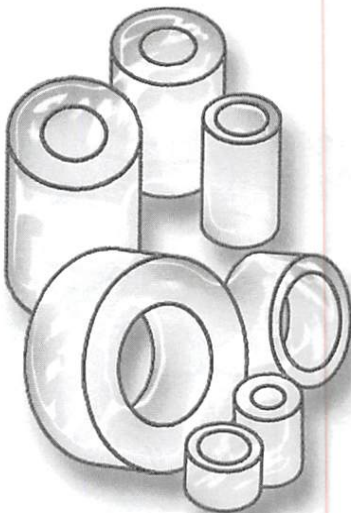
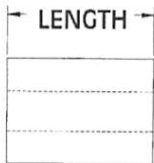
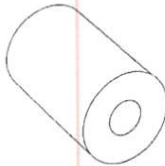
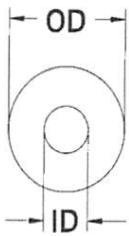
SPACERS

SECTION

V

SPECIAL SPACERS

Molded in Natural Nylon 6/6



ITEM NUMBER	DESCRIPTION	OD	ID	LENGTH
13RS037537	RS 37537	.374 (9,50)	.255 (6,48)	.511 (12,98)
13RS037538	RS 37538	.375 (9,53)	.255 (6,48)	.380 (9,65)
13RS037542	RS 37542	.375 (9,53)	.265 (6,73)	1/4 (6,35)
13RS037546	RS 37546	.375 (9,53)	.094 (2,39)	9/32 (7,14)
13RS037547	RS 37547	.375 (9,53)	.203 (5,16)	17/64 (6,74)
13RS037548	RS 37548	.375 (9,53)	.203 (5,16)	7/64 (2,78)
13RS037550	RS 37550	.375 (9,53)	.252 (6,40)	3/8 (9,53)
13RS037552	RS 37552	.375 (9,53)	.265 (6,73)	3/8 (9,53)
13RS037558	RS 37558	.375 (9,55)	.250 (6,35)	.630 (16,00)
13RS037559	RS 37559	.375 (9,53)	.250 (6,35)	.593 (15,06)
13RS037565	RS 37565	.375 (9,53)	.265 (6,73)	1/2 (12,70)
13RS037570	RS 37570	.375 (9,53)	.140 (3,56)	.700 (17,78)
13RS037571	RS 37571	.375 (9,53)	.255 (6,48)	.700 (17,78)
13RS037574	RS 37574	.375 (9,52)	.250 (6,35)	.859 (21,81)
13RS037575	RS 37575	.375 (9,53)	.265 (6,73)	7/8 (22,22)
13RS037580	RS 37580	.375 (9,53)	.265 (6,73)	1 (25,40)
13RS037585	RS 37585	.375 (9,53)	.257 (6,53)	1-1/4 (31,75)
13RS037586	RS 37586	.375 (9,53)	.165 (4,19)	2.000 (50,80)
13RS037590	RS 37590	.375 (9,53)	.265 (6,73)	3/4 (19,05)
13RS037591	RS 37591	.375 (9,53)	.140 (3,56)	.725 (18,42)
13RS037598	RS 37598	.375 (9,53)	.115 (2,92)	1-1/16 (27,00)
13RS037599	RS 37599	.375 (9,53)	.230 (5,84)	.925 (23,50)
13RS038035	RS 38035	.385 (9,77)	.285 (7,23)	.325 (8,25)
13RS038036	RS 38036	.384 (9,75)	.328 (8,33)	.312 (7,92)
13RS038037	RS 38037	.380 (9,65)	.250 (6,35)	.440 (11,18)
13RS038038	RS 38038	.380 (9,65)	.320 (8,13)	.382 (9,70)
13RS038039	RS 38039	.385 (9,78)	.254 (6,45)	.240 (6,10)
13RS038518	RS 38518	5/8 (15,88)	.385 (9,78)	.187 (4,75)
13RS038930	RS 38930	.389 (9,88)	.251 (6,38)	1/8 (3,18)
13RS038931	RS 38931	.389 (9,88)	.255 (6,48)	.132 (3,35)
13RS039315	RS 39315	.393 (9,98)	.151 (3,83)	1/4 (6,35)
13RS039342	RS 39342	.393 (9,98)	.169 (4,29)	15/64 (5,94)
13RS039343	RS 39343	.394 (10,01)	.248 (6,30)	.433 (11,00)
13RS039344	RS 39344	.394 (10,01)	.221 (1,24)	.984 (24,99)
13RS039459	RS 39459	.395 (10,03)	.320 (8,13)	.591 (15,01)
13RS040080	RS 40080	.400 (10,16)	.140 (3,56)	23/32 (18,25)
13RS040082	RS 40082	.430 (10,92)	.285 (7,24)	.400 (10,16)
13RS040083	RS 40083	.394 (10,01)	.169 (4,29)	.787 (19,99)
13RS040084	RS 40084	.420 (10,67)	.200 (5,08)	.500 (12,70)
13RS040085	RS 40085	.400 (10,16)	.140 (3,56)	25/32 (19,84)
13RS040086	RS 40086	.315 (8,00)	.165 (4,19)	.984 (24,99)
13RS040087	RS 40087	.430 (10,92)	.200 (5,08)	.500 (12,70)
13RS040088	RS 40088	.430 (10,92)	.285 (7,23)	.350 (8,89)
13RS040630	RS 40630	.406 (10,31)	.269 (6,83)	1/4 (6,35)
13RS040631	RS 40631	.406 (10,31)	.269 (6,83)	.305 (7,75)
13RS040632	RS 40632	.406 (10,31)	.269 (6,83)	.424 (10,76)
13RS040636	RS 40636	.406 (10,31)	.265 (6,73)	.562 (14,27)
13RS040637	RS 40637	.406 (10,31)	.265 (6,73)	.625 (15,88)
13RS040660	RS 40660	.406 (10,31)	.267 (6,78)	1/2 (12,70)
13RS040670	RS 40670	.406 (10,31)	.265 (6,73)	3/4 (19,05)
13RS040671	RS 40671	.406 (10,31)	.311 (7,90)	.591 (15,01)
13RS040675	RS 40675	.406 (10,31)	.280 (7,11)	3/8 (9,53)
13RS040685	RS 40685	.406 (10,31)	.265 (6,73)	1 (25,40)
13RS041500	RS 41500	.415 (10,54)	.320 (8,13)	.640 (16,26)
13RS041501	RS 41501	.415 (10,54)	.140 (3,56)	11/32 (8,71)
13RS042700	RS 42700	.427 (10,85)	.182 (4,62)	47/64 (18,64)
13RS042701	RS 42701	.433 (10,10)	.256 (6,50)	.220 (5,59)
13RS043722	RS 43722	.437 (11,09)	.198 (5,02)	.281 (7,13)
13RS043723	RS 43723	.438 (11,12)	.219 (5,56)	.375 (9,52)



SPACERS

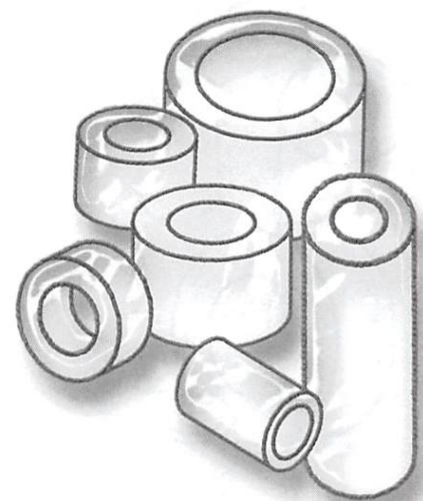
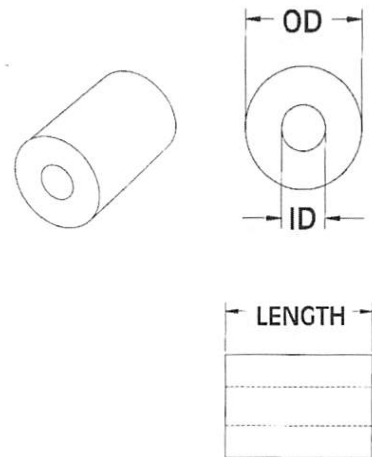
SECTION
V

ITEM NUMBER	DESCRIPTION	OD	ID	LENGTH
13RS043724	RS 43724	7/16 (11,11)	1/4 (6,35)	.394 (10,01)
13RS043725	RS 43725	7/16 (11,11)	1/4 (6,35)	.591 (15,01)
13RS043726	RS 43726	.437 (11,10)	.312 (7,92)	.350 (8,89)
13RS043727	RS 43727	.438 (11,13)	.325 (8,26)	.422 (10,72)
13RS043728	RS 43728	.437 (11,10)	.318 (8,08)	.281 (7,14)
13RS043729	RS 43729	7/16 (11,11)	.171 (4,34)	.655 (16,64)
13RS043730	RS 43730	.437 (11,10)	.318 (8,08)	.150 (3,81)
13RS044074	RS 44074	.437 (11,10)	.145 (3,68)	.875 (22,23)
13RS044075	RS 44075	7/16 (11,11)	.220 (5,59)	3/4 (19,05)
13RS044084	RS 44084	.420 (10,67)	.200 (5,59)	.500 (12,70)
13RS044086	RS 44086	.315 (8,00)	.165 (4,19)	.984 (24,99)
13RS044087	RS 44087	7/16 (11,11)	.220 (5,59)	7/8 (22,22)
13RS044109	RS 44109	7/16 (11,11)	.220 (5,59)	1 3/32 (27,78)
13RS044128	RS 44128	7/16 (11,11)	.220 (5,59)	1 9/32 (32,54)
13RS044150	RS 44150	7/16 (11,11)	.220 (5,59)	1 1/2 (38,10)
13RS044232	RS 44232	7/16 (11,11)	.220 (5,59)	2 5/16 (58,72)
13RS045040	RS 45040	.450 (11,43)	.325 (8,26)	27/64 (10,72)
13RS046060	RS 46060	.460 (11,68)	.252 (6,40)	9/16 (14,29)
13RS046061	RS 46061	.460 (11,68)	.400 (10,16)	.440 (11,18)
13RS046062	RS 46062	.454 (11,53)	.140 (3,56)	.344 (8,74)
13RS046319	RS 46319	.463 (11,76)	.190 (4,83)	5/16 (7,92)
13RS046500	RS 46500	.465 (11,81)	.382 (9,70)	.282 (7,16)
13RS046823	RS 46823	.468 (11,89)	.314 (7,98)	.230 (5,84)
13RS048011	RS 48011	.472 (11,99)	.195 (4,95)	.377 (9,58)
13RS048012	RS 48012	.470 (11,94)	.120 (3,05)	23/64 (9,12)
13RS048013	RS 48013	.472 (11,99)	.394 (10,01)	.787 (19,99)
13RS048015	RS 48015	.475 (12,06)	.191 (4,85)	21/64 (8,33)
13RS048016	RS 48016	.480 (12,19)	.257 (6,53)	3/16 (4,76)
13RS048017	RS 48017	.472 (11,99)	.323 (8,20)	.492 (12,50)
13RS048018	RS 48018	.455 (11,56)	.320 (8,13)	.512 (13,00)
13RS048420	RS 48420	.484 (12,29)	.343 (8,71)	3/16 (4,76)
13RS048421	RS 48421	.486 (12,34)	.320 (8,13)	.375 (9,53)
13RS050000	RS 50000	.500 (12,70)	.250 (6,35)	3.000 (76,2)
13RS050001	RS 50001	.500 (12,70)	.252 (6,40)	2.500 (63,50)
13RS050009	RS 50009	.500 (12,70)	.219 (5,56)	.649 (16,48)
13RS050010	RS 50010	.500 (12,70)	.320 (8,13)	.270 (6,86)
13RS050011	RS 50011	.500 (12,70)	.244 (6,20)	.295 (7,49)
13RS050012	RS 50012	.500 (12,70)	.325 (8,25)	.672 (17,07)
13RS050013	RS 50013	.500 (12,70)	.406 (10,31)	.449 (11,40)
13RS050014	RS 50014	.501 (12,72)	.249 (6,32)	.390 (9,91)
13RS050015	RS 50015	.500 (12,70)	.194 (4,93)	13/32 (10,31)
13RS050016	RS 50016	.500 (12,70)	.265 (6,73)	.156 (3,96)
13RS050017	RS 50017	.500 (12,70)	.265 (6,73)	.200 (5,08)
13RS050018	RS 50018	1/2 (12,70)	.257 (6,53)	15/64 (5,94)
13RS050019	RS 50019	.500 (12,70)	.195 (4,95)	.451 (13,74)
13RS050020	RS 50020	.500 (12,70)	.213 (5,41)	.250 (6,35)
13RS050021	RS 50021	1/2 (12,70)	.382 (9,70)	.625 (15,88)
13RS050022	RS 50022	.500 (12,70)	.260 (6,60)	1/4 (6,35)
13RS050023	RS 50023	.500 (12,70)	.281 (7,14)	13/16 (20,64)
13RS050024	RS 50024	.500 (12,70)	.220 (5,59)	.135 (3,43)
13RS050025	RS 50025	.500 (12,70)	.170 (4,32)	.255 (6,48)
13RS050027	RS 50027	.500 (12,70)	.170 (4,32)	.270 (6,86)
13RS050028	RS 50028	.500 (12,70)	.312 (7,93)	5/32 (3,97)
13RS050029	RS 50029	.500 (12,70)	.320 (8,12)	.320 (8,12)
13RS050031	RS 50031	.500 (12,70)	.382 (9,70)	.312 (7,92)
13RS050032	RS 50032	.500 (12,70)	.140 (3,55)	.600 (15,24)
13RS050040	RS 50040	.500 (12,70)	.344 (8,74)	13/16 (20,64)
13RS050041	RS 50041	.500 (12,70)	.375 (9,53)	.225 (5,72)
13RS050045	RS 50045	.500 (12,70)	.257 (6,53)	13/32 (10,31)

SPECIAL SPACERS

Molded in Natural Nylon 6/6

New
SIZES



Get quote

Angic Global Solutions

1-888-872-0690

TELEPHONE: (870)

oplastics.com • W

<https://www.AngicGlobal.com> Sales@AngicGlobal.com **INC. 115**

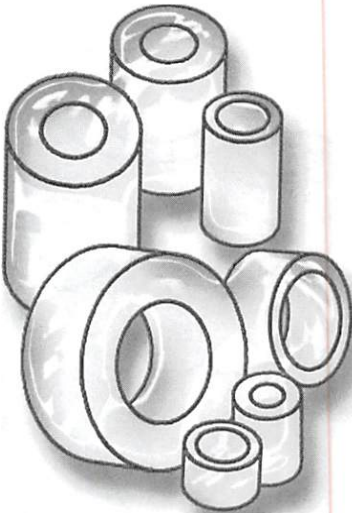
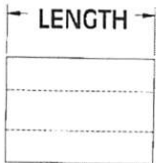
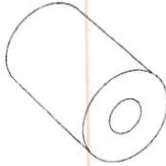
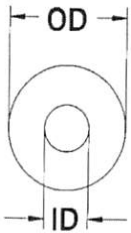
SPACERS

SECTION

V

SPECIAL SPACERS

Molded in Natural Nylon 6/6



ITEM NUMBER	DESCRIPTION	OD	ID	LENGTH
13RS050046	RS 50046	1/2 (12,70)	.312 (7,93)	1-5/16 (33,33)
13RS050047	RS 50047	.500 (12,70)	.368 (9,34)	.470 (11,94)
13RS050048	RS 50048	.500 (12,70)	.310 (7,87)	.463 (11,76)
13RS050050	RS 50050	.500 (12,70)	.328 (8,33)	1 (25,40)
13RS050055	RS 50055	.500 (12,70)	.383 (9,73)	1/2 (12,70)
13RS050056	RS 50056	.500 (12,70)	.390 (9,92)	1/2 (12,70)
13RS050057	RS 50057	.500 (12,70)	.384 (9,75)	.665 (16,89)
13RS050059	RS 50059	.500 (12,70)	.384 (9,75)	.537 (13,64)
13RS050061	RS 50061	.500 (12,70)	.335 (8,51)	.209 (5,31)
13RS050062	RS 50062	.505 (12,83)	.385 (9,78)	5/32 (3,97)
13RS050063	RS 50063	.500 (12,70)	.285 (7,24)	.630 (16,00)
13RS050064	RS 50064	.683 (17,35)	.505 (12,83)	.500 (12,70)
13RS050065	RS 50065	.500 (12,70)	.395 (10,03)	.314 (7,98)
13RS050066	RS 50066	.500 (12,70)	.312 (7,92)	.540 (13,71)
13RS050070	RS 50070	.500 (12,70)	.316 (8,03)	1/2 (12,70)
13RS050071	RS 50071	.500 (12,70)	.316 (8,03)	15/64 (5,95)
13RS050072	RS 50072	.500 (12,70)	.315 (8,00)	.312 (7,92)
13RS050075	RS 50075	.500 (12,70)	.438 (11,12)	.750 (19,05)
13RS050080	RS 50080	.500 (12,70)	.380 (9,65)	27/64 (10,72)
13RS050082	RS 50082	.500 (12,70)	.375 (9,53)	7/16 (11,11)
13RS050085	RS 50085	.500 (12,70)	.281 (7,14)	3/8 (9,53)
13RS050088	RS 50088	.500 (12,70)	.260 (6,60)	1-5/8 (41,28)
13RS050089	RS 50089	.500 (12,70)	.375 (9,53)	.380 (9,65)
13RS050090	RS 50090	.500 (12,70)	.375 (9,53)	5/8 (15,88)
13RS050091	RS 50091	.500 (12,70)	.375 (9,53)	.635 (16,13)
13RS050092	RS 50092	.500 (12,70)	.440 (11,17)	.430 (10,92)
13RS050093	RS 50093	.500 (12,70)	.285 (7,24)	.930 (23,62)
13RS050094	RS 50094	.500 (12,70)	.375 (9,53)	11/16 (17,46)
13RS050095	RS 50095	.500 (12,70)	.385 (9,78)	1 (25,40)
13RS050096	RS 50096	.500 (12,70)	.260 (6,60)	1-3/8 (34,93)
13RS050097	RS 50097	.515 (13,08)	.445 (11,30)	.380 (9,65)
13RS050098	RS 50098	1/2 (12,70)	.375 (9,52)	.938 (23,83)
13RS050099	RS 50099	1/2 (12,70)	.250 (6,35)	2.125 (53,98)
13RS051001	RS 51001	.510 (12,95)	.390 (9,91)	1/4 (6,35)
13RS051002	RS 51002	.510 (12,95)	.271 (6,88)	.232 (5,89)
13RS051003	RS 51003	.516 (13,10)	.335 (8,50)	.453 (11,50)
13RS051062	RS 51062	.510 (12,95)	.320 (8,13)	7/8 (22,22)
13RS051063	RS 51063	1/2 (12,70)	.281 (7,14)	7/8 (22,23)
13RS052001	RS 52001	.518 (13,16)	.382 (9,70)	.280 (7,11)
13RS052002	RS 52002	.533 (13,54)	.219 (5,56)	.360 (9,14)
13RS053545	RS 53545	.540 (13,72)	.325 (8,26)	.475 (12,07)
13RS053546	RS 53546	.535 (13,59)	.250 (6,35)	.610 (15,49)
13RS056030	RS 56030	.560 (14,22)	.379 (9,63)	3/8 (9,53)
13RS056031	RS 56031	.562 (14,27)	.375 (9,53)	1/2 (12,70)
13RS056032	RS 56032	.563 (14,30)	.453 (11,51)	.281 (7,14)
13RS056033	RS 56033	.560 (14,22)	.280 (7,11)	.500 (12,70)
13RS056034	RS 56034	.563 (14,30)	.340 (8,64)	.310 (7,87)
13RS056035	RS 56035	.560 (14,22)	.390 (9,90)	.500 (12,70)
13RS056256	RS 56256	.555 (13,97)	.245 (6,22)	9/16 (14,29)
13RS056337	RS 56337	.563 (14,30)	.281 (7,14)	3/8 (9,53)
13RS056656	RS 56656	.565 (14,35)	.33 (8,38)	.56 (14,22)
13RS056718	RS 56718	.567 (14,40)	.318 (8,08)	35/64 (13,87)
13RS056740	RS 56740	.567 (14,40)	.437 (11,10)	.406 (10,31)
13RS057032	RS 57032	.570 (14,48)	.320 (8,13)	35/64 (13,87)
13RS057033	RS 57033	.589 (14,96)	.312 (7,92)	.310 (7,87)
13RS057035	RS 57035	.591 (15,01)	.256 (6,50)	.335 (8,51)
13RS059031	RS 59031	.590 (14,99)	.314 (7,98)	23/64 (9,12)
13RS059032	RS 59032	.590 (14,99)	.319 (8,10)	.655 (16,64)
13RS059033	RS 59033	.590 (14,99)	.236 (5,99)	.310 (7,87)



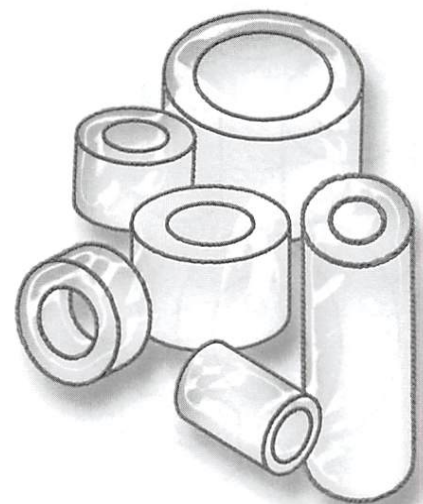
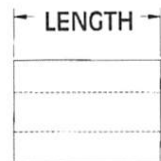
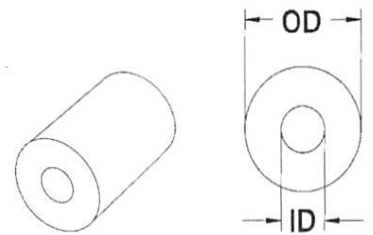
SPACERS

SECTION
V

ITEM NUMBER	DESCRIPTION	OD	ID	LENGTH
13RS060550	RS 60550	.606 (15,39)	.203 (5,16)	5/8 (15,88)
13RS060551	RS 60551	.602 (15,29)	.250 (6,35)	.622 (15,80)
13RS060552	RS 60552	.600 (15,24)	.325 (8,25)	.421 (10,69)
13RS061018	RS 61018	.615 (15,62)	.385 (9,78)	3/16 (4,76)
13RS061019	RS 61019	.615 (15,62)	.325 (8,26)	.813 (20,65)
13RS061020	RS 61020	.615 (15,62)	.328 (8,33)	.438 (11,13)
13RS061021	RS 61021	.375 (9,52)	.210 (5,33)	.610 (15,49)
13RS061731	RS 61731	.617 (15,67)	.313 (7,95)	11/16 (17,46)
13RS062012	RS 62012	.620 (15,75)	.350 (8,89)	3/16 (4,76)
13RS062035	RS 62035	.620 (15,75)	.507 (12,89)	1-11/16 (42,85)
13RS062040	RS 62040	.620 (15,75)	.504 (12,80)	13/16 (20,64)
13RS062062	RS 62062	.620 (15,75)	.504 (12,80)	.625 (15,88)
13RS062331	RS 62331	.623 (15,82)	.311 (7,90)	13/16 (20,64)
13RS062513	RS 62513	.625 (15,87)	.320 (8,12)	.375 (9,52)
13RS062514	RS 62514	.625 (15,88)	.160 (4,06)	.312 (7,92)
13RS062515	RS 62515	.620 (15,75)	.323 (8,20)	5/32 (3,96)
13RS062516	RS 62516	5/8 (15,88)	.312 (7,92)	3/4 (19,05)
13RS062517	RS 62517	.621 (15,77)	.254 (6,45)	.652 (16,56)
13RS062519	RS 62519	.625 (15,88)	.191 (4,85)	1/4 (6,35)
13RS062520	RS 62520	.63 (16,00)	.50 (12,70)	1-1/4 (31,75)
13RS062521	RS 62521	.625 (15,88)	.140 (3,56)	.375 (9,53)
13RS062522	RS 62522	.625 (15,88)	.435 (11,10)	1/4 (6,35)
13RS062523	RS 62523	.635 (16,13)	.385 (9,78)	.230 (5,84)
13RS062524	RS 62524	.625 (15,88)	.412 (10,46)	.155 (3,94)
13RS062525	RS 62525	.625 (15,88)	.390 (9,91)	1/4 (6,35)
13RS062526	RS 62526	.625 (15,88)	.380 (9,65)	.750 (19,05)
13RS062527	RS 62527	.625 (15,88)	.328 (8,33)	.250 (6,35)
13RS062528	RS 62528	.625 (15,88)	.280 (7,11)	7/16 (11,10)
13RS062529	RS 62529	.625 (15,88)	.390 (9,91)	.437 (11,11)
13RS062530	RS 62530	.610 (15,49)	.250 (6,35)	3/8 (9,53)
13RS062531	RS 62531	.625 (15,88)	.260 (6,60)	1/4 (6,35)
13RS062532	RS 62532	.625 (15,87)	.281 (7,14)	.562 (14,27)
13RS062533	RS 62533	.625 (15,87)	.500 (12,7)	1.625 (41,27)
13RS062534	RS 62534	.620 (15,75)	.383 (9,73)	.562 (14,27)
13RS062535	RS 62535	.625 (15,88)	.500 (12,70)	5/16 (7,94)
13RS062536	RS 62536	.625 (15,88)	.500 (12,70)	.375 (9,52)
13RS062537	RS 62537	.625 (15,88)	.342 (8,69)	3/8 (9,53)
13RS062538	RS 62538	.627 (15,93)	.484 (12,29)	.467 (11,86)
13RS062539	RS 62539	.625 (15,88)	.503 (12,78)	.207 (5,26)
13RS062540	RS 62540	.625 (15,88)	.375 (9,53)	3/8 (9,53)
13RS062541	RS 62541	.625 (15,88)	.312 (7,92)	.500 (12,70)
13RS062542	RS 62542	.630 (16,00)	.373 (9,47)	.462 (11,73)
13RS062546	RS 62546	.625 (15,88)	.375 (9,53)	.462 (11,73)
13RS062547	RS 62547	.625 (15,88)	.315 (8,00)	.312 (7,92)
13RS062550	RS 62550	.613 (15,57)	.281 (7,14)	1/2 (12,70)
13RS062551	RS 62551	.625 (15,87)	.173 (4,39)	.250 (6,35)
13RS062560	RS 62560	.615 (15,62)	.281 (7,14)	13/16 (20,64)
13RS062561	RS 62561	.625 (15,88)	.386 (9,80)	5/8 (15,88)
13RS062565	RS 62565	.625 (15,88)	.450 (11,43)	5/8 (15,88)
13RS062570	RS 62570	.635 (16,13)	.425 (10,80)	7/8 (22,22)
13RS062571	RS 62571	.625 (15,88)	.450 (11,43)	7/8 (22,22)
13RS062572	RS 62572	.618 (15,70)	.500 (12,70)	31/64 (12,29)
13RS062573	RS 62573	.625 (15,88)	.386 (9,80)	.738 (18,75)
13RS062575	RS 62575	.625 (15,88)	.500 (12,70)	1.000 (25,40)
13RS062580	RS 62580	.625 (15,88)	.257 (6,53)	1/8 (3,18)
13RS062581	RS 62581	.625 (15,88)	.275 (6,98)	.250 (6,35)
13RS062582	RS 62582	.625 (15,88)	.375 (9,53)	.082 (2,08)
13RS062583	RS 62583	.634 (16,10)	.434 (11,02)	.380 (9,65)
13RS062584	RS 62584	5/8 (15,88)	.380 (9,65)	1 1/4 (31,75)

SPECIAL SPACERS

Molded in Natural Nylon 6/6

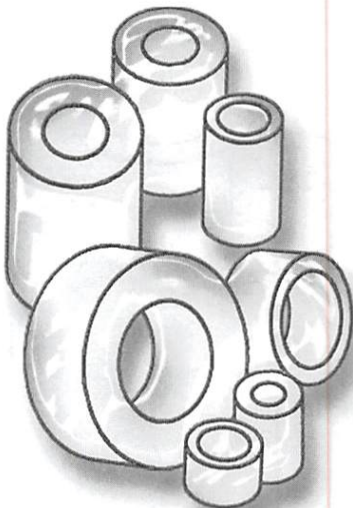
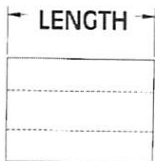
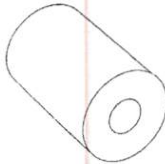
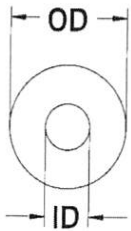


SPACERS

SECTION
V

SPECIAL SPACERS

Molded in **Natural Nylon 6/6**



ITEM NUMBER	DESCRIPTION	OD	ID	LENGTH
13RS062585	RS 62585	.625 (15,88)	.250 (6,35)	1.500 (38,10)
13RS062586	RS 62586	.625 (15,87)	.250 (6,35)	1.000 (25,40)
13RS062587	RS 62587	.625 (15,87)	.250 (6,35)	.625 (15,87)
13RS062589	RS 62589	.625 (15,87)	.250 (6,35)	.500 (12,70)
13RS062591	RS 62591	.630 (16,00)	.350 (8,89)	.200 (5,08)
13RS062592	RS 62592	.630 (16,00)	.205 (5,21)	.984 (24,99)
13RS062593	RS 62593	.625 (15,88)	.520 (13,21)	.218 (5,54)
13RS062594	RS 62594	.625 (15,87)	.340 (8,63)	.422 (10,71)
13RS062650	RS 62650	.620 (15,75)	.507 (12,89)	1/2 (12,70)
13RS063050	RS 63050	.630 (16,00)	.378 (9,60)	.50 (12,70)
13RS063051	RS 63051	.630 (16,00)	.512 (13,00)	.354 (8,99)
13RS063550	RS 63550	.635 (16,13)	.520 (13,21)	.500 (12,70)
13RS063551	RS 63551	.639 (16,23)	.515 (13,08)	.563 (14,30)
13RS063564	RS 63564	.913 (23,19)	.635 (16,13)	.641 (16,28)
13RS064057	RS 64057	.640 (16,26)	.327 (8,31)	.560 (14,22)
13RS065650	RS 65650	.656 (16,66)	.516 (13,11)	1/2 (12,70)
13RS065830	RS 65830	.648 (16,50)	.280 (7,11)	23/64 (9,12)
13RS066850	RS 66850	.668 (16,97)	.506 (12,85)	15/16 (23,81)
13RS066851	RS 66851	.670 (17,02)	.350 (8,90)	.200 (5,08)
13RS068711	RS 68711	.687 (17,45)	.260 (6,60)	.457 (11,61)
13RS068712	RS 68712	.687 (17,45)	.156 (3,96)	1/8 (3,18)
13RS068714	RS 68714	.691 (17,55)	.519 (13,18)	.750 (19,05)
13RS069038	RS 69038	.680 (17,27)	.600 (15,24)	.56 (14,22)
13RS069039	RS 69039	.680 (17,27)	.390 (9,91)	5/8 (15,88)
13RS070082	RS 70082	.698 (17,73)	.333 (8,46)	.596 (15,14)
13RS070086	RS 70086	.700 (17,78)	.335 (8,51)	.866 (22,00)
13RS070087	RS 70087	.715 (18,16)	.520 (13,20)	.380 (9,65)
13RS071820	RS 71820	.718 (18,24)	.526 (13,36)	7/32 (5,55)
13RS071821	RS 71821	.720 (18,29)	.392 (9,96)	.230 (5,84)
13RS071823	RS 71823	.709 (18,00)	.524 (13,30)	.295 (7,49)
13RS071828	RS 71828	.718 (18,24)	.526 (13,36)	9/32 (7,14)
13RS072050	RS 72050	.720 (18,29)	.515 (13,08)	.49 (12,45)
13RS072051	RS 72051	.716 (18,19)	.420 (10,67)	.433 (11,00)
13RS073030	RS 73030	.730 (18,54)	.263 (6,68)	.295 (7,49)
13RS075008	RS 75008	.750 (19,05)	.315 (8,00)	.875 (22,23)
13RS075009	RS 75009	.750 (19,05)	.320 (8,13)	.500 (12,70)
13RS075010	RS 75010	.750 (19,05)	.280 (7,11)	.440 (11,18)
13RS075011	RS 75011	.754 (19,15)	.531 (13,49)	.451 (11,46)
13RS075012	RS 75012	3/4 (19,05)	.260 (6,60)	.758 (19,25)
13RS075013	RS 75013	.750 (19,05)	.255 (6,48)	.290 (7,37)
13RS075014	RS 75014	.750 (19,05)	.631 (16,03)	.440 (11,18)
13RS075015	RS 75015	.750 (19,05)	.145 (3,68)	.875 (22,23)
13RS075016	RS 75016	.750 (19,05)	.260 (6,60)	.591 (15,01)
13RS075017	RS 75017	.750 (19,05)	.490 (12,44)	.800 (20,32)
13RS075018	RS 75018	.750 (19,05)	.645 (16,38)	.437 (11,10)
13RS075020	RS 75020	.740 (18,80)	.250 (6,35)	1/4 (6,35)
13RS075021	RS 75021	.744 (18,90)	.397 (10,08)	.371 (9,42)
13RS075022	RS 75022	.745 (18,92)	.387 (9,83)	.187 (4,75)
13RS075023	RS 75023	.752 (19,10)	.480 (12,19)	.226 (5,74)
13RS075024	RS 75024	3/4 (19,05)	.315 (8,00)	5/16 (7,94)
13RS075025	RS 75025	.750 (19,05)	.258 (6,55)	7/16 (11,10)
13RS075026	RS 75026	.750 (19,05)	.260 (6,60)	.375 (9,53)
13RS075027	RS 75027	3/4 (19,05)	5/16 (7,94)	9/16 (14,29)
13RS075028	RS 75028	3/4 (19,05)	.266 (6,76)	5/16 (7,94)
13RS075029	RS 75029	.750 (19,05)	.370 (9,40)	11/32 (8,71)
13RS075030	RS 75030	.750 (19,05)	.406 (10,32)	.562 (14,27)
13RS075031	RS 75031	.750 (19,05)	.315 (8,00)	.187 (4,75)
13RS075032	RS 75032	.750 (19,05)	.385 (9,78)	13/64 (5,16)
13RS075033	RS 75033	3/4 (19,05)	1/4 (6,35)	3/16 (4,76)



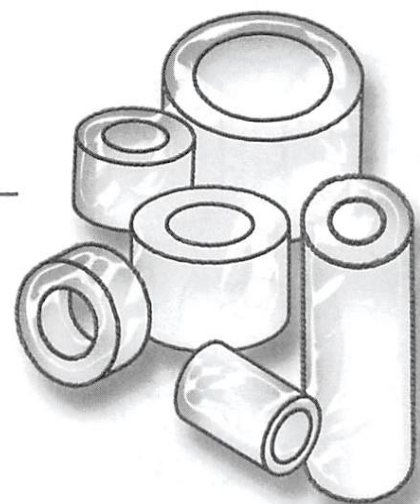
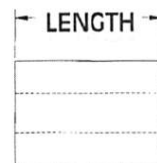
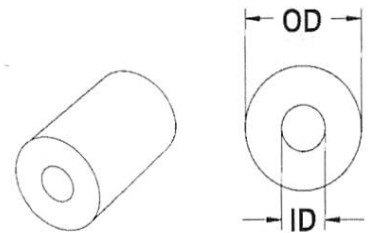
SPACERS

SECTION
V

ITEM NUMBER	DESCRIPTION	OD	ID	LENGTH
13RS075034	RS 75034	.750 (19,05)	.515 (13,08)	.340 (8,64)
13RS075035	RS 75035	.750 (19,05)	.245 (6,25)	.361 (9,17)
13RS075036	RS 75036	.750 (19,05)	.312 (7,92)	.938 (23,82)
13RS075037	RS 75037	.745 (18,92)	.250 (6,35)	3/8 (9,53)
13RS075038	RS 75038	.750 (19,05)	.375 (9,53)	.343 (8,71)
13RS075039	RS 75039	.750 (19,05)	.490 (12,45)	3/8 (9,53)
13RS075040	RS 75040	.750 (19,05)	.323 (8,20)	.250 (6,35)
13RS075041	RS 75041	.740 (18,80)	.390 (9,91)	1 (25,40)
13RS075042	RS 75042	.750 (19,05)	.260 (6,60)	.625 (15,88)
13RS075043	RS 75043	.740 (18,80)	.310 (7,87)	.437 (11,10)
13RS075044	RS 75044	1-3/4 (44,45)	5/8 (15,88)	1/4 (6,35)
13RS075045	RS 75045	.745 (18,92)	.385 (9,78)	5/16 (7,92)
13RS075046	RS 75046	.750 (19,05)	.460 (11,68)	1/4 (6,35)
13RS075047	RS 75047	3/4 (19,05)	.380 (9,65)	.472 (11,99)
13RS075048	RS 75048	.750 (19,05)	.250 (6,35)	.500 (12,70)
13RS075049	RS 75049	.750 (19,05)	.312 (7,92)	.250 (6,35)
13RS075050	RS 75050	.750 (19,05)	.344 (8,74)	.500 (12,70)
13RS075051	RS 75051	3/4 (19,05)	.260 (6,60)	1 (25,40)
13RS075052	RS 75052	.750 (19,05)	.250 (6,35)	.878 (22,30)
13RS075053	RS 75053	.750 (19,05)	.437 (11,10)	.500 (12,70)
13RS075054	RS 75054	.750 (19,05)	.380 (9,65)	.850 (21,59)
13RS075055	RS 75055	.735 (18,67)	.360 (9,14)	.585 (14,86)
13RS075056	RS 75056	.741 (18,82)	.433 (10,99)	.350 (8,89)
13RS075057	RS 75057	.750 (19,05)	.520 (13,20)	.500 (12,70)
13RS075058	RS 75058	.750 (19,05)	.140 (3,55)	.500 (12,70)
13RS075059	RS 75059	.750 (19,05)	.173 (4,39)	.250 (6,35)
13RS075060	RS 75060	.750 (19,05)	.350 (8,89)	.375 (9,52)
13RS075062	RS 75062	.750 (19,05)	.320 (8,12)	.625 (15,87)
13RS075065	RS 75065	3/4 (19,05)	.260 (6,60)	9/16 (14,29)
13RS075066	RS 75066	3/4 (19,05)	.375 (9,53)	.625 (15,88)
13RS075070	RS 75070	.750 (19,05)	.510 (12,95)	.700 (17,78)
13RS075071	RS 75071	.750 (19,05)	.510 (12,95)	.375 (9,53)
13RS075074	RS 75074	.750 (19,05)	.194 (4,92)	.750 (19,05)
13RS075075	RS 75075	3/4 (19,05)	.320 (8,13)	3/4 (19,05)
13RS075076	RS 75076	.750 (19,05)	.320 (8,13)	1 (25,40)
13RS075077	RS 75077	.755 (19,18)	.400 (10,16)	.290 (7,33)
13RS075078	RS 75078	.750 (19,05)	.344 (8,74)	.250 (6,35)
13RS075079	RS 75079	.750 (19,05)	.200 (5,08)	1.000 (25,40)
13RS075080	RS 75080	.750 (19,05)	.260 (6,60)	.500 (12,70)
13RS075081	RS 75081	3/4 (19,05)	3/8 (9,53)	3/8 (9,53)
13RS075082	RS 75082	3/4 (19,05)	13/64 (5,16)	.100 (2,54)
13RS075083	RS 75083	.754 (19,15)	.386 (9,80)	.376 (9,55)
13RS075084	RS 75084	.750 (19,05)	.390 (9,91)	.375 (9,53)
13RS075085	RS 75085	.750 (19,05)	.266 (6,75)	.417 (10,69)
13RS075086	RS 75086	.760 (19,30)	.401 (10,19)	.600 (15,24)
13RS075087	RS 75087	.750 (19,05)	.327 (8,31)	.188 (4,78)
13RS075088	RS 75088	.750 (19,05)	.187 (4,75)	.500 (12,70)
13RS075089	RS 75089	.750 (19,05)	.390 (9,91)	1.500 (38,10)
13RS075990	RS 75990	.760 (19,30)	.394 (10,01)	.910 (23,11)
13RS075991	RS 75991	.780 (19,81)	.501 (12,73)	.205 (5,21)
13RS077530	RS 77530	.775 (19,69)	.507 (12,89)	1/4 (6,35)
13RS077531	RS 77531	.770 (19,56)	.434 (11,02)	.377 (9,58)
13RS077532	RS 77532	.797 (20,24)	.705 (17,90)	.815 (20,70)
13RS081045	RS 81045	.803 (20,40)	.520 (13,21)	1/2 (12,70)
13RS081046	RS 81046	.803 (20,40)	.520 (13,21)	.375 (9,53)
13RS081222	RS 81222	.812 (20,63)	.312 (7,93)	1/8 (3,18)
13RS081223	RS 81223	.812 (20,63)	.403 (10,24)	.250 (6,35)
13RS081224	RS 81224	.812 (20,63)	.403 (10,24)	.710 (18,03)
13RS081225	RS 81225	.805 (20,45)	.688 (17,48)	.500 (12,70)

SPECIAL SPACERS

Molded in Natural Nylon 6/6



Get quote

Angic Global Solutions

1-888-872-0690

TEL: PHONE: (870)

plastics.com • WE

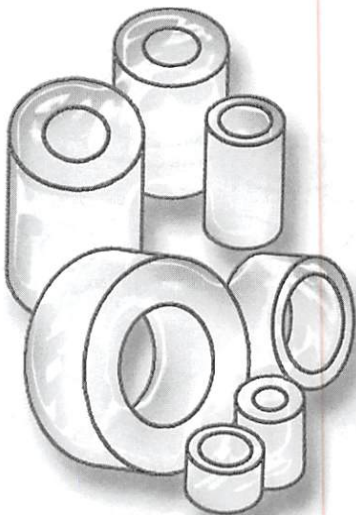
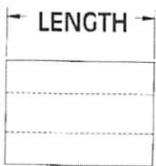
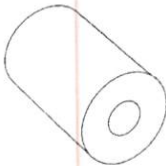
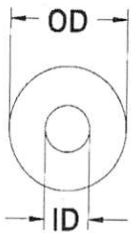
<https://www.AngicGlobal.com> Sales@AngicGlobal.com **INC. 119**

SPACERS

SECTION
V

SPECIAL SPACERS

Molded in Natural Nylon 6/6



ITEM NUMBER	DESCRIPTION	OD		ID		LENGTH	
13RS081226	RS 81226	.805	(20,45)	.323	(8,20)	.500	(12,70)
13RS081227	RS 81227	.805	(20,45)	.718	(18,24)	.500	(12,70)
13RS081228	RS 81228	.805	(20,45)	.703	(17,86)	.500	(12,70)
13RS081262	RS 81262	.825	(20,95)	.203	(5,16)	5/8	(15,88)
13RS081263	RS 81263	.825	(20,95)	.257	(6,53)	.370	(9,40)
13RS083531	RS 83531	.835	(21,21)	.540	(13,72)	.188	(4,78)
13RS087532	RS 87532	.875	(22,23)	.315	(8,00)	.438	(11,12)
13RS084101	RS 84101	.841	(21,36)	.605	(15,37)	.600	(15,24)
13RS084102	RS 84102	.840	(21,34)	.526	(13,36)	.502	(12,75)
13RS087045	RS 87045	.870	(22,10)	.531	(13,49)	25/64	(9,91)
13RS087046	RS 87046	.866	(22,00)	1/4	(6,35)	.394	(10,01)
13RS087047	RS 87047	.870	(22,10)	.610	(15,49)	.500	(12,70)
13RS087532	RS 87532	.875	(22,23)	.315	(8,00)	.438	(11,12)
13RS087533	RS 87533	.875	(22,22)	.385	(9,77)	.275	(6,98)
13RS087535	RS 87535	.870	(22,09)	.370	(9,39)	.500	(12,70)
13RS087536	RS 87536	.870	(22,10)	.527	(13,39)	.875	(22,23)
13RS087537	RS 87537	.875	(22,23)	.330	(8,38)	.375	(9,53)
13RS087539	RS 87539	.875	(22,23)	.375	(9,53)	.312	(7,92)
13RS087540	RS 87540	.875	(22,23)	.265	(6,73)	.375	(9,53)
13RS087541	RS 87541	.875	(22,23)	.325	(8,26)	.250	(6,35)
13RS087542	RS 87542	.875	(22,23)	.265	(6,73)	.250	(6,35)
13RS087543	RS 87543	.865	(21,97)	.494	(12,55)	.373	(9,47)
13RS087544	RS 87544	.875	(22,23)	.316	(8,03)	.875	(22,23)
13RS087550	RS 87550	.875	(22,23)	.251	(6,38)	.625	(15,88)
13RS087551	RS 87551	.875	(22,23)	.265	(6,73)	.156	(3,96)
13RS087553	RS 87553	.880	(22,35)	.650	(16,51)	.750	(19,05)
13RS087554	RS 87554	.878	(22,30)	.753	(19,13)	.495	(12,57)
13RS087555	RS 87555	.875	(22,23)	.280	(7,11)	.500	(12,70)
13RS087556	RS 87556	.875	(22,23)	.265	(6,73)	3/4	(19,05)
13RS087557	RS 87557	7/8	(22,23)	27/64	(10,72)	3/8	(9,53)
13RS089036	RS 89036	.880	(22,35)	.515	(13,08)	.375	(9,53)
13RS089037	RS 89037	.885	(22,48)	.438	(11,13)	.370	(9,40)
13RS089038	RS 89038	.907	(23,04)	.780	(19,81)	.315	(8,00)
13RS091775	RS 91775	.917	(23,29)	.785	(19,94)	.750	(19,05)
13RS091776	RS 91776	.918	(21,28)	.838	(21,28)	1.125	(28,57)
13RS094550	RS 94550	.946	(24,03)	.248	(6,30)	.500	(12,70)
13RS094551	RS 94551	.984	(24,99)	.509	(12,93)	.984	(24,99)
13RS097518	RS 97518	.975	(24,76)	.390	(9,91)	1.180	(29,97)
13RS098528	RS 98528	.985	(25,02)	.285	(7,24)	1/4	(6,35)
13RS098550	RS 98550	.980	(24,89)	.352	(8,84)	1/2	(12,70)
13RS098551	RS 98551	1"	(25,40)	5/16	(7,94)	1/4	(6,35)
13RS098552	RS 98552	1"	(25,40)	.328	(8,33)	1.000	(25,40)
13RS098553	RS 98553	.984	(24,99)	.650	(16,51)	.492	(12,50)
13RS098554	RS 98554	.984	(24,99)	.604	(15,34)	.312	(7,92)
13RS099000	RS 99000	.993	(25,22)	.730	(18,54)	.346	(8,78)
13RS099001	RS 99001	.993	(25,22)	.730	(18,54)	.176	(4,47)
13RS100007	RS 100007	1.000	(25,40)	.380	(9,65)	.470	(11,93)
13RS100008	RS 100008	1"	(25,40)	.450	(11,43)	.219	(5,56)
13RS100009	RS 100009	1"	(25,40)	.530	(13,46)	.500	(12,70)
13RS100010	RS 100010	1.000	(25,40)	.650	(16,51)	.373	(9,47)
13RS100011	RS 100011	.998	(23,35)	.523	(13,28)	.453	(11,51)
13RS100012	RS 100012	1.00	(25,40)	.250	(6,35)	1/8	(3,18)
13RS100013	RS 100013	.990	(25,15)	.344	(8,74)	5/16	(7,92)
13RS100014	RS 100014	1.00	(25,40)	.260	(6,60)	3/8	(9,53)
13RS100015	RS 100015	1.000	(25,40)	.344	(8,74)	.435	(11,05)
13RS100016	RS 100016	1.000	(25,40)	.265	(6,73)	.188	(4,78)
13RS100018	RS 100018	1.00	(25,40)	.250	(6,35)	3/16	(4,76)
13RS100020	RS 100020	.990	(25,15)	.187	(4,75)	1/4	(6,35)
13RS100021	RS 100021	1"	(25,40)	.250	(6,35)	1/4	(6,35)

SPACERS

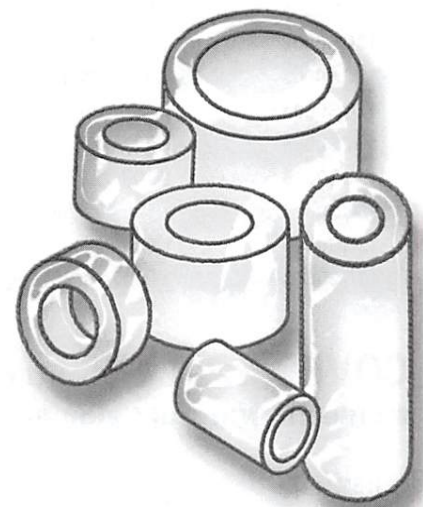
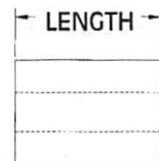
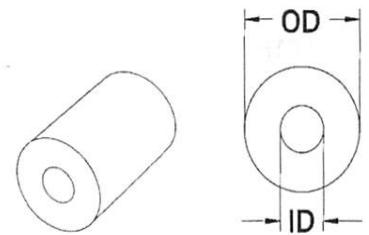
SECTION
V

ITEM NUMBER	DESCRIPTION	OD		ID		LENGTH	
13RS100022	RS 100022	1.00	(25,40)	.375	(9,53)	.800	(20,32)
13RS100024	RS 100024	1.000	(25,40)	.375	(9,53)	.250	(6,35)
13RS100025	RS 100025	1.00	(25,40)	.915	(23,24)	1/4	(6,35)
13RS100026	RS 100026	1.00	(25,40)	.250	(6,35)	7/16	(11,10)
13RS100027	RS 100027	1.000	(25,40)	.760	(19,30)	.343	(8,71)
13RS100030	RS 100030	1.00	(25,40)	.250	(6,35)	.225	(5,72)
13RS100031	RS 100031	1.00	(25,40)	.517	(13,13)	.375	(9,52)
13RS100032	RS 100032	1.000	(25,40)	.505	(12,83)	.250	(6,35)
13RS100033	RS 100033	1.000	(25,40)	.328	(8,35)	.500	(12,70)
13RS100034	RS 100034	1.000	(25,40)	.500	(12,70)	.750	(19,05)
13RS100035	RS 100035	1.000	(25,40)	.313	(7,95)	.500	(12,70)
13RS100036	RS 100036	1.000	(25,40)	.385	(9,78)	.340	(8,64)
13RS100037	RS 100037	1.00	(25,40)	.385	(9,78)	3/8	(9,53)
13RS100038	RS 100038	1.00	(25,40)	.200	(5,08)	3/8	(9,53)
13RS100039	RS 100039	1.000	(25,40)	.193	(4,90)	.250	(6,35)
13RS100043	RS 100043	1.00	(25,40)	.406	(10,31)	7/16	(11,10)
13RS100050	RS 100050	1.00	(25,40)	.755	(19,18)	13/64	(5,16)
13RS100051	RS 100051	1.00	(25,40)	.643	(16,33)	.500	(12,70)
13RS100052	RS 100052	1"	(25,40)	15/32	(11,91)	9/16	(14,29)
13RS100053	RS 100053	1.000	(25,40)	.510	(12,93)	.590	(14,99)
13RS100054	RS 100054	1.00	(25,40)	.375	(9,53)	.50	(12,70)
13RS100055	RS 100055	1.080	(27,43)	.950	(24,13)	.875	(22,23)
13RS100056	RS 100056	1.00	(25,40)	.765	(19,43)	9/16	(14,29)
13RS100057	RS 100057	1.18	(29,97)	.250	(6,35)	.217	(5,51)
13RS100058	RS 100058	.984	(24,99)	.366	(9,29)	3/8	(9,53)
13RS100059	RS 100059	1.000	(25,40)	.517	(13,13)	.687	(17,45)
13RS100060	RS 100060	.987	(25,07)	.500	(12,70)	3/8	(9,53)
13RS100061	RS 100061	1.000	(25,40)	.517	(13,13)	.312	(7,92)
13RS100062	RS 100062	1.000	(25,40)	.562	(14,27)	.910	(23,11)
13RS100063	RS 100063	1.125	(28,58)	.515	(13,08)	.388	(9,86)
13RS100064	RS 100064	1.000	(25,40)	.568	(14,43)	1.119	(28,42)
13RS100065	RS 100065	1.003	(25,47)	.561	(14,24)	.623	(15,82)
13RS100555	RS 100555	.986	(25,04)	.375	(9,53)	1/4	(6,35)
13RS105720	RS 105720	1.057	(26,85)	.812	(20,63)	1/8	(3,18)
13RS106212	RS 106212	1.055	(26,80)	.740	(18,80)	3/16	(4,76)
13RS112027	RS 112027	1.120	(28,45)	1.015	(25,78)	.375	(9,53)
13RS112028	RS 112028	1.120	(28,45)	.281	(7,14)	7/16	(11,10)
13RS112030	RS 112030	1.240	(31,50)	.505	(12,83)	.500	(12,70)
13RS112031	RS 112031	1 1/4	(31,75)	.531	(13,49)	1/2	(12,70)
13RS119600	RS 119600	1.190	(30,23)	.315	(8,00)	.600	(15,24)
13RS125075	RS 125075	1-1/4	(31,75)	.177	(4,50)	5/8	(15,88)
13RS125076	RS 125076	1.250	(31,75)	.443	(11,25)	.250	(6,35)
13RS125080	RS 125080	1.250	(31,75)	.642	(16,31)	.082	(2,08)
13RS125081	RS 125081	1.250	(31,75)	.875	(22,22)	9/16	(14,29)
13RS125082	RS 125082	1.25	(31,75)	.255	(6,48)	.531	(13,49)
13RS125083	RS 125083	1.250	(31,75)	.880	(22,35)	.330	(8,38)
13RS125084	RS 125084	1.250	(31,75)	.755	(19,17)	.250	(6,35)
13RS125085	RS 125085	1.250	(31,75)	.900	(22,86)	.500	(12,70)
13RS125250	RS 125250	1.240	(31,50)	.312	(7,93)	1/4	(7,92)
13RS125311	RS 125311	1-1/4	(31,75)	.177	(4,50)	9/16	(14,29)
13RS125312	RS 125312	1.250	(31,75)	.510	(12,95)	5/16	(6,35)
13RS125313	RS 125313	1.239	(31,47)	.761	(19,33)	9/16	(14,29)
13RS125384	RS 125384	1.250	(31,75)	.384	(9,75)	.375	(9,52)
13RS125385	RS 125385	1.250	(31,75)	.200	(5,08)	.380	(9,65)
13RS125387	RS 125387	1.25	(31,75)	.380	(9,65)	.38	(9,65)
13RS125500	RS 125500	1.24	(31,50)	.307	(7,80)	1/2	(12,70)
13RS125501	RS 125501	1.250	(31,75)	.400	(10,16)	5/8	(15,88)
13RS125750	RS 125750	1 1/4	(31,75)	17/64	(6,76)	.750	(19,05)
13RS125751	RS 125751	1.250	(31,75)	.390	(9,91)	.500	(12,70)

SPECIAL SPACERS

Molded in **Natural Nylon 6/6**

New
SIZES



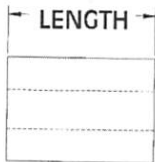
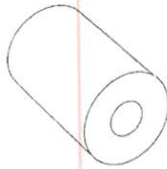
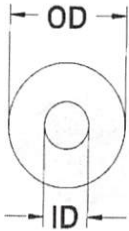
SPACERS

SECTION
V

**New
SIZES**

SPECIAL SPACERS

Molded in **Natural Nylon 6/6**



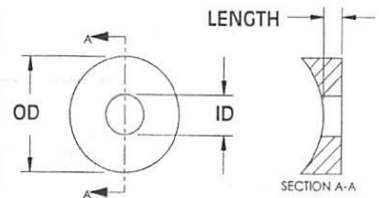
ITEM NUMBER	DESCRIPTION	OD	ID	LENGTH
13RS126210	RS 126210	1.262 (32,05)	1.043 (26,49)	.950 (24,13)
13RS126211	RS 126211	1.142 (29,00)	1.051 (26,69)	.502 (12,75)
13RS132056	RS 132056	1.320 (33,53)	1.031 (26,19)	.562 (14,27)
13RS131255	RS 131255	1.312 (33,33)	1.078 (27,38)	3/4 (19,05)
13RS131256	RS 131256	1-5/16 (33,33)	.385 (9,78)	.100 (2,54)
13RS137520	RS 137520	1.375 (33,33)	.656 (16,66)	1/8 (3,18)
13RS137521	RS 137521	1.375 (34,93)	.766 (19,46)	.156 (3,96)
13RS137522	RS 137522	1.375 (34,93)	.795 (20,19)	.400 (10,16)
13RS146050	RS 146050	1.460 (37,08)	.521 (13,23)	.500 (12,70)
13RS150011	RS 150011	1.500 (38,10)	1.187 (30,15)	23/64 (9,13)
13RS150050	RS 150050	1.50 (38,10)	1.02 (25,91)	.50 (12,70)
13RS150051	RS 150051	1 1/2 (38,10)	.397 (10,08)	1/2 (12,70)
13RS162590	RS 162590	1.625 (41,28)	1.388 (35,26)	3/32 (2,38)
13RS162591	RS 162591	1 1/16 (26,99)	.680 (17,27)	.200 (5,08)
13RS162592	RS 162592	1.062 (26,97)	.250 (6,35)	.280 (7,11)
13RS175032	RS 175032	1.750 (44,45)	.928 (23,57)	9/32 (7,14)
13RS175050	RS 175050	1.750 (44,45)	1.140 (28,96)	.500 (12,70)
13RS187509	RS 187509	1.188 (30,18)	.813 (20,65)	.250 (6,35)
13RS187510	RS 187510	1.860 (47,24)	.250 (6,35)	1 (25,40)
13RS213579	RS 213579	2 1/8 (53,98)	1-27/64 (36,09)	.280 (7,11)
13RS213580	RS 213580	2.135 (54,23)	1.760 (44,70)	1/8 (3,18)
13RS213581	RS 213581	2.13 (54,10)	1.63 (41,40)	.130 (3,30)
13RS231251	RS 231251	2 1/32 (70,97)	1.420 (36,07)	.350 (8,89)
13RS231252	RS 231252	2.750 (69,85)	1.945 (49,40)	.400 (10,16)

COVERED SPACERS

Molded in **Natural Nylon 6/6**

Micro Plastics Covered Spacers are molded in tough and resilient natural colored Nylon 6/6 plastic. Spacers fit a variety of tube diameters from 3/4" to 1 1/8" and have inside diameters from .218 to .375 for attachment screws. Covered Spacers are used for attaching parts to rods, tubes, or curved contours.

ITEM NUMBER	TUBE OD (Ref.)	OD	ID	LENGTH
13CS0001	.750 (19,05)	.750 (19,05)	.260 (6,60)	.125 (3,18)
13CS0002	.875 (22,23)	.843 (21,41)	.257 (6,53)	.156 (3,96)
13CS0003	1.000 (25,40)	.835 (21,21)	.218 (5,54)	.500 (12,70)
13CS0004	1.00 (25,40)	1.000 (25,40)	.260 (6,60)	.250 (6,35)
13CS0005	1.00 (25,40)	1.000 (25,40)	.325 (8,26)	.250 (6,35)
13CS0006	1.100 (27,94)	1.000 (25,40)	.250 (6,35)	.125 (3,18)
13CS0007	1.125 (28,58)	.875 (22,23)	.375 (9,53)	.250 (6,35)
13CS0009	1.000 (25,40)	.984 (24,99)	.323 (8,20)	.157 (3,99)
13CS0013	1.250 (31,75)	1.260 (32,00)	.409(10,38)	.134 (3,40)

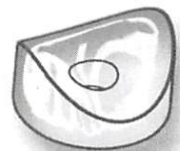


COVERED SPACERS FOR 90° Flat or Oval Head Screw

Molded in **Natural Nylon 6/6**

ITEM NUMBER	TUBE OD (Ref.)	OD	ID	LENGTH
13CS0008	.996 (25,30)	.866 (22,00)	.323 (8,20)	.217 (5,51)
13CS0010	1.125 (28,57)	.750 (19,05)	.257 (6,52)	.085 (2,15)
13CS0011	1" (25,4)	.875 (22,22)	.375 (9,52)	.250 (6,35)
13CS0012	.875 (22,2)	.750 (19,05)	.318 (8,07)	.070 (1,77)

**New
SIZES**



SPACERS

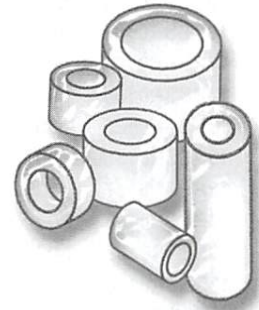
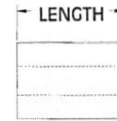
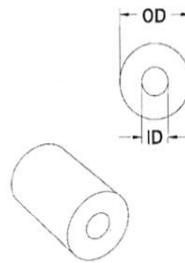
ROUND SPECIAL STANDARD SPACERS

Molded in **Natural Nylon 6/6**

New
SIZES

SECTION
V

ITEM NUMBER	OD		ID		LENGTH	
13RSSR0001	.125	(3,17)	.064	(1,62)	.125	(3,17)
13RSSR0002	.125	(3,17)	.090	(2,28)	.125	(3,17)
13RSSR0003	.125	(3,17)	.064	(1,62)	.188	(4,77)
13RSSR0004	.125	(3,17)	.090	(2,28)	.188	(4,77)
13RSSR0005	.125	(3,17)	.064	(1,62)	.250	(6,35)
13RSSR0006	.125	(3,17)	.090	(2,28)	.250	(6,35)
13RSSR0007	.125	(3,17)	.064	(1,62)	.312	(7,92)
13RSSR0008	.125	(3,17)	.090	(2,28)	.312	(7,92)
13RSSR0009	.125	(3,17)	.064	(1,62)	.375	(9,52)
13RSSR0010	.125	(3,17)	.090	(2,28)	.375	(9,52)
13RSSR0011	.188	(4,77)	.115	(2,92)	.156	(3,96)
13RSSR0012	.188	(4,77)	.090	(2,28)	.219	(5,56)
13RSSR0013	.188	(4,77)	.115	(2,92)	.219	(5,56)
13RSSR0014	.188	(4,77)	.090	(2,28)	.281	(7,13)
13RSSR0015	.188	(4,77)	.090	(2,28)	.344	(8,73)
13RSSR0016	.188	(4,77)	.090	(2,28)	.406	(10,31)
13RSSR0017	.188	(4,77)	.115	(2,92)	.406	(10,31)
13RSSR0018	.188	(4,77)	.090	(2,28)	.469	(11,91)
13RSSR0019	.188	(4,77)	.115	(2,92)	.469	(11,91)
13RSSR0020	.250	(6,35)	.090	(2,28)	.156	(3,96)
13RSSR0021	.250	(6,35)	.115	(2,92)	.156	(3,96)
13RSSR0022	.250	(6,35)	.140	(3,56)	.156	(3,96)
13RSSR0023	.250	(6,35)	.166	(4,21)	.156	(3,96)
13RSSR0024	.250	(6,35)	.090	(2,28)	.219	(5,56)
13RSSR0025	.250	(6,35)	.115	(2,92)	.219	(5,56)
13RSSR0026	.250	(6,35)	.140	(3,56)	.219	(5,56)
13RSSR0027	.250	(6,35)	.166	(4,21)	.219	(5,56)
13RSSR0028	.250	(6,35)	.090	(2,28)	.281	(7,13)
13RSSR0029	.250	(6,35)	.115	(2,92)	.281	(7,13)
13RSSR0030	.250	(6,35)	.140	(3,56)	.281	(7,13)
13RSSR0031	.250	(6,35)	.166	(4,21)	.281	(7,13)
13RSSR0032	.250	(6,35)	.090	(2,28)	.344	(8,73)
13RSSR0033	.250	(6,35)	.115	(2,92)	.344	(8,73)
13RSSR0034	.250	(6,35)	.140	(3,56)	.344	(8,73)
13RSSR0035	.250	(6,35)	.166	(4,21)	.344	(8,73)
13RSSR0036	.250	(6,35)	.090	(2,28)	.406	(10,31)
13RSSR0037	.250	(6,35)	.115	(2,92)	.406	(10,31)
13RSSR0038	.250	(6,35)	.140	(3,56)	.406	(10,31)
13RSSR0039	.250	(6,35)	.166	(4,21)	.406	(10,31)
13RSSR0040	.250	(6,35)	.090	(2,28)	.469	(11,91)
13RSSR0041	.250	(6,35)	.115	(2,92)	.469	(11,91)
13RSSR0042	.250	(6,35)	.140	(3,56)	.469	(11,91)
13RSSR0043	.250	(6,35)	.166	(4,21)	.469	(11,91)
13RSSR0044	.312	(7,92)	.140	(3,56)	.156	(3,96)
13RSSR0045	.312	(7,92)	.166	(4,21)	.156	(3,96)
13RSSR0046	.312	(7,92)	.192	(4,87)	.156	(3,96)
13RSSR0047	.312	(7,92)	.140	(3,56)	.219	(5,56)
13RSSR0048	.312	(7,92)	.166	(4,21)	.219	(5,56)
13RSSR0049	.312	(7,92)	.192	(4,87)	.219	(5,56)
13RSSR0050	.312	(7,92)	.166	(4,21)	.281	(7,13)
13RSSR0051	.312	(7,92)	.192	(4,87)	.281	(7,13)
13RSSR0052	.312	(7,92)	.140	(3,56)	.344	(8,73)
13RSSR0053	.312	(7,92)	.166	(4,21)	.344	(8,73)
13RSSR0054	.312	(7,92)	.192	(4,87)	.344	(8,73)
13RSSR0055	.312	(7,92)	.140	(3,56)	.406	(10,31)
13RSSR0056	.312	(7,92)	.166	(4,21)	.406	(10,31)



ITEM NUMBER	OD		ID		LENGTH	
13RSSR0057	.312	(7,92)	.192	(4,87)	.406	(10,31)
13RSSR0058	.312	(7,92)	.140	(3,56)	.469	(11,91)
13RSSR0059	.312	(7,92)	.166	(4,21)	.469	(11,91)
13RSSR0060	.312	(7,92)	.192	(4,87)	.469	(11,91)
13RSSR0061	.375	(9,52)	.140	(3,55)	.156	(3,96)
13RSSR0062	.375	(9,52)	.166	(4,21)	.156	(3,96)
13RSSR0063	.375	(9,52)	.192	(4,87)	.156	(3,96)
13RSSR0064	.375	(9,52)	.252	(6,40)	.156	(3,96)
13RSSR0065	.375	(9,52)	.140	(3,55)	.219	(5,56)
13RSSR0066	.375	(9,52)	.166	(4,21)	.219	(5,56)
13RSSR0067	.375	(9,52)	.192	(4,87)	.219	(5,56)
13RSSR0068	.375	(9,52)	.218	(5,54)	.219	(5,56)
13RSSR0069	.375	(9,52)	.252	(6,40)	.219	(5,56)
13RSSR0070	.375	(9,52)	.140	(3,55)	.281	(7,13)
13RSSR0071	.375	(9,52)	.166	(4,21)	.281	(7,13)
13RSSR0072	.375	(9,52)	.192	(4,87)	.281	(7,13)
13RSSR0073	.375	(9,52)	.218	(5,54)	.281	(7,13)
13RSSR0074	.375	(9,52)	.252	(6,40)	.281	(7,13)
13RSSR0075	.375	(9,52)	.166	(4,21)	.344	(8,73)
13RSSR0076	.375	(9,52)	.192	(4,87)	.344	(8,73)
13RSSR0077	.375	(9,52)	.218	(5,54)	.344	(8,73)
13RSSR0078	.375	(9,52)	.252	(6,40)	.344	(8,73)
13RSSR0079	.375	(9,52)	.140	(3,55)	.406	(10,31)
13RSSR0080	.375	(9,52)	.166	(4,21)	.406	(10,31)
13RSSR0081	.375	(9,52)	.192	(4,87)	.406	(10,31)
13RSSR0082	.375	(9,52)	.218	(5,54)	.406	(10,31)
13RSSR0083	.375	(9,52)	.252	(6,40)	.406	(10,31)
13RSSR0084	.375	(9,52)	.140	(3,55)	.469	(11,91)
13RSSR0085	.375	(9,52)	.166	(4,21)	.469	(11,91)
13RSSR0086	.375	(9,52)	.192	(4,87)	.469	(11,91)
13RSSR0087	.375	(9,52)	.218	(5,54)	.469	(11,91)
13RSSR0088	.375	(9,52)	.252	(6,40)	.469	(11,91)
13RSSR0089	.500	(12,70)	.315	(8,00)	.125	(3,17)
13RSSR0090	.500	(12,70)	.380	(9,65)	.125	(3,17)
13RSSR0091	.500	(12,70)	.315	(8,00)	.188	(4,77)
13RSSR0092	.500	(12,70)	.380	(9,65)	.188	(4,77)
13RSSR0093	.500	(12,70)	.315	(8,00)	.250	(6,35)
13RSSR0094	.500	(12,70)	.380	(9,65)	.250	(6,35)
13RSSR0095	.500	(12,70)	.315	(8,00)	.312	(7,92)
13RSSR0096	.500	(12,70)	.380	(9,65)	.312	(7,92)
13RSSR0097	.500	(12,70)	.315	(8,00)	.375	(9,52)
13RSSR0098	.500	(12,70)	.380	(9,65)	.375	(9,52)



Get quote >>

Angic Global Solutions

1-888-872-0690

TELEPHONE: (877)

croplastics.com •

<https://www.AngicGlobal.com> Sales@AngicGlobal.com

INC. 123

SPACERS

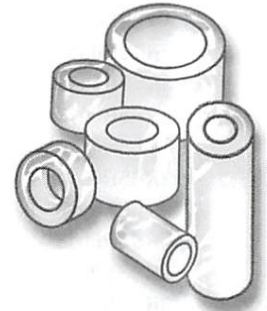
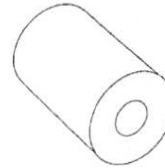
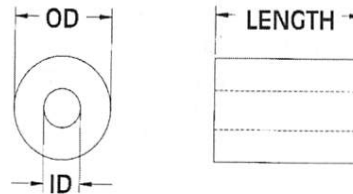
SECTION
V

ROUND SPECIAL STANDARD SPACERS

Molded in **Natural Nylon 6/6**

**New
SIZES**

ITEM NUMBER	OD	ID	LENGTH
13RSSR0099	.500 (12,70)	.315 (8,00)	.437 (11,09)
13RSSR0100	.500 (12,70)	.380 (9,65)	.437 (11,09)
13RSSR0101	.500 (12,70)	.315 (8,00)	.500 (12,70)
13RSSR0102	.500 (12,70)	.380 (9,65)	.500 (12,70)
13RSSR0103	.500 (12,70)	.315 (8,00)	.563 (14,30)
13RSSR0104	.500 (12,70)	.380 (9,65)	.563 (14,30)
13RSSR0105	.500 (12,70)	.315 (8,00)	.625 (15,88)
13RSSR0106	.500 (12,70)	.380 (9,65)	.625 (15,88)
13RSSR0107	.500 (12,70)	.315 (8,00)	.688 (17,47)
13RSSR0108	.500 (12,70)	.380 (9,65)	.688 (17,47)
13RSSR0109	.500 (12,70)	.315 (8,00)	.750 (19,05)
13RSSR0110	.500 (12,70)	.380 (9,65)	.750 (19,05)
13RSSR0111	.500 (12,70)	.315 (8,00)	.813 (20,65)
13RSSR0112	.500 (12,70)	.380 (9,65)	.813 (20,65)
13RSSR0113	.500 (12,70)	.315 (8,00)	.875 (22,23)
13RSSR0114	.500 (12,70)	.380 (9,65)	.875 (22,23)
13RSSR0115	.500 (12,70)	.315 (8,00)	.938 (23,82)
13RSSR0116	.500 (12,70)	.380 (9,65)	.938 (23,82)
13RSSR0117	.500 (12,70)	.315 (8,00)	1.000 (25,40)
13RSSR0118	.500 (12,70)	.380 (9,65)	1.000 (25,40)
13RSSR0119	.500 (12,70)	.315 (8,00)	1.062 (26,97)
13RSSR0120	.500 (12,70)	.380 (9,65)	1.062 (26,97)
13RSSR0121	.500 (12,70)	.315 (8,00)	1.125 (28,57)
13RSSR0122	.500 (12,70)	.380 (9,65)	1.125 (28,57)
13RSSR0123	.500 (12,70)	.315 (8,00)	1.188 (30,17)
13RSSR0124	.500 (12,70)	.380 (9,65)	1.188 (30,17)
13RSSR0125	.500 (12,70)	.315 (8,00)	1.250 (31,75)
13RSSR0126	.500 (12,70)	.380 (9,65)	1.250 (31,75)
13RSSR0127	.500 (12,70)	.315 (8,00)	1.312 (33,32)
13RSSR0128	.500 (12,70)	.380 (9,65)	1.312 (33,32)
13RSSR0129	.500 (12,70)	.315 (8,00)	1.375 (34,92)
13RSSR0130	.500 (12,70)	.380 (9,65)	1.375 (34,92)
13RSSR0131	.500 (12,70)	.315 (8,00)	1.437 (36,49)
13RSSR0132	.500 (12,70)	.380 (9,65)	1.437 (36,49)
13RSSR0133	.500 (12,70)	.315 (8,00)	1.500 (38,10)
13RSSR0134	.500 (12,70)	.380 (9,65)	1.500 (38,10)
13RSSR0135	.500 (12,70)	.315 (8,00)	1.750 (44,45)
13RSSR0136	.500 (12,70)	.380 (9,65)	1.750 (44,45)
13RSSR0137	.500 (12,70)	.315 (8,00)	2.000 (50,80)
13RSSR0138	.500 (12,70)	.380 (9,65)	2.000 (50,80)
13RSSR0139	.625 (15,87)	.192 (4,87)	.250 (6,35)
13RSSR0140	.625 (15,87)	.252 (6,40)	.250 (6,35)
13RSSR0141	.625 (15,87)	.315 (8,00)	.250 (6,35)
13RSSR0142	.625 (15,87)	.380 (9,65)	.250 (6,35)
13RSSR0143	.625 (15,87)	.192 (4,87)	.312 (7,92)
13RSSR0144	.625 (15,87)	.252 (6,40)	.312 (7,92)
13RSSR0145	.625 (15,87)	.315 (8,00)	.312 (7,92)
13RSSR0146	.625 (15,87)	.380 (9,65)	.312 (7,92)
13RSSR0147	.625 (15,87)	.192 (4,87)	.375 (9,52)
13RSSR0148	.625 (15,87)	.252 (6,40)	.375 (9,52)
13RSSR0149	.625 (15,87)	.315 (8,00)	.375 (9,52)
13RSSR0150	.625 (15,87)	.380 (9,65)	.375 (9,52)
13RSSR0151	.625 (15,87)	.192 (4,87)	.437 (11,09)
13RSSR0152	.625 (15,87)	.252 (6,40)	.437 (11,09)
13RSSR0153	.625 (15,87)	.315 (8,00)	.437 (11,09)
13RSSR0154	.625 (15,87)	.380 (9,65)	.437 (11,09)



ITEM NUMBER	OD	ID	LENGTH
13RSSR0155	.625 (15,87)	.192 (4,87)	.500 (12,70)
13RSSR0156	.625 (15,87)	.252 (6,40)	.500 (12,70)
13RSSR0157	.625 (15,87)	.380 (9,65)	.500 (12,70)
13RSSR0158	.625 (15,87)	.192 (4,87)	.563 (14,30)
13RSSR0159	.625 (15,87)	.252 (6,40)	.563 (14,30)
13RSSR0160	.625 (15,87)	.315 (8,00)	.563 (14,30)
13RSSR0161	.625 (15,87)	.380 (9,65)	.563 (14,30)
13RSSR0162	.625 (15,87)	.192 (4,87)	.625 (15,88)
13RSSR0163	.625 (15,87)	.252 (6,40)	.625 (15,88)
13RSSR0164	.625 (15,87)	.315 (8,00)	.625 (15,88)
13RSSR0165	.625 (15,87)	.192 (4,87)	.750 (19,05)
13RSSR0166	.625 (15,87)	.252 (6,40)	.750 (19,05)
13RSSR0167	.625 (15,87)	.315 (8,00)	.750 (19,05)
13RSSR0168	.625 (15,87)	.380 (9,65)	.750 (19,05)
13RSSR0169	.625 (15,87)	.192 (4,87)	.875 (22,23)
13RSSR0170	.625 (15,87)	.250 (6,35)	.875 (22,23)
13RSSR0171	.625 (15,87)	.315 (8,00)	.875 (22,23)
13RSSR0172	.625 (15,87)	.380 (9,65)	.875 (22,23)
13RSSR0173	.625 (15,87)	.192 (4,87)	1.000 (25,40)
13RSSR0174	.625 (15,87)	.252 (6,40)	1.000 (25,40)
13RSSR0175	.625 (15,87)	.315 (8,00)	1.000 (25,40)
13RSSR0176	.625 (15,87)	.380 (9,65)	1.000 (25,40)
13RSSR0177	.625 (15,87)	.192 (4,87)	1.125 (28,57)
13RSSR0178	.625 (15,87)	.252 (6,40)	1.125 (28,57)
13RSSR0179	.625 (15,87)	.315 (8,00)	1.125 (28,57)
13RSSR0180	.625 (15,87)	.380 (9,65)	1.125 (28,57)
13RSSR0181	.625 (15,87)	.192 (4,87)	1.250 (31,75)
13RSSR0182	.625 (15,87)	.252 (6,40)	1.250 (31,75)
13RSSR0183	.625 (15,87)	.315 (8,00)	1.250 (31,75)
13RSSR0184	.625 (15,87)	.380 (9,65)	1.250 (31,75)
13RSSR0185	.625 (15,87)	.192 (4,87)	1.375 (34,92)
13RSSR0186	.625 (15,87)	.252 (6,40)	1.375 (34,92)
13RSSR0187	.625 (15,87)	.315 (8,00)	1.375 (34,92)
13RSSR0188	.625 (15,87)	.380 (9,65)	1.375 (34,92)
13RSSR0189	.625 (15,87)	.192 (4,87)	1.500 (38,10)
13RSSR0190	.625 (15,87)	.252 (6,40)	1.500 (38,10)



SPACERS

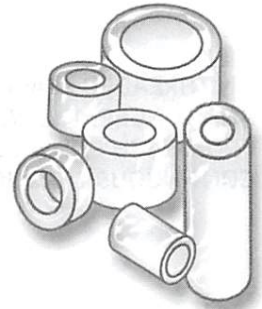
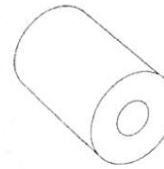
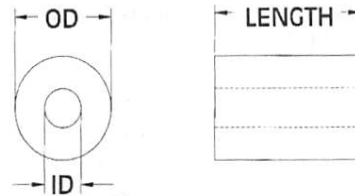
ROUND SPECIAL STANDARD SPACERS

Molded in **Natural Nylon 6/6**

SECTION
V

**New
SIZES**

ITEM NUMBER	OD	ID	LENGTH
13RSSR0191	.625 (15,87)	.315 (8,00)	1.500 (38,10)
13RSSR0192	.625 (15,87)	.380 (9,65)	1.500 (38,10)
13RSSR0193	.625 (15,87)	.192 (4,87)	1.750 (44,45)
13RSSR0194	.625 (15,87)	.252 (6,40)	1.750 (44,45)
13RSSR0195	.625 (15,87)	.315 (8,00)	1.750 (44,45)
13RSSR0196	.625 (15,87)	.380 (9,65)	1.750 (44,45)
13RSSR0197	.625 (15,87)	.192 (4,87)	2.000 (50,80)
13RSSR0198	.625 (15,87)	.252 (6,40)	2.000 (50,80)
13RSSR0199	.625 (15,87)	.315 (8,00)	2.000 (50,80)
13RSSR0200	.625 (15,87)	.380 (9,65)	2.000 (50,80)
13RSSR0201	.750 (19,05)	.315 (8,00)	.375 (9,52)
13RSSR0202	.750 (19,05)	.380 (9,65)	.375 (9,52)
13RSSR0203	.750 (19,05)	.505 (12,82)	.375 (9,52)
13RSSR0204	.750 (19,05)	.380 (9,65)	.500 (12,70)
13RSSR0205	.750 (19,05)	.505 (12,82)	.500 (12,70)
13RSSR0206	.750 (19,05)	.315 (8,00)	.625 (15,87)
13RSSR0207	.750 (19,05)	.380 (9,65)	.625 (15,87)
13RSSR0208	.750 (19,05)	.505 (12,82)	.625 (15,87)
13RSSR0209	.750 (19,05)	.380 (9,65)	.750 (19,05)
13RSSR0210	.750 (19,05)	.505 (12,82)	.750 (19,05)
13RSSR0211	.750 (19,05)	.315 (8,00)	.875 (22,23)
13RSSR0212	.750 (19,05)	.380 (9,65)	.875 (22,23)
13RSSR0213	.750 (19,05)	.505 (12,82)	.875 (22,23)
13RSSR0214	.750 (19,05)	.315 (8,00)	1.000 (25,40)
13RSSR0215	.750 (19,05)	.380 (9,65)	1.000 (25,40)
13RSSR0216	.750 (19,05)	.505 (12,82)	1.000 (25,40)
13RSSR0217	.750 (19,05)	.315 (8,00)	1.250 (31,75)
13RSSR0218	.750 (19,05)	.380 (9,65)	1.250 (31,75)
13RSSR0219	.750 (19,05)	.505 (12,82)	1.250 (31,75)
13RSSR0220	.750 (19,05)	.315 (8,00)	1.500 (38,10)
13RSSR0221	.750 (19,05)	.380 (9,65)	1.500 (38,10)
13RSSR0222	.750 (19,05)	.505 (12,82)	1.500 (38,10)
13RSSR0223	.750 (19,05)	.315 (8,00)	1.750 (44,45)
13RSSR0224	.750 (19,05)	.380 (9,65)	1.750 (44,45)
13RSSR0225	.750 (19,05)	.505 (12,82)	1.750 (44,45)
13RSSR0226	.750 (19,05)	.315 (8,00)	2.000 (50,80)
13RSSR0227	.750 (19,05)	.380 (9,65)	2.000 (50,80)
13RSSR0228	.750 (19,05)	.505 (12,82)	2.000 (50,80)
13RSSR0229	1.000 (25,40)	.505 (12,82)	.375 (9,52)
13RSSR0230	1.000 (25,40)	.630 (16,00)	.375 (9,52)
13RSSR0231	1.000 (25,40)	.505 (12,82)	.500 (12,70)
13RSSR0232	1.000 (25,40)	.630 (16,00)	.500 (12,70)
13RSSR0233	1.000 (25,40)	.505 (12,82)	.750 (19,05)
13RSSR0234	1.000 (25,40)	.630 (16,00)	.750 (19,05)
13RSSR0235	1.000 (25,40)	.505 (12,82)	1.000 (25,40)
13RSSR0236	1.000 (25,40)	.630 (16,00)	1.000 (25,40)
13RSSR0237	1.000 (25,40)	.505 (12,82)	1.500 (38,10)
13RSSR0238	1.000 (25,40)	.630 (16,00)	1.500 (38,10)
13RSSR0239	1.000 (25,40)	.505 (12,82)	2.000 (50,80)
13RSSR0240	1.000 (25,40)	.630 (16,00)	2.000 (50,80)
13RSSR0241	1.500 (38,10)	.755 (19,17)	.375 (9,52)
13RSSR0242	1.500 (38,10)	1.000 (25,40)	.375 (9,52)
13RSSR0243	1.500 (38,10)	.755 (19,17)	.500 (12,70)
13RSSR0244	1.500 (38,10)	1.000 (25,40)	.500 (12,70)
13RSSR0245	1.500 (38,10)	.755 (19,17)	.750 (19,05)
13RSSR0246	1.500 (38,10)	1.000 (25,40)	.750 (19,05)



ITEM NUMBER	OD	ID	LENGTH
13RSSR0247	1.500 (38,10)	.755 (19,17)	1.000 (25,40)
13RSSR0248	1.500 (38,10)	1.000 (25,40)	1.000 (25,40)
13RSSR0249	1.500 (38,10)	.750 (19,05)	1.500 (38,10)
13RSSR0250	1.500 (38,10)	1.000 (25,40)	1.500 (38,10)
13RSSR0251	1.500 (38,10)	.755 (19,17)	2.000 (50,80)
13RSSR0252	1.500 (38,10)	1.000 (25,40)	2.000 (50,80)
13RSSR0299	.500 (12,70)	.166 (4,21)	2.250 (57,15)
13RSSR0300	.500 (12,70)	.192 (4,87)	2.250 (57,15)
13RSSR0304	.500 (12,70)	.140 (3,55)	2.500 (63,50)
13RSSR0305	.500 (12,70)	.166 (4,21)	2.500 (63,50)
13RSSR0306	.500 (12,70)	.192 (4,87)	2.500 (63,50)
13RSSR0311	.500 (12,70)	.166 (4,21)	2.750 (69,85)
13RSSR0320	.625 (15,87)	.192 (4,87)	2.250 (57,15)
13RSSR0321	.625 (15,87)	.255 (6,47)	2.250 (57,15)
13RSSR0322	.625 (15,87)	.315 (8,00)	2.250 (57,15)
13RSSR0324	.625 (15,87)	.192 (4,87)	2.500 (63,50)
13RSSR0325	.625 (15,87)	.255 (6,47)	2.500 (63,50)
13RSSR0326	.625 (15,87)	.315 (8,00)	2.500 (63,50)
13RSSR0328	.625 (15,87)	.192 (4,87)	2.750 (69,85)
13RSSR0329	.625 (15,87)	.255 (6,47)	2.750 (69,85)
13RSSR0330	.625 (15,87)	.315 (8,00)	2.750 (69,85)
13RSSR0333	.625 (15,87)	.255 (6,47)	3.000 (76,20)
13RSSR0336	.750 (19,05)	.315 (8,00)	2.250 (57,15)
13RSSR0337	.750 (19,05)	.380 (9,65)	2.250 (57,15)
13RSSR0339	.750 (19,05)	.315 (8,00)	2.500 (63,50)
13RSSR0340	.750 (19,05)	.380 (9,65)	2.500 (63,50)
13RSSR0342	.750 (19,05)	.315 (8,00)	2.750 (69,85)
13RSSR0343	.750 (19,05)	.380 (9,65)	2.750 (69,85)
13RSSR0345	.750 (19,05)	.315 (8,00)	3.000 (76,20)
13RSSR0346	.750 (19,05)	.380 (9,65)	3.000 (76,20)
13RSSR0348	1.000 (25,40)	.505 (12,82)	2.250 (57,15)
13RSSR0349	1.000 (25,40)	.630 (16,00)	2.250 (57,15)
13RSSR0357	1.500 (38,10)	1.005 (25,52)	2.250 (57,15)
13RSSR0358	1.500 (38,01)	.750 (19,05)	2.500 (63,50)
13RSSR0359	1.500 (38,01)	1.005 (25,52)	2.500 (63,50)
13RSSR0364	.500 (12,70)	.257 (6,52)	1.438 (36,52)



Get quote »

croplastics.com •

Angic Global Solutions

1-888-872-0690

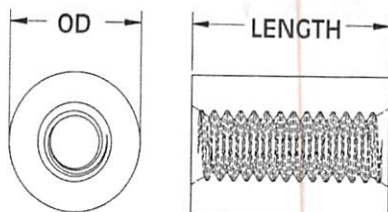
<https://www.AngicGlobal.com> Sales@AngicGlobal.com® INC. 125

TELEPHONE: (87)

SPACERS

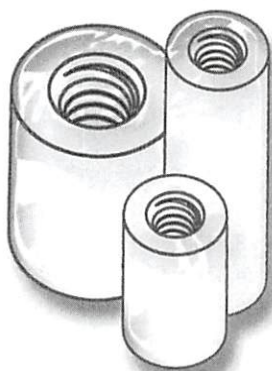
SECTION

V



NOTE:

ON THREADED SPACERS 3/4" AND LONGER, THE TAP IS 3/8" FROM EACH END AND NOT CONTINUOUS THROUGH.



Molded from Type 66 Nylon and then machine tapped, these spacers are low cost insulators that can be used in many electrical applications.

Special sizes can be made to order from our large untapped spacer inventory.

TAPPED SPACERS

Molded in **Natural Nylon 6/6**

ITEM NUMBER	DESCRIPTION	SCREW SIZE	THREAD	OD	LENGTH
15TSP055	TSP 55	2	2-56	3/16 (4,76)	7/16 (11,11)
15TSP056	TSP 56	2	2-56	3/16 (4,76)	1/2 (12,70)
15TSP106	TSP 106	4	4-40*	3/16 (4,76)	17/64 (6,73)
15TSP057	TSP 57	2	2-56	1/4 (6,35)	1/4 (6,35)
15TSP001	TSP 1	4	4-40*	1/4 (6,35)	1/4 (6,35)
15TSP050	TSP 50	4	4-40*	1/4 (6,35)	5/16 (7,94)
15TSP002	TSP 2	4	4-40*	1/4 (6,35)	3/8 (9,53)
15TSP003	TSP 3	4	4-40*	1/4 (6,35)	1/2 (12,70)
15TSP036	TSP 36	4	4-40*	1/4 (6,35)	5/8 (15,88)
15TSP004	TSP 4	4	4-40*	1/4 (6,35)	3/4 (19,05)
15TSP037	TSP 37	4	4-40*	1/4 (6,35)	7/8 (22,22)
15TSP005	TSP 5	4	4-40*	1/4 (6,35)	1 (25,40)
15TSP006	TSP 6	6	6-32**	1/4 (6,35)	1/4 (6,35)
15TSP054	TSP 54	6	6-32**	1/4 (6,35)	5/16 (7,94)
15TSP007	TSP 7	6	6-32**	1/4 (6,35)	3/8 (9,53)
15TSP008	TSP 8	6	6-32**	1/4 (6,35)	1/2 (12,70)
15TSP051	TSP 51	6	6-32**	1/4 (6,35)	9/16 (14,29)
15TSP038	TSP 38	6	6-32**	1/4 (6,35)	5/8 (15,88)
15TSP009	TSP 9	6	6-32**	1/4 (6,35)	3/4 (19,05)
15TSP052	TSP 52	6	6-32**	1/4 (6,35)	15/16 (23,81)
15TSP039	TSP 39	6	6-32**	1/4 (6,35)	7/8 (22,22)
15TSP010	TSP 10	6	6-32**	1/4 (6,35)	1 (25,40)
15TSP053	TSP 53	6	6-32**	1/4 (6,35)	1 1/2 (38,10)
15TSP011	TSP 11	8	8-32***	1/4 (6,35)	1/4 (6,35)
15TSP012	TSP 12	8	8-32***	1/4 (6,35)	3/8 (9,53)
15TSP013	TSP 13	8	8-32***	1/4 (6,35)	1/2 (12,70)
15TSP040	TSP 40	8	8-32***	1/4 (6,35)	5/8 (15,88)
15TSP014	TSP 14	8	8-32***	1/4 (6,35)	3/4 (19,05)
15TSP041	TSP 41	8	8-32***	1/4 (6,35)	7/8 (22,22)
15TSP015	TSP 15	8	8-32***	1/4 (6,35)	1 (25,40)
15TSP016	TSP 16	8	8-32***	5/16 (7,94)	1/4 (6,35)
15TSP017	TSP 17	8	8-32***	5/16 (7,94)	3/8 (9,53)
15TSP018	TSP 18	8	8-32***	5/16 (7,94)	1/2 (12,70)
15TSP042	TSP 42	8	8-32***	5/16 (7,94)	5/8 (15,88)
15TSP019	TSP 19	8	8-32***	5/16 (7,94)	3/4 (19,05)
15TSP043	TSP 43	8	8-32***	5/16 (7,94)	7/8 (22,22)
15TSP020	TSP 20	8	8-32***	5/16 (7,94)	1 (25,40)
15TSP021	TSP 21	10	10-32****	3/8 (9,53)	1/4 (6,35)
15TSP022	TSP 22	10	10-32****	3/8 (9,53)	3/8 (9,53)
15TSP023	TSP 23	10	10-32****	3/8 (9,53)	1/2 (12,70)

*NOTE THESE ITEMS ARE AVAILABLE IN METRIC THREADS.

4-40* Available in M3 Thread
6-32** Available in M3.5 Thread

8-32*** Available in M4 Thread
10-32**** Available in M5 Thread



SPACERS

SECTION
V

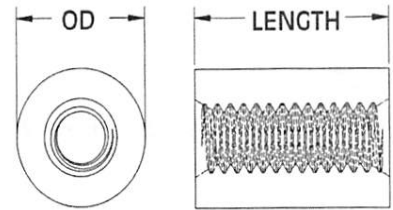
To order metric threads, simply add an M to the Part Number.

EXAMPLE: 15TSP006 with a 6-32 Thread,
Becomes 15MTSP006 with a M3.5 Thread

TAPPED SPACERS

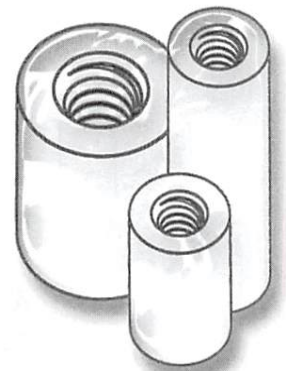
Molded in **Natural Nylon 6/6**

ITEM NUMBER	DESCRIPTION	SCREW SIZE	THREAD	OD	LENGTH
15TSP044	TSP 44	10	10-32****	3/8 (9,53)	5/8 (15,88)
15TSP024	TSP 24	10	10-32****	3/8 (9,53)	3/4 (19,05)
15TSP045	TSP 45	10	10-32****	3/8 (9,53)	7/8 (22,22)
15TSP025	TSP 25	10	10-32****	3/8 (9,53)	1 (25,40)
15TSP026	TSP 26	10	10-32****	1/2 (12,70)	1/4 (6,35)
15TSP027	TSP 27	10	10-32****	1/2 (12,70)	3/8 (9,53)
15TSP028	TSP 28	10	10-32****	1/2 (12,70)	1/2 (12,70)
15TSP046	TSP 46	10	10-32****	1/2 (12,70)	5/8 (15,88)
15TSP029	TSP 29	10	10-32****	1/2 (12,70)	3/4 (19,05)
15TSP047	TSP 47	10	10-32****	1/2 (12,70)	7/8 (22,22)
15TSP030	TSP 30	10	10-32****	1/2 (12,70)	1 (25,40)
15TSP031	TSP 31	1/4	1/4-20	1/2 (12,70)	1/4 (6,35)
15TSP032	TSP 32	1/4	1/4-20	1/2 (12,70)	3/8 (9,53)
15TSP033	TSP 33	1/4	1/4-20	1/2 (12,70)	1/2 (12,70)
15TSP048	TSP 48	1/4	1/4-20	1/2 (12,70)	5/8 (15,88)
15TSP034	TSP 34	1/4	1/4-20	1/2 (12,70)	3/4 (19,05)
15TSP049	TSP 49	1/4	1/4-20	1/2 (12,70)	7/8 (22,22)
15TSP035	TSP 35	1/4	1/4-20	1/2 (12,70)	1 (25,40)
15TSP058	TSP 58	2	2-56	3/16 (4,76)	3/8 (9,53)
15TSP099	TSP 99	4	4-40	3/16 (4,76)	5/32 (3,97)
15TSP100	TSP 100	4	4-40	3/16 (4,76)	3/16 (4,76)
15TSP101	TSP 101	4	4-40	3/16 (4,76)	1/4 (6,35)
15TSP102	TSP 102	4	4-40	3/16 (4,76)	5/16 (7,94)
15TSP103	TSP 103	4	4-40	3/16 (4,76)	3/8 (9,53)
15TSP104	TSP 104	4	4-40	3/16 (4,76)	7/16 (11,11)
15TSP105	TSP 105	4	4-40	3/16 (4,76)	1/2 (12,70)
15TSP107	TSP 107	4	4-40	3/16 (4,76)	5/8 (15,88)
15TSP109	TSP 109	4	4-40	3/16 (4,76)	3/4 (19,05)
15TSP111	TSP 111	4	4-40	3/16 (4,76)	7/8 (22,22)
15TSP115	TSP 115	4	4-40	3/16 (4,76)	1 (25,40)
15TSP140	TSP 140	6	6-32	3/16 (4,76)	3/16 (4,76)
15TSP141	TSP 141	6	6-32	3/16 (4,76)	1/4 (6,35)
15TSP142	TSP 142	6	6-32	3/16 (4,76)	5/16 (7,94)
15TSP143	TSP 143	6	6-32	3/16 (4,76)	3/8 (9,53)
15TSP144	TSP 144	6	6-32	3/16 (4,76)	7/16 (11,11)
15TSP145	TSP 145	6	6-32	3/16 (4,76)	1/2 (12,70)
15TSP147	TSP 147	6	6-32	3/16 (4,76)	5/8 (15,88)
15TSP149	TSP 149	6	6-32	3/16 (4,76)	3/4 (19,05)
15TSP151	TSP 151	6	6-32	3/16 (4,76)	7/8 (22,22)
15TSP152	TSP 152	1/4	1/4-20	3/4 (19,05)	.787 (0,59)
15TSP155	TSP 155	6	6-32	3/16 (4,76)	1 (25,40)
15TSP201	TSP 201	10	10-24	3/8 (9,53)	1 (25,40)
15TSP379	TSP 379	10	10-24	3/8 (9,53)	1.187 (30,15)



NOTE:
ON THREADED SPACERS 3/4" AND LONGER, THE TAP IS 3/8" FROM EACH END AND NOT CONTINUOUS THROUGH.

New SIZES



*NOTE THESE ITEMS ARE AVAILABLE IN METRIC THREADS.

4-40* Available in M3 Thread
6-32** Available in M3.5 Thread

8-32*** Available in M4 Thread
10-32**** Available in M5 Thread



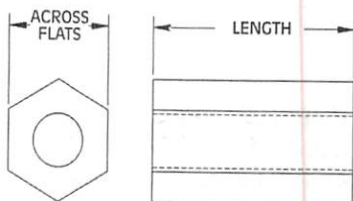
SPACERS

SECTION

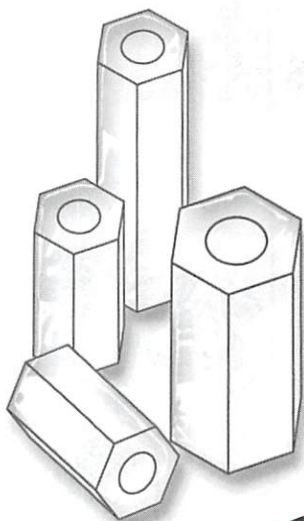
V

HEX SPACERS

Molded in **Natural Nylon 6/6**



All hex nylon spacers can be tapped two thread sizes larger than the screw size listed.



**New
SIZES**

Self-threading, use with tapping screws designed for plastics.

**METRIC Sizes
Also Available**

Page 281



ITEM NUMBER	DESCRIPTION	ID	SCREW SIZE	LENGTH	ACROSS FLATS
35HSP027	HSP 27	.072 (1,83)	2	9/32 (7,13)	3/16 (4,75)
35HSP112	HSP 112	.072 (1,83)	2	7/16 (11,11)	3/16 (4,75)
35HSP115	HSP 115	.072 (1,83)	2	5/16 (7,93)	3/16 (4,75)
35HSP114	HSP 114	.072 (1,83)	2	3/8 (9,53)	3/16 (4,75)
35HSP113	HSP 113	.075 (1,91)	2	9/16 (14,28)	3/16 (4,75)
35HSP118	HSP 118	.072 (1,83)	2	11/16 (17,45)	3/16 (4,75)
35HSP101	HSP 101	.091 (2,31)	4	1/4 (6,35)	3/16 (4,75)
35HSP102	HSP 102	.091 (2,31)	4	3/8 (9,53)	3/16 (4,75)
35HSP124	HSP 124	.091 (2,31)	4	3/4 (19,05)	3/16 (4,75)
35HSP103	HSP 103	.091 (2,31)	4	1/2 (12,70)	3/16 (4,75)
35HSP111	HSP 111	.091 (2,31)	4	9/16 (14,27)	3/16 (4,75)
35HSP119	HSP 119	.091 (2,31)	4	5/8 (15,88)	3/16 (4,75)
35HSP104	HSP 104	.091 (2,31)	4	7/16 (11,10)	3/16 (4,75)
35HSP116	HSP 116	.091 (2,31)	4	7/8 (22,22)	3/16 (4,75)
35HSP106	HSP 106	.115 (2,92)	6	1/4 (6,35)	3/16 (4,75)
35HSP107	HSP 107	.115 (2,92)	6	3/8 (9,53)	3/16 (4,75)
35HSP108	HSP 108	.115 (2,92)	6	1/2 (12,70)	3/16 (4,75)
35HSP120	HSP 120	.115 (2,92)	6	5/8 (15,88)	3/16 (4,75)
35HSP109	HSP 109	.115 (2,92)	6	3/4 (19,05)	3/16 (4,75)
35HSP209	HSP 209	.115 (2,92)	6	1/4 (6,35)	5/16 (7,92)
35HSP036	HSP 36	.115 (2,92)	6	1-1/2 (38,10)	1/4 (6,35)
35HSP001	HSP 1	.091 (2,31)	4	1/4 (6,35)	1/4 (6,35)
35HSP022	HSP 22	.091 (2,31)	4	5/16 (7,92)	1/4 (6,35)
35HSP002	HSP 2	.093 (2,36)	4	3/8 (9,53)	1/4 (6,35)
35HSP029	HSP 29	.091 (2,31)	4	7/16 (11,10)	1/4 (6,35)
35HSP003	HSP 3	.091 (2,31)	4	1/2 (12,70)	1/4 (6,35)
35HSP024	HSP 24	.091 (2,31)	4	9/16 (14,27)	1/4 (6,35)
35HSP019	HSP 19	.091 (2,31)	4	5/8 (15,88)	1/4 (6,35)
35HSP004	HSP 4	.091 (2,31)	4	3/4 (19,05)	1/4 (6,35)
35HSP016	HSP 16	.091 (2,31)	4	7/8 (22,22)	1/4 (6,35)
35HSP005	HSP 5	.091 (2,31)	4	1 (25,40)	1/4 (6,35)
35HSP037	HSP 37	.094 (2,39)	4	.826 (20,98)	1/4 (6,35)
35HSP038	HSP 38	.111 (2,82)	6	9/16 (14,29)	1/4 (6,35)
35HSP039	HSP 39	.091 (2,31)	4	1 3/8 (35,00)	1/4 (6,35)
35HSP035	HSP 35	.115 (2,92)	6	3/16 (4,75)	1/4 (6,35)
35HSP006	HSP 6	.115 (2,92)	6	1/4 (6,35)	1/4 (6,35)
35HSP026	HSP 26	.110 (2,79)	6	5/16 (7,92)	1/4 (6,35)
35HSP007	HSP 7	.115 (2,92)	6	3/8 (9,53)	1/4 (6,35)
35HSP040	HSP 40	.111 (2,82)	6	7/16 (11,11)	1/4 (6,35)
35HSP008	HSP 8	.115 (2,92)	6	1/2 (12,70)	1/4 (6,35)
35HSP020	HSP 20	.115 (2,92)	6	5/8 (15,88)	1/4 (6,35)
35HSP009	HSP 9	.115 (2,92)	6	3/4 (19,05)	1/4 (6,35)
35HSP017	HSP 17	.115 (2,92)	6	7/8 (22,22)	1/4 (6,35)
35HSP010	HSP 10	.115 (2,92)	6	1 (25,40)	1/4 (6,35)
35HSP023	HSP 23	.115 (2,92)	6	1-1/4 (31,75)	1/4 (6,35)
35HSP011	HSP 11	.140 (3,56)	8	1/4 (6,35)	1/4 (6,35)
35HSP012	HSP 12	.140 (3,56)	8	3/8 (9,53)	1/4 (6,35)
35HSP013	HSP 13	.140 (3,56)	8	1/2 (12,70)	1/4 (6,35)
35HSP021	HSP 21	.140 (3,56)	8	5/8 (15,88)	1/4 (6,35)
35HSP041	HSP 41	.134 (3,40)	8	43/64 (17,06)	1/4 (6,35)
35HSP014	HSP 14	.140 (3,56)	8	3/4 (19,05)	1/4 (6,35)
35HSP018	HSP 18	.140 (3,56)	8	7/8 (22,22)	1/4 (6,35)
35HSP015	HSP 15	.140 (3,56)	8	1 (25,40)	1/4 (6,35)
35HSP042	HSP 42	.140 (3,56)	8	1 1/8 (28,58)	1/4 (6,35)
35HSP208	HSP 208	.115 (2,92)	6	1/2 (12,70)	5/16 (7,92)
35HSP220	HSP 220	.115 (2,92)	6	7/8 (22,23)	5/16 (7,92)
35HSP225	HSP 225	.115 (2,92)	6	1-1/8 (28,58)	5/16 (7,92)
35HSP309	HSP 309	.110 (2,74)	6	3/4 (19,05)	3/8 (9,53)
35HSP207	HSP 207	.225 (5,72)	1/4	7/32 (5,56)	5/16 (7,92)
35HSP400	HSP 400	.196 (4,97)	1/4	1/2 (12,70)	3/8 (9,53)
35HSP401	HSP 401	.164 (4,16)	10	1/2 (12,70)	3/8 (9,53)
35HSP500	HSP 500	.110 (2,79)	6	1-5/8 (41,28)	1/2 (12,70)

SPACERS

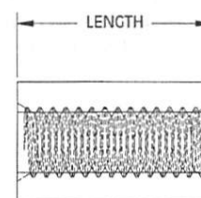
SECTION
V

ITEM NUMBER	DESCRIPTION	SCREW SIZE	THREAD	LENGTH	ACROSS FLATS
14HTSP027	HTSP 27	2	2-56	9/32 (7,13)	3/16 (4,75)
14HTSP112	HTSP 112	2	2-56	7/16 (11,11)	3/16 (4,75)
14HTSP115	HTSP 115	2	2-56	5/16 (7,94)	3/16 (4,75)
14HTSP114	HTSP 114	2	2-56	3/8 (9,53)	3/16 (4,75)
14HTSP113	HTSP 113	2	2-56	9/16 (14,28)	3/16 (4,75)
14HTSP118	HTSP 118	2	2-56	11/16 (17,45)	3/16 (4,75)
14HTSP101	HTSP 101	4	4-40*	1/4 (6,35)	3/16 (4,75)
14HTSP102	HTSP 102	4	4-40*	3/8 (9,53)	3/16 (4,75)
14HTSP124	HTSP 124	4	4-40*	3/4 (19,05)	3/16 (4,75)
14HTSP103	HTSP 103	4	4-40*	1/2 (12,70)	3/16 (4,75)
14HTSP111	HTSP 111	4	4-40*	9/16 (14,27)	3/16 (4,75)
14HTSP119	HTSP 119	4	4-40*	5/8 (15,88)	3/16 (4,75)
14HTSP104	HTSP 104	4	4-40*	7/16 (11,10)	3/16 (4,75)
14HTSP116	HTSP 116	4	4-40*	7/8 (22,22)	3/16 (4,75)
14HTSP106	HTSP 106	6	6-32**	1/4 (6,35)	3/16 (4,75)
14HTSP107	HTSP 107	6	6-32**	3/8 (9,53)	3/16 (4,75)
14HTSP108	HTSP 108	6	6-32**	1/2 (12,70)	3/16 (4,75)
14HTSP120	HTSP 120	6	6-32**	5/8 (15,88)	3/16 (4,75)
14HTSP109	HTSP 109	6	6-32**	3/4 (19,05)	3/16 (4,75)
14HTSP209	HTSP 209	6	6-32**	1/4 (6,35)	5/16 (7,92)
14HTSP036	HTSP 36	6	6-32**	1-1/2 (38,10)	1/4 (6,35)
14HTSP001	HTSP 1	4	4-40*	1/4 (6,35)	1/4 (6,35)
14HTSP022	HTSP 22	4	4-40*	5/16 (7,92)	1/4 (6,35)
14HTSP002	HTSP 2	4	4-40*	3/8 (9,53)	1/4 (6,35)
14HTSP029	HTSP 29	4	4-40*	7/16 (11,10)	1/4 (6,35)
14HTSP003	HTSP 3	4	4-40*	1/2 (12,70)	1/4 (6,35)
14HTSP024	HTSP 24	4	4-40*	9/16 (14,27)	1/4 (6,35)
14HTSP019	HTSP 19	4	4-40*	5/8 (15,88)	1/4 (6,35)
14HTSP004	HTSP 4	4	4-40*	3/4 (19,05)	1/4 (6,35)
14HTSP016	HTSP 16	4	4-40*	7/8 (22,22)	1/4 (6,35)
14HTSP037	HTSP 37	4	4-40*	.826 (20,98)	1/4 (6,35)
14HTSP005	HTSP 5	4	4-40*	1 (25,40)	1/4 (6,35)
14HTSP038	HTSP 38	6	6-32**	9/16(14,29)	1/4 (6,35)
14HTSP039	HTSP 39	4	4-40*	1-3/8 (34,93)	1/4 (6,35)
14HTSP035	HTSP 35	6	6-32**	3/16 (4,75)	1/4 (6,35)
14HTSP006	HTSP 6	6	6-32**	1/4 (6,35)	1/4 (6,35)
14HTSP026	HTSP 26	6	6-32**	5/16 (7,92)	1/4 (6,35)
14HTSP007	HTSP 7	6	6-32**	3/8 (9,53)	1/4 (6,35)
14HTSP040	HTSP 40	6	6-32**	7/16 (11,11)	1/4 (6,35)
14HTSP008	HTSP 8	6	6-32**	1/2 (12,70)	1/4 (6,35)
14HTSP020	HTSP 20	6	6-32**	5/8 (15,88)	1/4 (6,35)
14HTSP009	HTSP 9	6	6-32**	3/4 (19,05)	1/4 (6,35)
14HTSP017	HTSP 17	6	6-32**	7/8 (22,22)	1/4 (6,35)
14HTSP010	HTSP 10	6	6-32**	1 (25,40)	1/4 (6,35)
14HTSP023	HTSP 23	6	6-32**	1-1/4 (31,75)	1/4 (6,35)
14HTSP011	HTSP 11	8	8-32***	1/4 (6,35)	1/4 (6,35)
14HTSP012	HTSP 12	8	8-32***	3/8 (9,53)	1/4 (6,35)
14HTSP013	HTSP 13	8	8-32***	1/2 (12,70)	1/4 (6,35)
14HTSP021	HTSP 21	8	8-32***	5/8 (15,88)	1/4 (6,35)
14HTSP041	HTSP 41	8	8-32***	43/64 (17,06)	1/4 (6,35)
14HTSP014	HTSP 14	8	8-32***	3/4 (19,05)	1/4 (6,35)
14HTSP018	HTSP 18	8	8-32***	7/8 (22,22)	1/4 (6,35)
14HTSP015	HTSP 15	8	8-32***	1 (25,40)	1/4 (6,35)
14HTSP042	HTSP 42	8	8-32***	1 1/8 (28,58)	1/4 (6,35)
14HTSP208	HTSP 208	6	6-32**	1/2 (12,70)	5/16 (7,92)
14HTSP210	HTSP 210	6	6-32	3/4 (19,05)	5/16 (7,92)
14HTSP220	HTSP 220	6	6-32**	7/8 (22,22)	5/16 (7,92)
14HTSP225	HTSP 225	6	6-32**	1-1/8 (28,58)	5/16 (7,92)
14HTSP309	HTSP 309	6	6-32**	3/4 (19,05)	3/8 (9,53)
14HTSP207	HTSP 207	1/4	1/4-20	7/32 (5,56)	5/16 (7,92)
14HTSP400	HTSP 400	1/4	1/4-20	1/2 (12,70)	3/8 (9,53)
14HTSP401	HTSP 401	10	10-32	1/2 (12,70)	3/8 (9,53)
14HTSP500	HTSP 500	6	6-32**	1-5/8 (41,28)	1/2 (12,70)

*NOTE THESE ITEMS ARE AVAILABLE IN METRIC THREADS.
4-40* Available in M3 Thread
6-32** Available in M3.5 Thread
8-32*** Available in M4 Thread

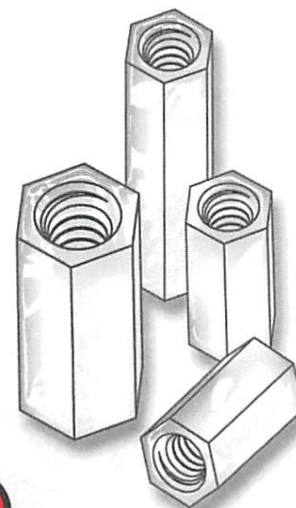
HEX TAPPED SPACERS

Molded in Natural Nylon 6/6



NOTE: no thru hole

NOTE:
ON THREADED SPACERS 3/4"
AND LONGER, THE TAP IS 3/8"
MINIMUM FROM EACH END



New
SIZES

To order metric threads, simply add an **M** to the Part Number.

EXAMPLE: 14HTSP106 with a 6-32 Thread,
Becomes 14MHTSP106 with a M3.5 Thread

METRIC Sizes
Also Available

Page 281



Get quote »

Angic Global Solutions

1-888-872-0690

TELEPHONE: (870)

roplastics.com • W

<https://www.AngicGlobal.com> Sales@AngicGlobal.com

INC. 129

SPACERS

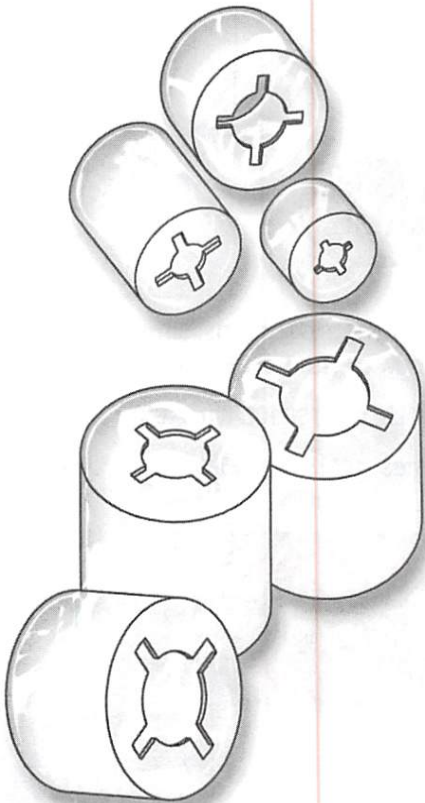
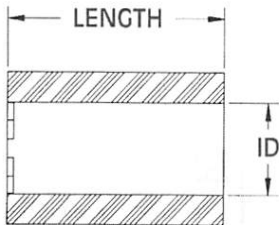
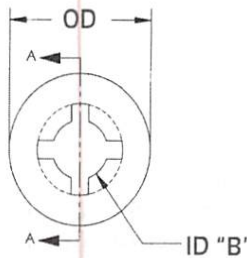
SECTION

V

RETAINING SPACERS

Molded in Natural Nylon 6/6

Similar to our standard spacers, but with a specially configured ID designed to grip the screw shank. The spacer remains attached to the screw, for quick, easy assembly.



ITEM NUMBER	OD	ID	ID "B"	LENGTH
13SPRT031	1/4 (6,35)	.115 (2,92)	.078 (1,98)	1/8 (3,18)
13SPRT032	1/4 (6,35)	.115 (2,92)	.078 (1,98)	3/16 (4,76)
13SPRT033	1/4 (6,35)	.115 (2,92)	.078 (1,98)	1/4 (6,35)
13SPRT034	1/4 (6,35)	.115 (2,92)	.078 (1,98)	5/16 (7,94)
13SPRT035	1/4 (6,35)	.115 (2,92)	.078 (1,98)	3/8 (9,53)
13SPRT036	1/4 (6,35)	.115 (2,92)	.078 (1,98)	7/16 (11,11)
13SPRT037	1/4 (6,35)	.115 (2,92)	.078 (1,98)	1/2 (12,70)
13SPRT038	1/4 (6,35)	.115 (2,92)	.078 (1,98)	9/16 (14,29)
13SPRT039	1/4 (6,35)	.115 (2,92)	.078 (1,98)	5/8 (15,88)
13SPRT040	1/4 (6,35)	.115 (2,92)	.078 (1,98)	11/16 (17,46)
13SPRT041	1/4 (6,35)	.115 (2,92)	.078 (1,98)	3/4 (19,05)
13SPRT042	1/4 (6,35)	.115 (2,92)	.078 (1,98)	13/16 (20,64)
13SPRT043	1/4 (6,35)	.115 (2,92)	.078 (1,98)	7/8 (22,23)
13SPRT044	1/4 (6,35)	.115 (2,92)	.078 (1,98)	15/16 (23,81)
13SPRT045	1/4 (6,35)	.115 (2,92)	.078 (1,98)	1 (25,40)
13SPRT046	1/4 (6,35)	.156 (3,96)	.102 (2,59)	1/8 (3,18)
13SPRT047	1/4 (6,35)	.156 (3,96)	.102 (2,59)	3/16 (4,76)
13SPRT048	1/4 (6,35)	.156 (3,96)	.102 (2,59)	1/4 (6,35)
13SPRT049	1/4 (6,35)	.156 (3,96)	.102 (2,59)	5/16 (7,94)
13SPRT050	1/4 (6,35)	.156 (3,96)	.102 (2,59)	3/8 (9,53)
13SPRT051	1/4 (6,35)	.156 (3,96)	.102 (2,59)	7/16 (11,11)
13SPRT052	1/4 (6,35)	.156 (3,96)	.102 (2,59)	1/2 (12,70)
13SPRT053	1/4 (6,35)	.156 (3,96)	.102 (2,59)	9/16 (14,29)
13SPRT054	1/4 (6,35)	.156 (3,96)	.102 (2,59)	5/8 (15,88)
13SPRT055	1/4 (6,35)	.156 (3,96)	.102 (2,59)	11/16 (17,46)
13SPRT056	1/4 (6,35)	.156 (3,96)	.102 (2,59)	3/4 (19,05)
13SPRT057	1/4 (6,35)	.156 (3,96)	.102 (2,59)	13/16 (20,64)
13SPRT058	1/4 (6,35)	.156 (3,96)	.102 (2,59)	7/8 (22,23)
13SPRT059	1/4 (6,35)	.156 (3,96)	.102 (2,59)	15/16 (23,81)
13SPRT060	1/4 (6,35)	.156 (3,96)	.102 (2,59)	1 (25,40)
13SPRT061	5/16 (7,94)	.198 (5,03)	.128 (3,25)	1/8 (3,18)
13SPRT062	5/16 (7,94)	.198 (5,03)	.128 (3,25)	3/16 (4,76)
13SPRT063	5/16 (7,94)	.198 (5,03)	.128 (3,25)	1/4 (6,35)
13SPRT064	5/16 (7,94)	.198 (5,03)	.128 (3,25)	5/16 (7,94)
13SPRT065	5/16 (7,94)	.198 (5,03)	.128 (3,25)	3/8 (9,53)
13SPRT066	5/16 (7,94)	.198 (5,03)	.128 (3,25)	7/16 (11,11)
13SPRT067	5/16 (7,94)	.198 (5,03)	.128 (3,25)	1/2 (12,70)
13SPRT068	5/16 (7,94)	.198 (5,03)	.128 (3,25)	9/16 (14,29)
13SPRT069	5/16 (7,94)	.198 (5,03)	.128 (3,25)	5/8 (15,88)
13SPRT070	5/16 (7,94)	.198 (5,03)	.128 (3,25)	11/16 (17,46)
13SPRT071	5/16 (7,94)	.198 (5,03)	.128 (3,25)	3/4 (19,05)
13SPRT072	5/16 (7,94)	.198 (5,03)	.128 (3,25)	13/16 (20,64)
13SPRT073	5/16 (7,94)	.198 (5,03)	.128 (3,25)	7/8 (22,23)
13SPRT074	5/16 (7,94)	.198 (5,03)	.128 (3,25)	15/16 (23,81)
13SPRT075	5/16 (7,94)	.198 (5,03)	.128 (3,25)	1 (25,40)
13SPRT076	3/8 (9,53)	.240 (6,10)	.152 (3,86)	1/8 (3,18)
13SPRT077	3/8 (9,53)	.240 (6,10)	.152 (3,86)	3/16 (4,76)
13SPRT078	3/8 (9,53)	.240 (6,10)	.152 (3,86)	1/4 (6,35)
13SPRT079	3/8 (9,53)	.240 (6,10)	.152 (3,86)	5/16 (7,94)
13SPRT080	3/8 (9,53)	.240 (6,10)	.152 (3,86)	3/8 (9,53)
13SPRT081	3/8 (9,53)	.240 (6,10)	.152 (3,86)	7/16 (11,11)
13SPRT082	3/8 (9,53)	.240 (6,10)	.152 (3,86)	1/2 (12,70)
13SPRT083	3/8 (9,53)	.240 (6,10)	.152 (3,86)	9/16 (14,29)
13SPRT084	3/8 (9,53)	.240 (6,10)	.152 (3,86)	5/8 (15,88)
13SPRT085	3/8 (9,53)	.240 (6,10)	.152 (3,86)	11/16 (17,46)



SPACERS

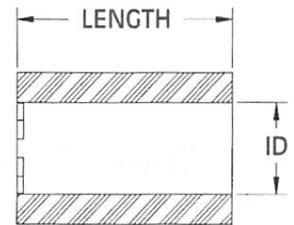
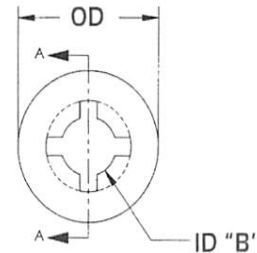
SECTION
V

ITEM NUMBER	OD	ID	ID "B"	LENGTH
13SPRT086	3/8 (9,53)	.240 (6,10)	.152 (3,86)	3/4 (19,05)
13SPRT087	3/8 (9,53)	.240 (6,10)	.152 (3,86)	13/16 (20,64)
13SPRT088	3/8 (9,53)	.240 (6,10)	.152 (3,86)	7/8 (22,23)
13SPRT089	3/8 (9,53)	.240 (6,10)	.152 (3,86)	15/16 (23,81)
13SPRT090	3/8 (9,53)	.240 (6,10)	.152 (3,86)	1 (25,40)
13SPRT091	1/2 (12,70)	.277 (7,04)	.177 (4,50)	1/8 (3,18)
13SPRT092	1/2 (12,70)	.277 (7,04)	.177 (4,50)	3/16 (4,76)
13SPRT093	1/2 (12,70)	.277 (7,04)	.177 (4,50)	1/4 (6,35)
13SPRT094	1/2 (12,70)	.277 (7,04)	.177 (4,50)	5/16 (7,94)
13SPRT095	1/2 (12,70)	.277 (7,04)	.177 (4,50)	3/8 (9,53)
13SPRT096	1/2 (12,70)	.277 (7,04)	.177 (4,50)	7/16 (11,11)
13SPRT097	1/2 (12,70)	.277 (7,04)	.177 (4,50)	1/2 (12,70)
13SPRT098	1/2 (12,70)	.277 (7,04)	.177 (4,50)	9/16 (14,29)
13SPRT099	1/2 (12,70)	.277 (7,04)	.177 (4,50)	5/8 (15,88)
13SPRT100	1/2 (12,70)	.277 (7,04)	.177 (4,50)	11/16 (17,46)
13SPRT101	1/2 (12,70)	.277 (7,04)	.177 (4,50)	3/4 (19,05)
13SPRT102	1/2 (12,70)	.277 (7,04)	.177 (4,50)	13/16 (20,64)
13SPRT103	1/2 (12,70)	.277 (7,04)	.177 (4,50)	7/8 (22,23)
13SPRT104	1/2 (12,70)	.277 (7,04)	.177 (4,50)	15/16 (23,81)
13SPRT105	1/2 (12,70)	.277 (7,04)	.177 (4,50)	1 (25,40)
13SPRT106	1/2 (12,70)	.375 (9,53)	.234 (5,94)	1/8 (3,18)
13SPRT107	1/2 (12,70)	.375 (9,53)	.234 (5,94)	3/16 (4,76)
13SPRT108	1/2 (12,70)	.375 (9,53)	.234 (5,94)	1/4 (6,35)
13SPRT109	1/2 (12,70)	.375 (9,53)	.234 (5,94)	5/16 (7,94)
13SPRT110	1/2 (12,70)	.375 (9,53)	.234 (5,94)	3/8 (9,53)
13SPRT111	1/2 (12,70)	.375 (9,53)	.234 (5,94)	7/16 (11,11)
13SPRT112	1/2 (12,70)	.375 (9,53)	.234 (5,94)	1/2 (12,70)
13SPRT113	1/2 (12,70)	.375 (9,53)	.234 (5,94)	9/16 (14,29)
13SPRT114	1/2 (12,70)	.375 (9,53)	.234 (5,94)	5/8 (15,88)
13SPRT115	1/2 (12,70)	.375 (9,53)	.234 (5,94)	11/16 (17,46)
13SPRT116	1/2 (12,70)	.375 (9,53)	.234 (5,94)	3/4 (19,05)
13SPRT117	1/2 (12,70)	.375 (9,53)	.234 (5,94)	13/16 (20,64)
13SPRT118	1/2 (12,70)	.375 (9,53)	.234 (5,94)	7/8 (22,23)
13SPRT119	1/2 (12,70)	.375 (9,53)	.234 (5,94)	15/16 (23,81)
13SPRT120	1/2 (12,70)	.375 (9,53)	.234 (5,94)	1 (25,40)
13SPRT121	1/4 (6,35)	.156 (3,96)	.102 (2,59)	19/32 (15,06)
13SPRT122	1/4 (6,35)	.115 (2,92)	.078 (1,98)	5/32 (15,06)

RETAINING SPACERS

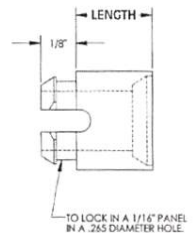
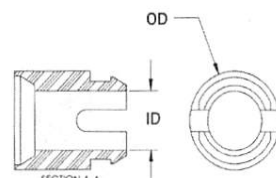
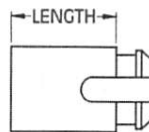
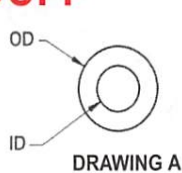
Molded in **Natural Nylon 6/6**

Similar to our standard spacers, but with a specially configured ID designed to grip the screw shank. The spacer remains attached to the screw, for quick, easy assembly.

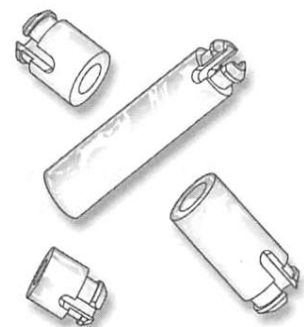


SPECIAL SNAP-IN STANDOFF

Molded in **Natural Nylon 6/6**



ITEM NUMBER	SCREW SIZE	PANEL THICKNESS	HOLE SIZE	LENGTH	OD	ID	DRAWING
13SS003094	3	1/16" (1,58)	.187 (4,75)	.945 (24,0)	1/4" (6,35)	.106 (2,69)	A
13SS004018	4	1/16" (1,58)	.187 (4,75)	.187 (4,75)	.250 (6,35)	.125 (3,18)	A
13SS006037	6	1/16" (1,58)	.234 (5,95)	3/8" (9,53)	9/32" (7,14)	.153 (3,89)	A
13SS008037	8	1/16" (1,58)	.234 (5,95)	3/8" (9,53)	9/32" (7,14)	.169 (4,29)	A
13SS008050	8	1/16" (1,58)	.234 (5,95)	1/2" (12,70)	9/32" (7,14)	.169 (4,29)	A
13SS010265	10	1/16" (1,58)	.265 (6,73)	.265 (6,73)	.316 (8,03)	.190 (4,83)	B
13SS010375	10	1/16" (1,58)	.265 (6,73)	.375 (9,53)	.316 (8,03)	.190 (4,83)	B



Get quote >>

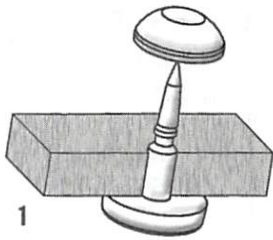
Angic Global Solutions

1-888-872-0690

PANEL FASTENERS AND HOLE PLUGS

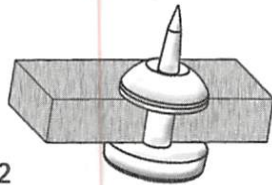
SECTION VI

SNAP TACKS

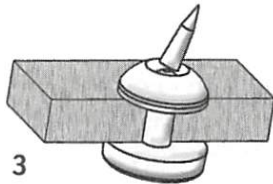


Micro Plastics' 2 piece snap tack consists of a male acetal tack and a female nylon button retainer. The tack has a sharp point for piercing soft materials that will not require a pre-punched hole.

Easily assembled by pushing the tack through the front of the soft material and pushing the retainer to the second detent - no tools required.



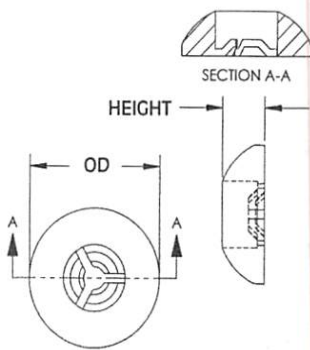
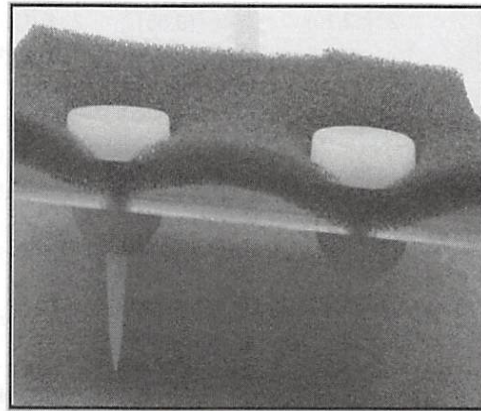
After assembly simply break off the pointed end and the remaining end is shielded by the retainer.



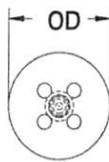
CAUTION the point is very sharp and can pierce your skin.

Watch Instructional Video

[mms://www.microplastics.com/productvideos/SnapTacks.asf](https://www.microplastics.com/productvideos/SnapTacks.asf)

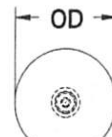


FEMALE BUTTON



HEIGHT

BUTTON MALE TACK



HEIGHT

MALE TACK

ITEM NUMBER	DESCRIPTION	ITEM NUMBER	DESCRIPTION	OD	HEIGHT
27STF375	3/8" Female Button	27STMB430188	3/16" Button Male Tack	7/16"	3/32"
OD	3/8"	27STM430062	1/16" Male Tack	7/16"	3/32"
HEIGHT	1/8"	27STM430125	1/8" Male Tack	7/16"	3/32"
		27STM430188	3/16" Male Tack	7/16"	3/32"

PANEL FASTENERS AND HOLE PLUGS

SECTION
VI

DOME AND TACK

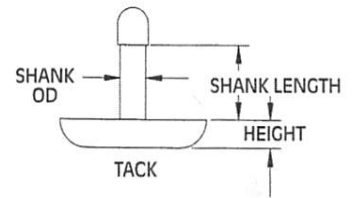
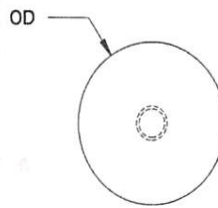
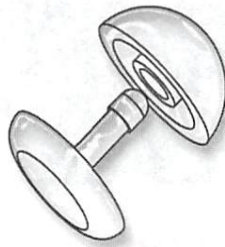
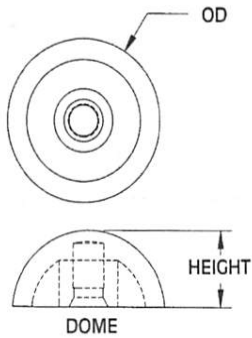
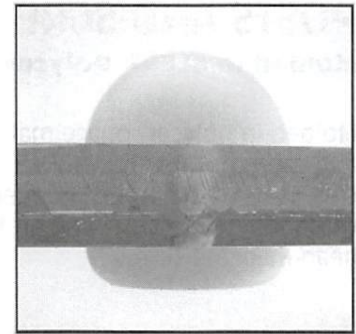
Watch Instructional Video

[mms://www.microplastics.com/productvideos/DomeAndTack.asf](https://www.microplastics.com/productvideos/DomeAndTack.asf)

Molded in **Natural Nylon 6/6**

Micro Plastics' two piece dome and tack molded nylon fastener has the locking mechanism totally enclosed to prevent tampering. No exterior sharp edges after part is assembled.

"The dome and tack was originally made for and can be used to make the sea-band type of anti nausea bracelets or bands that are worn around the wrist to prevent motion sickness or nausea. The dome is designed to contact the acupuncture point on the wrist. The tack pierces the fabric and holds the dome on the inside of the bracelet or band. Can also be used for a variety of thin-panel fastening applications."



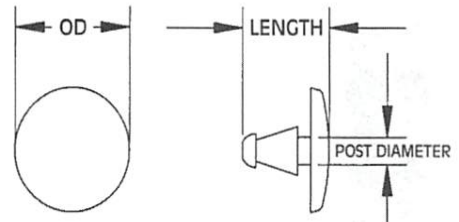
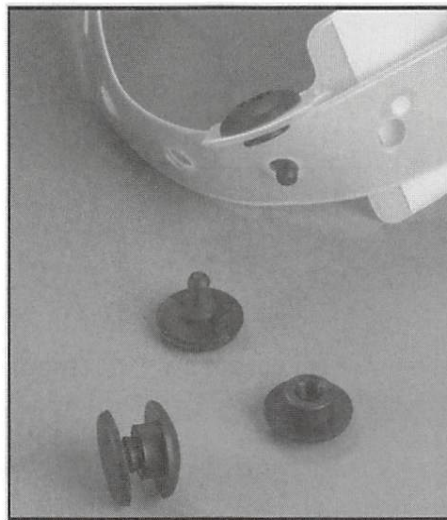
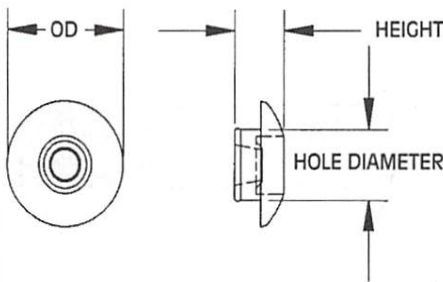
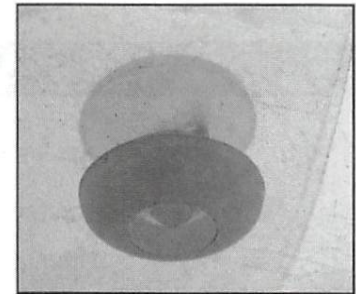
ITEM NUMBER	HEIGHT	OD
27DM070	13/64	7/16

ITEM NUMBER	PANEL THICKNESS	SHANK LENGTH	OD	HEIGHT	SHANK OD
27TM070188	3/16	.200 REF.	7/16	.075	.075 REF.

FEMALE & MALE RIVET

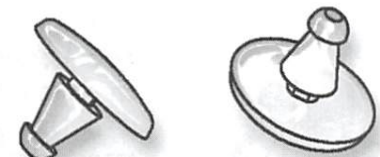
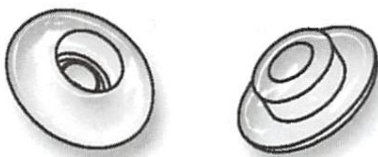
Molded in **Natural Nylon 6/6**

Two piece Nylon 6/6 rivet for flexible plastic I.D. or security bracelet. Male and female rivets snap into pre-punched holes in plastic bracelet and then snap together. Very difficult to remove without damaging. Parts are molded in natural Nylon 6/6, black is also available upon request.



FEMALE RIVET

MALE RIVET



ITEM NUMBER	OD	HOLE DIAMETER	HEIGHT
27MRF22	.380 (9,65)	.213 (5,41)	.160 (4,06)

ITEM NUMBER	OD	POST DIAMETER	LENGTH
27MRM218125	.375 (9,53)	.081 (2,06)	.283 (7,19)

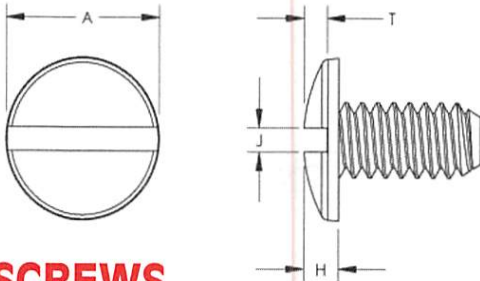
PANEL FASTENERS AND HOLE PLUGS

SECTION VI

POSTS AND SCREWS

Molded in **CLEAR** Polycarbonate

Molded in polycarbonate material. Stronger and more durable for industrial applications. Low cost, transparent fastener: female-threaded headed bushing and slotted-head machine screw.



SCREW AND POST ARE SOLD SEPARATELY

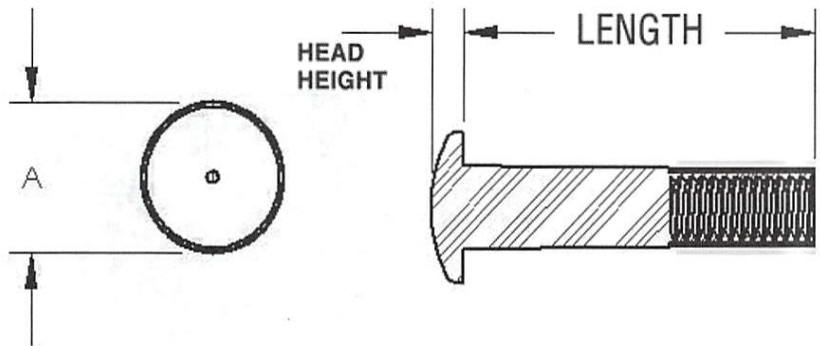
SCREWS

ITEM NUMBER	SCREW SIZE	THREAD	A	H	J	T	LENGTH
010832POST025PC	8	832	.355	.093	.060	.062	1/4
010832POST037PC	8	832	.406	.093	.060	.062	3/8

Posts and Screws can also be purchased molded in Black or White Nylon.

Simple, effective, fast binding solution for a variety of applications, including;

- architectural drawings
- paper, scrap booking
- swatch book fabric
- acrylic displays
- leather

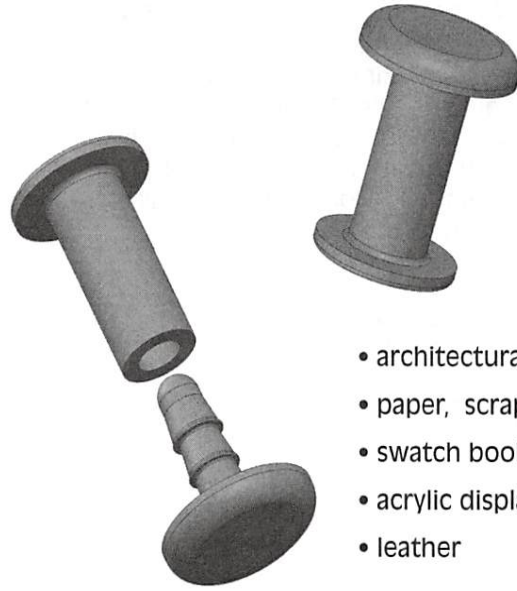
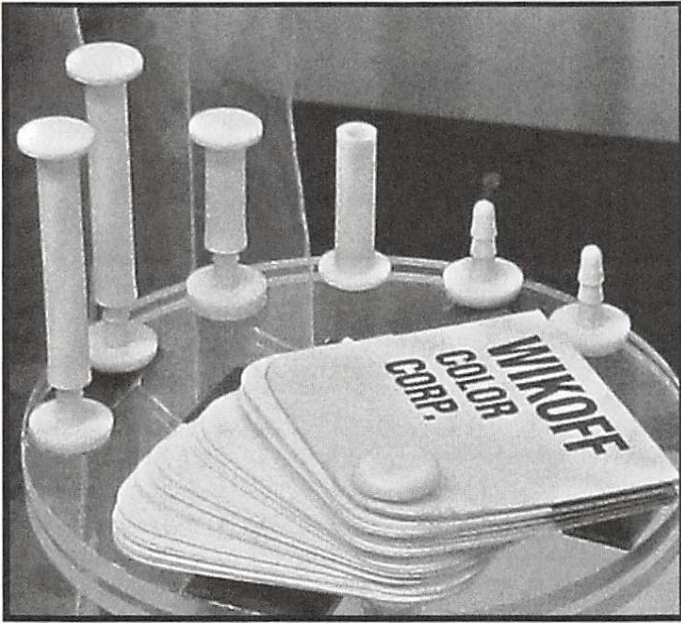


THREADED POSTS

ITEM NUMBER	THREAD	POST OUTSIDE DIA.	LENGTH	A	HEAD HEIGHT	SCREW LENGTH
27POST8320250	832	7/32	1/4	23/64	.093	1/4
27POST8320375	832	7/32	3/8	13/32	.093	3/8
27POST8320500	832	7/32	1/2	13/32	.093	3/8
27POST8320625	832	7/32	5/8	13/32	.093	3/8
27POST8320750	832	7/32	3/4	13/32	.093	3/8
27POST8320875	832	7/32	7/8	13/32	.093	3/8
27POST8321000	832	7/32	1	13/32	.093	3/8

PANEL FASTENERS AND HOLE PLUGS

SECTION
VI



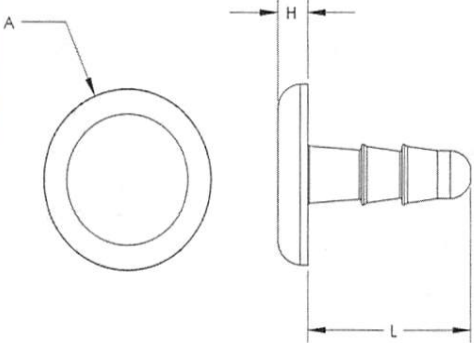
- architectural drawings
- paper, scrap booking
- swatch book fabric
- acrylic displays
- leather

POST AND PIN

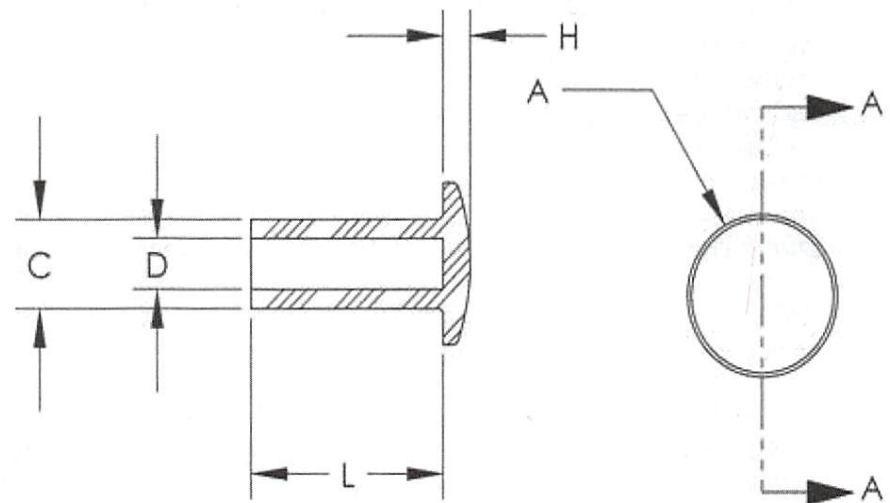
PIN Molded in WHITE Polycarbonate -POSTS Molded in WHITE Polyethylene

The pin is molded in white Polycarbonate material and the different length posts are molded in white polyethylene. The combination fasteners are intended for a one time assembly. The posts and pins are sold separately. These posts and pin fasteners provide a cost effective way for binding applications such as displays, swatch book fabrics, leather and scrap booking. One size pin fits all lengths of posts. Posts are available in 1/2, 5/8, 3/4, 1 and 1 1/4 lengths. Additional lengths available between 1/2 and 1 1/4 long in reasonable quantities.

PIN



NON THREADED POSTS



POSTS

ITEM NUMBER	A HEAD DIAMETER	C BODY DIAMETER	D ID	H HEAD HEIGHT	L BODY LENGTH
27POSTNT0500	.390 (9,91)	.214 (5,44)	.122 (3,10)	.070 (1,78)	.500 (12,70)
27POSTNT0625	.390 (9,91)	.214 (5,44)	.122 (3,10)	.070 (1,78)	.625 (15,88)
27POSTNT0750	.390 (9,91)	.214 (5,44)	.122 (3,10)	.070 (1,78)	.750 (19,05)
27POSTNT1000	.390 (9,91)	.214 (5,44)	.122 (3,10)	.070 (1,78)	1.000 (25,40)
27POSTNT1250	.390 (9,91)	.214 (5,44)	.122 (3,10)	.070 (1,78)	1.250 (31,75)

PIN

ITEM NUMBER	A HEAD DIAMETER	H HEAD HEIGHT	L LENGTH
27PP001	.437 (11,10)	.078 (1,98)	.425 (10,80)

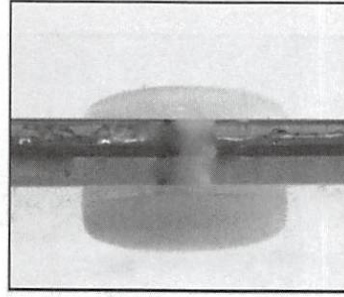
PANEL FASTENERS AND HOLE PLUGS

SECTION VI

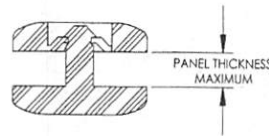
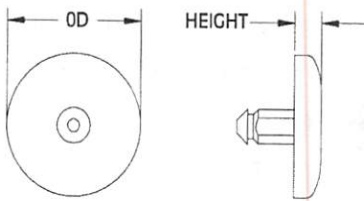
MINI RIVETS

Molded in Natural Nylon 6/6

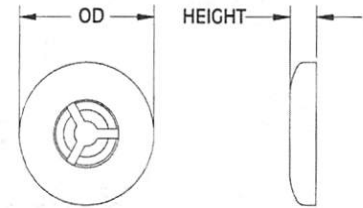
Micro Plastics' Mini Rivets consist of a male and female component. Mini Rivets are used to fasten a variety of materials. Simply press together for fast, easy assembly. Male and female rivets are packaged and sold separately. Mini Rivets are molded in natural Nylon 6/6 but are available in black upon request.



MALE MINI RIVET



FEMALE MINI RIVET



PART NUMBER	DESCRIPTION	HOLE SIZE	PANEL THICKNESS	OD	HEIGHT	SHANK OD
27MRM060010	MALE MINI RIVET	1/16 (1,57)	.010 (0,25)	1/4" (6,35)	.050 (1,27)	.060 (1,52)
27MRM060020	MALE MINI RIVET		.020 (0,51)	1/4" (6,35)	.050 (1,27)	.060 (1,52)
27MRM060030	MALE MINI RIVET		.030 (0,76)	1/4" (6,35)	.050 (1,27)	.060 (1,52)
27MRM060045	MALE MINI RIVET		.045 (1,14)	1/4" (6,35)	.050 (1,27)	.060 (1,52)
27MRM060062	MALE MINI RIVET		.062 (1,57)	1/4" (6,35)	.050 (1,27)	.060 (1,52)
27MRM060075	MALE MINI RIVET		.075 (1,91)	1/4" (6,35)	.050 (1,27)	.060 (1,52)
*27MRF06	FEMALE MINI RIVET			1/4" (6,35)	.050 (1,27)	

* FOR USE WITH ALL .060 MALE RIVETS

PART NUMBER	DESCRIPTION	HOLE SIZE	PANEL THICKNESS	OD	HEIGHT	SHANK OD
27MRM090020	MALE MINI RIVET	3/32 (2,36)	.020 (0,51)	3/8" (9,53)	.075 (1,91)	.094 (2,39)
27MRM090032	MALE MINI RIVET		.032 (0,81)	3/8" (9,53)	.075 (1,91)	.094 (2,39)
27MRM090045	MALE MINI RIVET		.045 (1,14)	3/8" (9,53)	.075 (1,91)	.094 (2,39)
27MRM090062	MALE MINI RIVET		.062 (1,57)	3/8" (9,53)	.075 (1,91)	.094 (2,39)
27MRM090075	MALE MINI RIVET		.075 (1,91)	3/8" (9,53)	.075 (1,91)	.094 (2,39)
27MRM090090	MALE MINI RIVET		.090 (2,29)	3/8" (9,53)	.075 (1,91)	.094 (2,39)
27MRM090112	MALE MINI RIVET		.125 (3,18)	3/8" (9,53)	.075 (1,91)	.094 (2,39)
27MRM090312	MALE MINI RIVET		.312 (7,92)	3/8" (9,53)	.075 (1,91)	.094 (2,39)
*27MRF09	FEMALE MINI RIVET			3/8" (9,53)	.075 (1,91)	

* FOR USE WITH ALL .094 MALE RIVETS

PART NUMBER	DESCRIPTION	HOLE SIZE	PANEL THICKNESS	OD	HEIGHT	SHANK OD
27MRM125032	MALE MINI RIVET	1/8 (3,18)	.032 (0,81)	1/2" (12,70)	.100 (2,54)	.125 (3,18)
27MRM125045	MALE MINI RIVET		.045 (1,14)	1/2" (12,70)	.100 (2,54)	.125 (3,18)
27MRM125062	MALE MINI RIVET		.062 (1,57)	1/2" (12,70)	.100 (2,54)	.125 (3,18)
27MRM125093	MALE MINI RIVET		.093 (2,36)	1/2" (12,70)	.100 (2,54)	.125 (3,18)
27MRM125125	MALE MINI RIVET		.125 (3,18)	1/2" (12,70)	.100 (2,54)	.125 (3,18)
27MRM125143	MALE MINI RIVET		.143 (1,09)	1/2" (12,70)	.100 (2,54)	.125 (3,18)
27MRM125187	MALE MINI RIVET		.187 (4,75)	1/2" (12,70)	.100 (2,54)	.125 (3,18)
27MRM125325	MALE MINI RIVET		.325 (8,26)	1/2" (12,70)	.100 (2,54)	.125 (3,18)
*27MRF12	FEMALE MINI RIVET			1/2" (12,70)	.100 (2,54)	

* FOR USE WITH ALL .125 MALE RIVETS

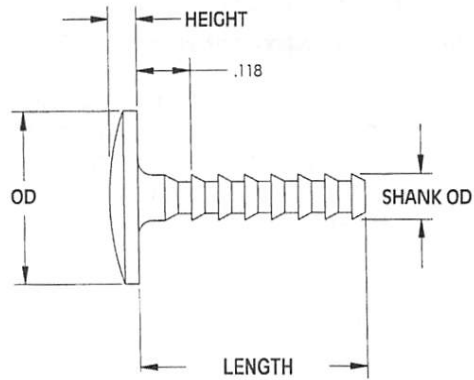
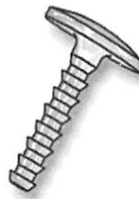
PANEL FASTENERS AND HOLE PLUGS

SECTION
VI

ADJUSTABLE MALE MINI RIVETS

Molded in **Natural Nylon 6/6**

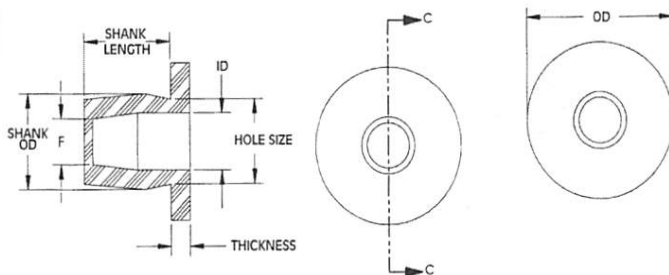
Adjustable male mini rivets are designed to be used with Micro Plastics' female mini rivets. Rivets are molded in tough, resilient, corrosion and chemical resistant Nylon 6/6 material. Variable length rivets can be used to fasten and control computer sheets, catalogs, samples and many other objects. Simply push the adjustable rivet through pre-punched holes, secure with a female mini rivet and clip to desired length.



PART NUMBER	OD	SHANK OD	HEIGHT	LENGTH	PANEL THICKNESS	
27AMR1252187	1/2 (12,70)	.123 (3,12)	1/16 (1,57)	2 5/16" (58,72)	1/8 - 2 3/16 (3,18-55,55)	FOR USE WITH 27MRF12 FEMALE MINI RIVET
27AMR0940375	.354 (8,99)	.094 (2,39)	.062 (1,57)	3/8" (9,52)	.070-.290 (1,77-7,36)	FOR USE WITH 27MRF09 FEMALE MINI RIVET
27AMR0940500	.354 (8,99)	.094 (2,39)	1/16 (1,57)	1/2" (12,70)	1/16 - 3/8 (1,57-9,53)	FOR USE WITH 27MRF09 FEMALE MINI RIVET

TUBULAR EMBLEM CLIPS

Molded in **Natural Polyethylene**



Micro Plastic's Tubular Emblem Clips or Speed Nut Clips offer a low substitute to the expensive all metal or metal/rubber clips. These easily installed molded low density polyethylene clips eliminate paint and surface damage. The inevitable rust associated with the sharp metal parts they replace is also eliminated by the electrically insulating, non-cathodic plastic clip.

ITEM NUMBER	DESCRIPTION	OD	THICKNESS	SHANK OD	ID	HOLE SIZE REF.	SHANK LENGTH
60TC125250	1/8 X .250 TUBE CLIP	11/32 (8,73)	.046 (1,17)	.209 (5,31)	.125 (3,17)	.187 (4,76)	.200 (5,08)
60TC155200 *	5/32 X .200 TUBE CLIP	11/32 (8,73)	.046 (1,17)	.239 (6,07)	.155 (3,94)	.220 (5,59)	.150 (3,81)
60TC155360	5/32 X .360 TUBE CLIP	11/32 (8,73)	.046 (1,17)	.239 (6,07)	.155 (3,94)	.220 (5,59)	.310 (7,88)
60TC155600	5/32 X .600 TUBE CLIP	11/32 (8,73)	.046 (1,17)	.239 (6,07)	.155 (3,94)	.220 (5,59)	.550 (13,97)

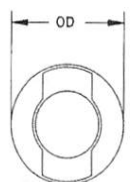
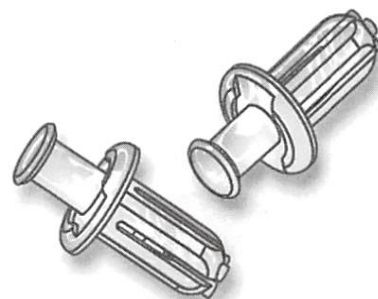
* I.D. HAS A THRU HOLE

TWO-PIECE REMOVABLE RIVETS

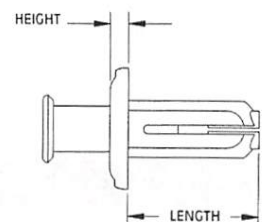
Molded in **Natural Nylon 6/6**

Removable rivets are two-piece nylon rivets which can be removed by retracting the pin, and then the body. The body incorporates a slot in line with the pin so that the pin can be removed by inserting a small screw driver, other sharp edge, or even a fingernail underneath the head of the pin.

* In addition to working in a .250 round hole, part number 61RR250500, will also fit the .210"/.218" square hole found in the "darling" type shelf commonly used in retail stores.



PART NUMBER	OD	HEIGHT	LENGTH	HOLE SIZE	PANEL THICKNESS
61RR188062	3/8 (9,53)	.07 (1,78)	1/2 (12,70)	.188 (4,78)	1/16 (1,59)
61RR188125	3/8 (9,53)	.07 (1,78)	1/2 (12,70)	.188 (4,78)	1/8 (3,18)
* 61RR250500	7/16 (11,11)	.07 (1,78)	1/2 (12,70)	.250 (6,35)	1/16 (1,59)
61RR250125	7/16 (11,11)	.07 (1,78)	1/2 (12,70)	.250 (6,35)	1/8 (3,18)
61RR250188	7/16 (11,11)	.07 (1,78)	1/2 (12,70)	.250 (6,35)	3/16 (4,76)



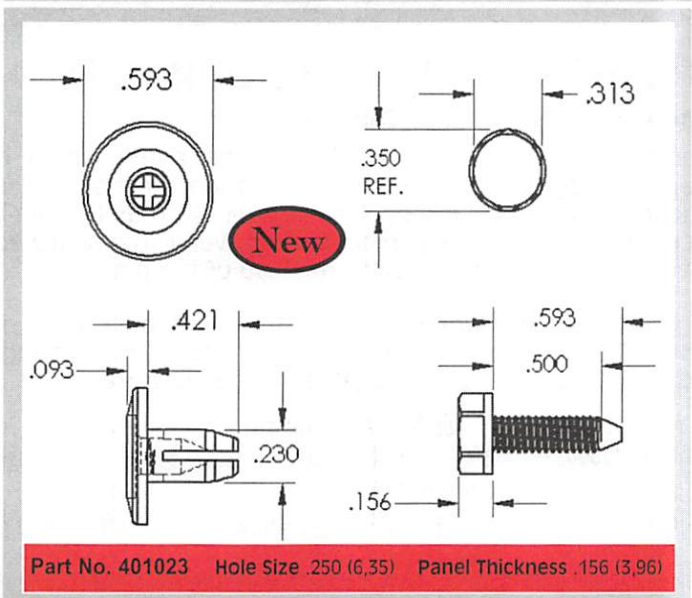
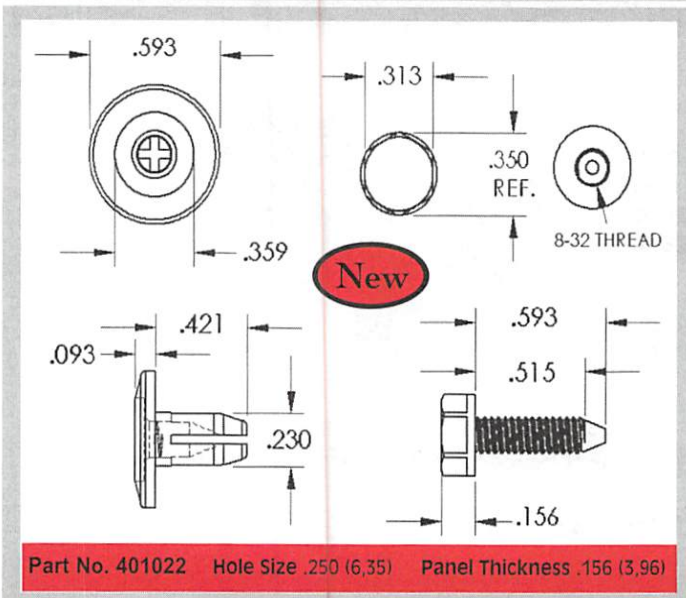
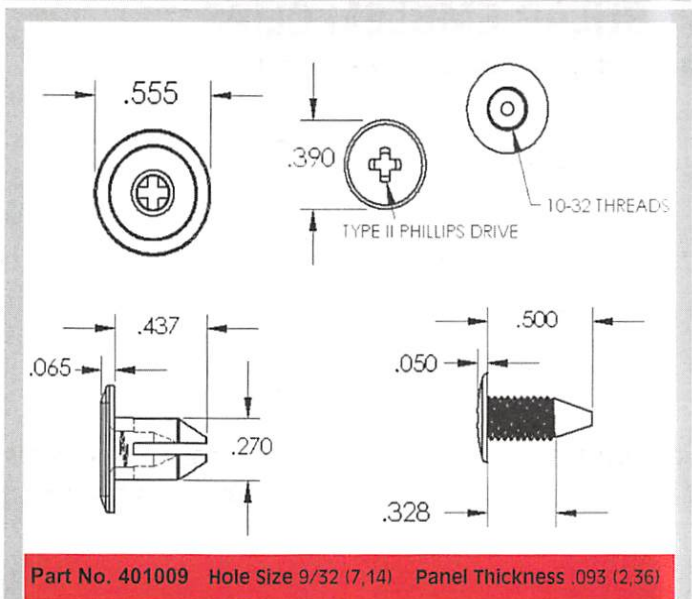
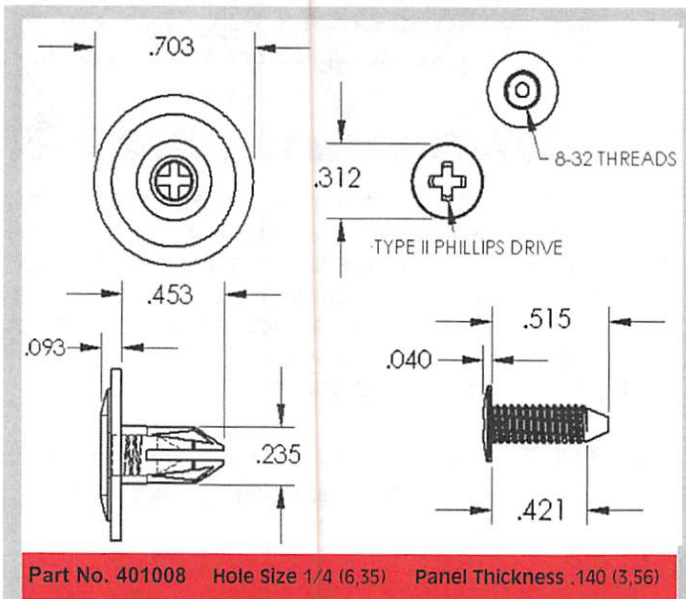
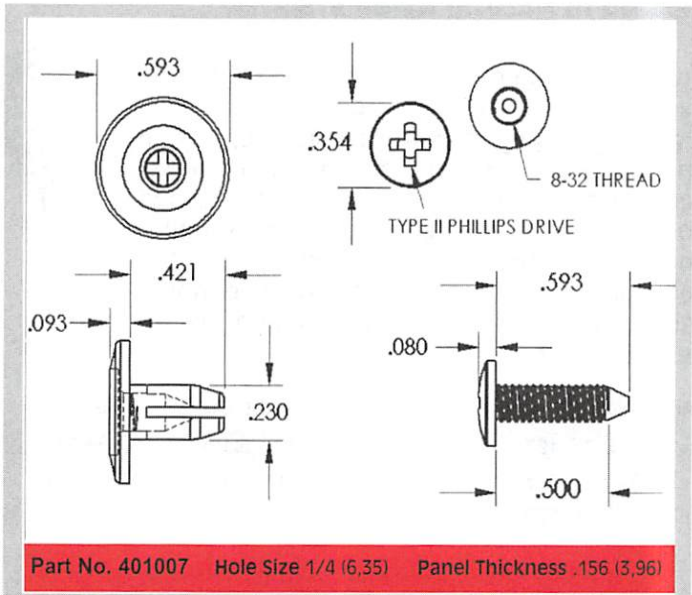
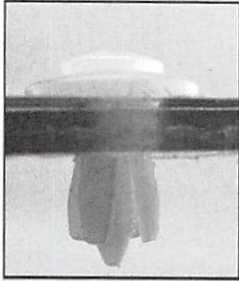
PANEL FASTENERS AND HOLE PLUGS

SECTION VI

"SPECIAL ITEM" 2 PC SCREW RIVETS

Molded in **Natural Nylon 6/6**

Micro Plastics' two-piece screw rivets are designed to fasten larger components or small assemblies to their mating panels. Pressing or tapping the screw through the body creates a secure insulated connection. In addition the screw may be removed with a phillips screw driver and the fastener re-used.



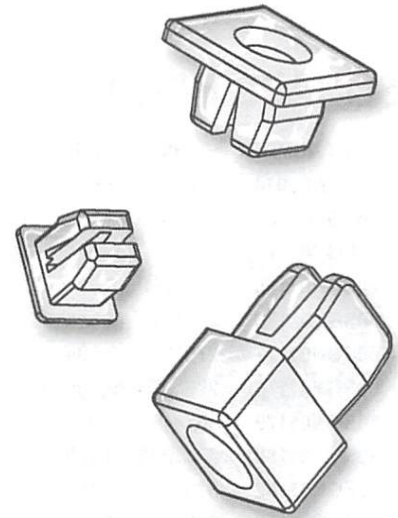
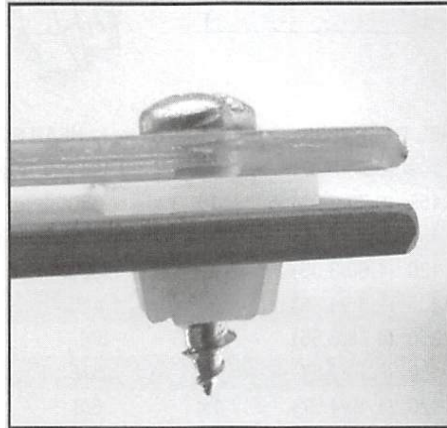
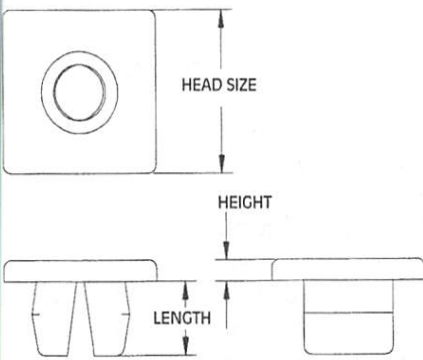
PANEL FASTENERS AND HOLE PLUGS

SECTION
VI

GROMMET NUTS

Molded in Natural Nylon 6/6

Micro Plastics' Open Poly Grommet Nuts provide a low cost, positive connection of thin gauge materials while they eliminate cross threading. The specially designed locks snap into a pre-punched square hole. As the self-threading sheet metal screw is tightened, the Poly Grommet expands and securely locks the screw and assembled parts in place. The Grommet will provide a corrosion and vibration resistant connection and can be used to insulate areas of an assembly from electrical and thermal transfer. Some of the more common sizes that we have initially tooled are shown below. Because of unique tooling approach, we can vary this design over a wide range. Request the size you need. Poly Grommets are molded in Nylon 6/6 and can be dyed or molded in various colors. Different plastic materials can be substituted. Naturally, changes in our standard product will involve additional costs. Let us know what you need.



SQUARE HEAD

PART NUMBER	HOLE SIZE RCT	PANEL THICKNESS	SCREW SIZE	HEAD SIZE	HEIGHT	LENGTH
60SGN00001	.275/.290 (6,99/7,37)	.031/.125 (0,79/3,18)	8-10	3/8 (9,53)	.031 (0,79)	.320 (8,13)
60SGN00002	.275/.290 (6,99/7,37)	.031/.125 (0,79/3,18)	8-10	3/8 (9,53)	.062 (1,57)	.320 (8,13)
60SGN00003	.275/.290 (6,99/7,37)	.031/.125 (0,79/3,18)	8-10	.375 (9,53)	.125 (3,18)	.320 (8,13)
60SGN00004	.275/.290 (6,99/7,37)	.031/.125 (0,79/3,18)	8-10	3/8 (9,53)	.250 (6,35)	.320 (8,13)
60SGN00006	.250/.260 (6,35/6,61)	.031/.115 (0,79/2,92)	6	.435 (11,05)	.094 (2,39)	.220 (5,59)
60SGN00007	.270/.270 (6,86/6,86)	.062/.275 (1,57/6,99)	6	.375/500 (9,53/12,70)	.031 (0,79)	.435 (11,05)
60SGN00015	.370/.380 (9,40/9,65)	.031/.156 (0,79/3,96)	10	5/8 (15,87)	.078 (1,98)	.325 (8,25)
60SGN00912	.225/.255 (5,71/6,48)	.031/.125 (0,79/3,18)	8	.375 (9,53)	.187 (4,75)	.300 (7,62)
60SGN00913	.250/.250 (6,35/6,35)	.031/.060 (0,79/1,52)	8-10	13/32 (10,31)	.030 (0,76)	9/32 (7,14)
60SGN00915	.245/.255 (6,22/6,48)	.031/.125 (0,79/3,18)	6-8	3/8 (9,53)	1/32 (0,79)	9/32 (7,14)
60SGN01000	.250/.255 (6,35/6,48)	.110/.125 (2,79/3,18)	6	.375 (9,53)	.031 (0,79)	.265 (6,73)
60SGN01012	.173/.178 (4,39/4,52)	.031/.078 (0,79/1,98)	4	.218 (5,54)	.250 (6,35)	.218 (5,54)
60SGN01014	.250/.270 (6,35/6,86)	.062/.155 (1,57/3,94)	6	.375 (9,53)	.032 (0,81)	.312 (7,92)
60SGN01016	.285/.295 (7,24/7,49)	.078/.175 (1,98/4,45)	8	.380 (9,65)	.045 (1,14)	.340 (8,64)
60SGN01020	.275/.280 (6,99/7,11)	.040/.045 (1,02/1,14)	8-10	.370 (9,40)	.032 (0,81)	.330 (8,38)
60SGN01122	.350/.355 (8,89/9,02)	.218/.230 (5,54/5,84)	8-10	.475 (12,07)	.064 (1,63)	.421 (10,69)
60SGN01125	.370/.390 (9,40/9,91)	.064/.187 (1,57/4,75)	10	39/64 (15,47)	.085 (2,16)	.290 (7,37)
60SGN01126	.305/.315 (7,75/8,00)	.031/.175 (0,79/4,44)	8	.470 (11,94)	.060 (1,52)	.300 (7,62)
60SGN01130	.370/.375 (9,40/9,52)	.031/.100 (0,79/2,54)	12	.620 (15,75)	.080 (2,03)	.275 (6,98)
60SGN01135	.173/.178 (4,39/4,52)	.031/.078 (0,79/1,98)	4	.218 (5,54)	.050 (1,27)	.218 (5,54)
60SGN01145	.270/.310 (6,85/7,87)	.031/.170 (0,79/4,32)	8	.405 (10,29)	.062 (1,57)	.312 (7,92)
60SGN01150	.310/.310 (7,87/7,87)	.031/.170 (0,79/4,32)	10	.465 (11,81)	.062 (1,57)	.295 (7,49)
60SGN01154	.320/.320 (8,12/8,12)	.031/.155 (0,79/3,93)	10	.650 (16,51)	.072 (1,82)	.305 (7,74)
60SGN01155	.245/.250 (6,22/6,35)	.047/.095 (1,19/2,41)	2	.375 (9,52)	.032 (0,81)	.240 (6,07)
60SGN01160	.335/.340 (8,52/8,64)	.062/.125 (1,58/3,17)	8	.512 (12,96)	.075 (1,90)	.315 (8,00)
60SGN01165	.270/.270 (6,86/6,86)	.062/.125 (1,58/3,17)	6	.390 (9,90)	.050 (1,27)	.275 (6,99)
60SGN01170	.275/.285 (6,90/7,24)	.031/.125 (0,79/3,17)	4	.375 (9,53)	.050 (1,27)	.218 (5,54)

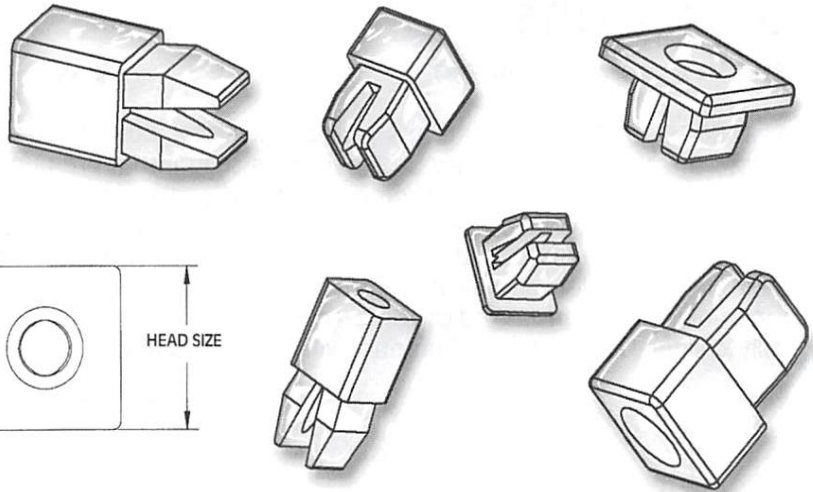
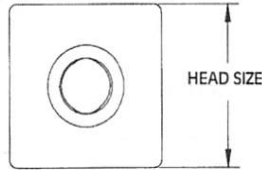
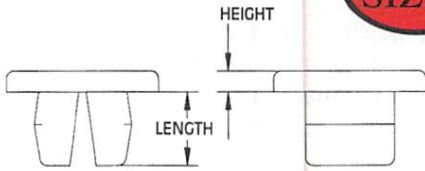
PANEL FASTENERS AND HOLE PLUGS

SECTION
VI

GROMMET NUTS

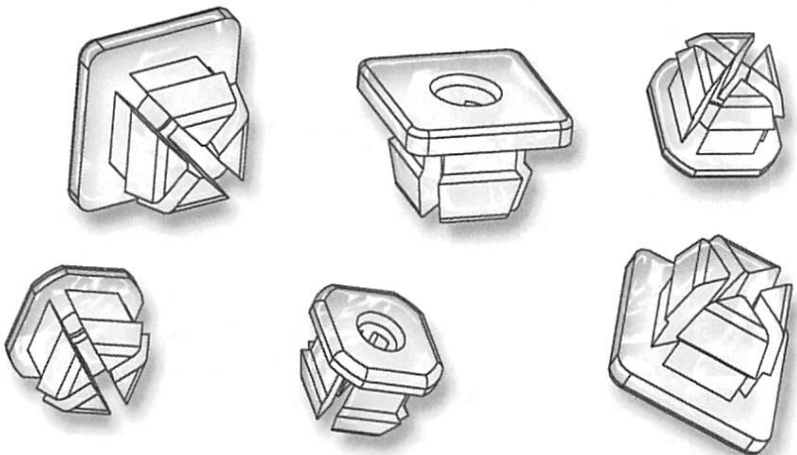
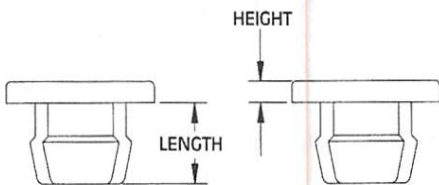
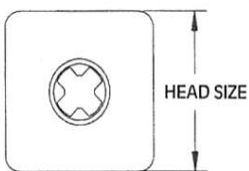
Molded in **Natural Nylon 6/6**

**New
SIZES**



SQUARE HEAD

PART NUMBER	HOLE SIZE RCT	PANEL THICKNESS	SCREW SIZE	HEAD SIZE	HEIGHT	LENGTH
60SGN00914	.270/.275 (6,86/6,99)	.031/.109 (0,79/2,77)	6	3/8 (9,53)	.305 (7,75)	9/32 (7,14)
60SGN01154	.320/.320 (8,12/8,12)	.031/.155 (0,79/3,93)	10	.650 (16,51)	.072 (1,82)	.305 (7,74)
60SGN01171	.200/.270 (5,08/6,86)	.032/.156 (0,81/3,96)	6	.312/.437 (7,93/11,1)	.035 (0,89)	.312 (7,93)
60SGN01175	.275/.280 (6,99/7,11)	.062/.120 (1,60/3,05)	6	.390 (9,90)	.055 (1,40)	.281 (7,14)
60SGN01176	.260/.270 (6,61/6,86)	.093/.187 (2,36/4,75)	6	.410 (10,41)	.040 (1,02)	.310 (7,87)
60SGN01177	.275/.275 (6,99/6,99)	.187/.250 (4,76/6,35)	4	3/8 (9,53)	.035 (0,89)	.390 (9,92)
60SGN01178	.275/.275 (6,99/6,99)	.047/.180 (1,19/4,57)	8	.375 (9,53)	.032 (0,81)	.327 (8,31)
60SGN01179	.370/.445 (9,40/11,30)	.062/.120 (1,19/4,57)	1/4	5/8 (15,88)	.080 (2,04)	9/32 (7,14)
60SGN01180	.370/.375 (9,40/9,50)	.062/.120 (1,60/3,05)	1/4	.625 (15,90)	.080 (2,04)	.281 (7,14)
60SGN01182	.370/.375 (9,40/9,50)	.125/.250 (3,17/6,35)	1/4	5/8 (15,87)	.080 (2,04)	.406 (10,31)
60SGN01185	.320/.335 (8,08/8,51)	.032/.234 (0,81/5,94)	10	.470 (11,94)	.055 (1,40)	.420 (10,67)
60SGN01190	.335/.345 (8,51/8,76)	.062/.171 (1,58/4,35)	10	.468 (11,88)	.095 (2,42)	.400 (10,16)
60SGN01195	.330/.365 (8,38/9,28)	.032/.095 (0,81/2,41)	10	.493 (12,52)	.094 (2,39)	.295 (7,50)
60SGN01200	.250/.260 (6,35/6,61)	.062/.125 (1,58/3,18)	6	.375 (9,53)	.140 (3,56)	.265 (6,73)
60SGN03400	.312/.325 (7,92/8,25)	.171 (4,34)	10	.472 (11,98)	.059 (1,49)	.295 (7,49)



DOUBLE SPLIT SQUARE

PART NUMBER	HOLE SIZE RCT	PANEL THICKNESS	SCREW SIZE	HEAD SIZE	HEIGHT	LENGTH
60SGN01010	.377/.382 (9,58/9,70)	.125/.130 (3,18/3,30)	10	39/64 (15,48)	.082 (2,08)	.308 (7,82)
60SGN01015	.228/.233 (5,79/5,92)	.250/.271 (6,35/6,88)	8	.375 (9,53)	.031 (0,79)	.406 (10,31)
60SGN01018	.310/.315 (7,87/8,00)	.110/.115 (2,79/2,92)	8	.437 (11,10)	.078 (1,98)	.281 (7,14)
60SGN01019	.305/.310 (7,75/7,87)	.125/.135 (3,18/3,43)	8	.437 (11,10)	.062 (1,57)	.281 (7,14)
60SGN01021	.375/.390 (9,53/9,91)	.230 (5,48)	1/4	5/8 (15,88)	.080 (2,03)	.438 (11,13)
60SGN01025	.250/.250 (6,35/6,35)	.093/.275 (0,91/6,99)	8	.375 (9,53)	.047 (1,19)	.420 (10,67)
60SGN01128	.330/.330 (8,38/8,38)	.031/.125 (0,79/3,18)	8	.505 (12,83)	.032 (0,81)	.275 (6,98)
60SGN01030	.303 (7,70)	.031/.145 (0,79/3,68)	8-10	.435 (11,05)	.062 (1,57)	.270 (6,86)
60SGN01181	.410/.410 (10,42/10,42)	.031/.062 (0,79/1,58)	1/4	.630 (16,00)	.140 (3,56)	.280 (7,12)



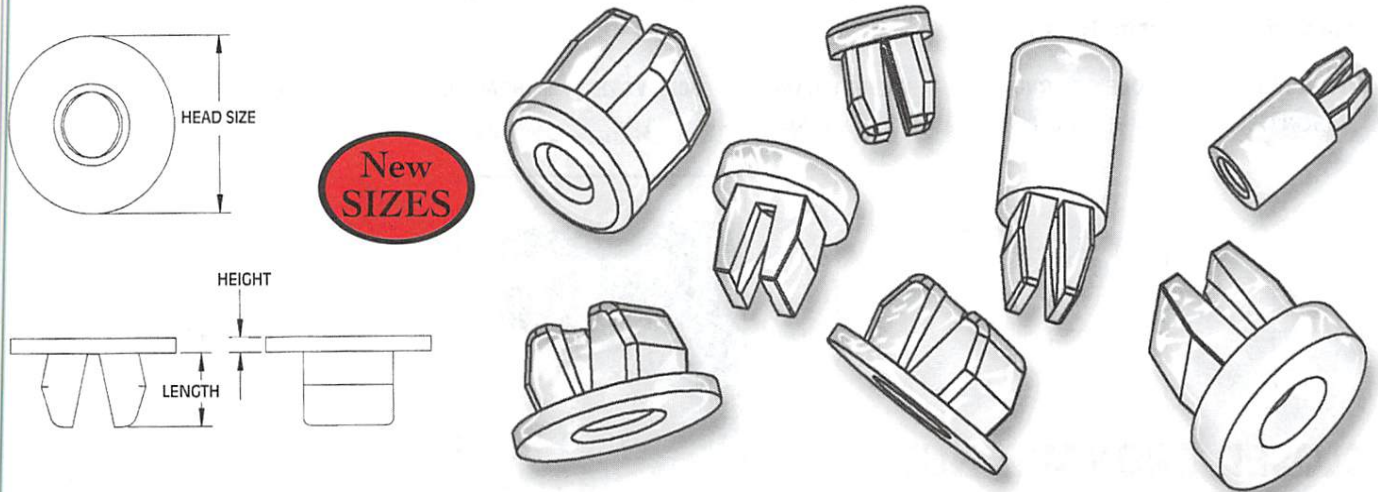
PANEL FASTENERS AND HOLE PLUGS

SECTION
VI

GROMMET NUTS

Molded in **Natural Nylon 6/6**

Micro Plastics' Open Poly Grommet Nuts provide a low cost, positive connection of thin gauge materials while they eliminate cross threading. The specially designed locks snap into a pre-punched square hole. As the self-threading sheet metal screw is tightened, the Poly Grommet expands and securely locks the screw and assembled parts in place. The Grommet will provide a corrosion and vibration resistant connection and can be used to insulate areas of an assembly from electrical and thermal transfer. Some of the more common sizes that we have initially tooled are shown below. Because of unique tooling approach, we can vary this design over a wide range. Request the size you need. Poly Grommets are molded in Nylon 6/6 and can be dyed or molded in various colors. Different plastic materials can be substituted. Naturally, changes in our standard product will involve additional costs. Let us know what you need.



ROUND HEAD

PART NUMBER	HOLE SIZE RCT	PANEL THICKNESS	SCREW SIZE	HEAD SIZE	HEIGHT	LENGTH
60SGN00005	.375/.375 (9,53/9,53)	.031/.125 (0,79/3,18)	1/4	5/8 (15,88)	1-1/16 (27,0)	9/32 (7,14)
60SGN00009	.270/.280 (6,86/7,11)	.062/.165 (1,57/4,19)	6	.375 (9,53)	.093 (2,36)	.300 (7,62)
60SGN00008	.267/.272 (6,78/6,91)	.031/.109 (0,79/2,77)	8-10	9/16 (14,29)	9/16 (14,29)	9/32 (7,14)
60SGN00010	.275/.290 (6,99/7,37)	.031/.125 (0,79/3,18)	8-10	.500 (12,70)	.031 (0,79)	.320 (8,13)
60SGN00011	.275/.290 (6,99/7,37)	.031/.125 (0,79/3,18)	8-10	.500 (12,70)	.062 (1,57)	.320 (8,13)
60SGN00012	.275/.290 (6,99/7,37)	.031/.125 (0,79/3,18)	8-10	.500 (12,70)	.125 (3,18)	.320 (8,13)
60SGN00013	.275/.290 (6,99/7,37)	.031/.125 (0,79/3,18)	8-10	.500 (12,70)	.250 (6,35)	.320 (8,13)
60SGN00014	.169/.177 (4,29/4,50)	.063 (1,60)	4	.264 (6,71)	.374 (9,50)	.217 (5,51)
60SGN00016	.275/.285 (6,99/7,24)	.031/.156 (0,79/3,96)	8-10	.500 (12,70)	.098 (2,49)	.325 (8,26)
60SGN00037	.347/.350 (8,81/8,89)	.031/.125 (0,78/3,17)	8	.662 (16,81)	.043 (1,09)	.390 (9,90)
60SGN00038	.275/.290 (6,99/7,37)	.031/.156 (0,79/3,96)	8	.500 (12,70)	.375 (9,53)	.320 (8,13)
60SGN00072	.275/.290 (6,99/7,37)	.031/.156 (0,79/3,96)	10	.500 (12,70)	.708 (17,98)	.315 (8,00)
60SGN00073	.280/.285 (7,11/7,24)	.032/.150 (0,81/3,81)	6	1/2 (12,70)	23/32(18,26)	11/32 (8,73)
60SGN00100	.275/.290 (6,99/7,37)	.031/.156 (0,79/3,96)	8-10	.437 (11,10)	.032 (0,81)	.325 (8,26)
60SGN00818	.275/.290 (6,99/7,37)	.031/.109 (0,79/2,77)	8-10	.547 (13,89)	1.062(26,97)	.281 (7,14)
60SGN00910	.281/.286 (7,14/7,26)	.031/.109 (0,79/2,77)	8-10	.492 (12,50)	.693 (17,60)	.281 (7,14)
60SGN00911	.281/.286 (7,14/7,26)	.031/.109 (0,79/2,77)	8-10	.492 (12,50)	.375 (9,53)	.281 (7,14)
60SGN01121	.350/.355 (8,89/9,02)	.032/.125 (0,81/3,18)	12	.534 (13,56)	.130 (3,30)	.281 (7,14)
60SGN01124	.350/.355 (8,89/9,02)	.032/.125 (0,81/3,18)	10	9/16" (14,29)	1/4" (6,35)	.320 (8,13)
60SGN01140	.310/.310 (7,87/7,87)	.031/.160 (0,79/4,06)	10	.500 (12,70)	.035 (0,89)	.292 (7,42)
60SGN01143	.310/.310 (7,87/7,87)	.031/.160 (0,79/4,06)	10	.500 (12,70)	.177 (4,50)	.292 (7,42)
60SGN02200	.425/.429 (10,80/10,90)	.031/.110 (0,79/2,79)	5/16	.740 (18,80)	.190 (4,83)	.312 (7,92)
60SGN02300	.415/.430 (10,54/10,92)	.032/.135 (0,81/3,43)	5/16	.750 (19,05)	.062 (1,57)	.310 (7,87)
60SGN02400	.325/.330 (8,26/8,38)	.031/.156 (0,79/3,96)	10	.565 (14,35)	.062 (1,57)	.320 (8,13)
60SGN02500	.275/.280 (6,99/6,86)	.062/.170 (1,57/4,32)	8	.495 (12,57)	.312 (7,92)	.325 (8,26)
60SGN02700	.415/.430 (10,54/10,92)	.071/.250 (1,80/6,35)	5/16	.750 (19,05)	.062 (1,57)	.430(10,92)

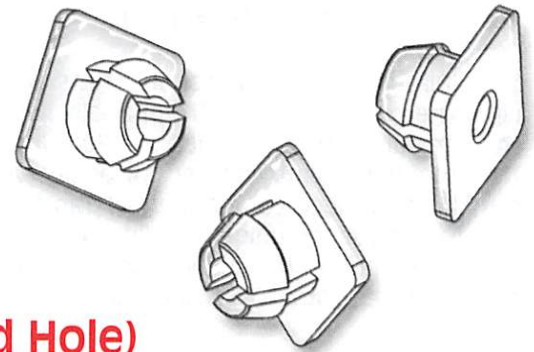
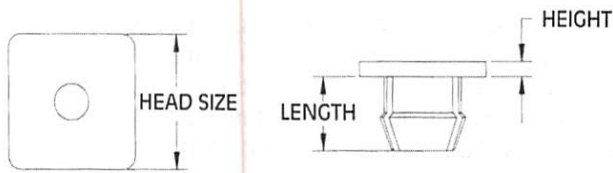


PANEL FASTENERS AND HOLE PLUGS

SECTION
VI

GROMMET NUTS

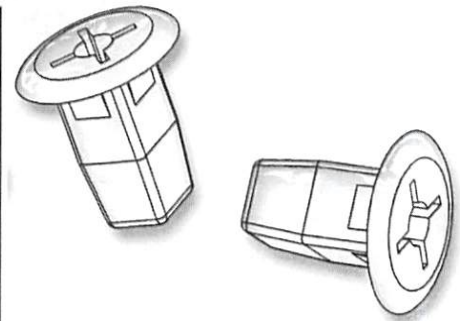
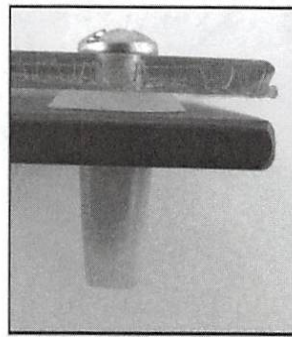
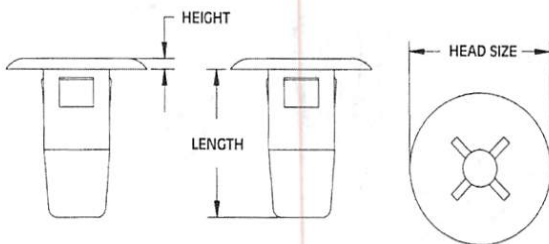
Molded in **Natural Nylon 6/6**



THREE LEGGED SQUARE HEAD (Fits Round Hole)

Molded in **Natural Nylon 6/6**

PART NUMBER	HOLE SIZE RND	PANEL THICKNESS	SCREW SIZE	HEAD SIZE	HEIGHT	LENGTH
60SGN03300	.300/.300 (7,62/7,62)	.031/.135 (0,78/3,43)	6	.485 (12,32)	.055 (1,40)	.265 (6,73)

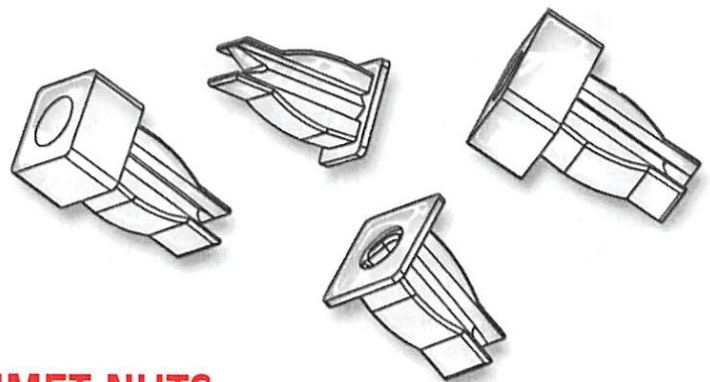
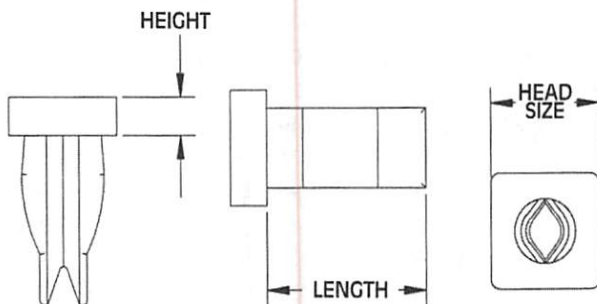


CLOSED GROMMET NUTS

Molded in **Natural Nylon 6/6**

PART NUMBER	HOLE SIZE RCT	PANEL THICKNESS	SCREW SIZE	HEAD SIZE	HEIGHT	LENGTH
60SGN01402*	.355/.355 (9,02/9,02)	.062/.350 (1,57/8,81)	10	.700 (17,78)	.050 (1,27)	.685 (17,40)

*ROUND HEAD



CLOSED SCREW STANDARD GROMMET NUTS

Molded in **Natural Nylon 6/6**

PART NUMBER	HOLE SIZE RCT	PANEL THICKNESS	SCREW SIZE	HEAD SIZE	HEIGHT	LENGTH
60SGC00001	.270-.290 (6,86/7,37)	.020-.140 (0,51/3,56)	8-10	.375 (9,53)	.031 (0,79)	.540 (13,7)
60SGC00002	.270-.290 (6,86/7,37)	.020-.140 (0,51/3,56)	8-10	.375 (9,53)	.062 (1,57)	.540 (13,7)
60SGC00003	.270-.290 (6,86/7,37)	.020-.140 (0,51/3,56)	8-10	.375 (9,53)	.125 (3,18)	.540 (13,7)
60SGC00004	.270-.290 (6,86/7,37)	.020-.140 (0,51/3,56)	8-10	.375 (9,53)	.250 (6,35)	.540 (13,7)
60SGC00005	.309-.315 (7,85/8,00)	.020-.140 (0,51/3,56)	8-10	.437 (11,1)	.031 (0,79)	.540 (13,7)
60SGC00006	.309-.315 (7,85/8,00)	.020-.140 (0,51/3,56)	8-10	.437 (11,1)	.062 (1,57)	.540 (13,7)
60SGC00007	.309-.315 (7,85/8,00)	.020-.140 (0,51/3,56)	8-10	.437 (11,1)	.125 (3,18)	.540 (13,7)
60SGC00008	.309-.315 (7,85/8,00)	.020-.140 (0,51/3,56)	8-10	.437 (11,1)	.250 (6,35)	.540 (13,7)
60SGC00010*	.250-.281 (6,35/7,14)	.020/.140 (0,51/3,56)	8-10	.375 (9,53)	.125 (3,18)	.438 (11,1)

*ROUND HEAD

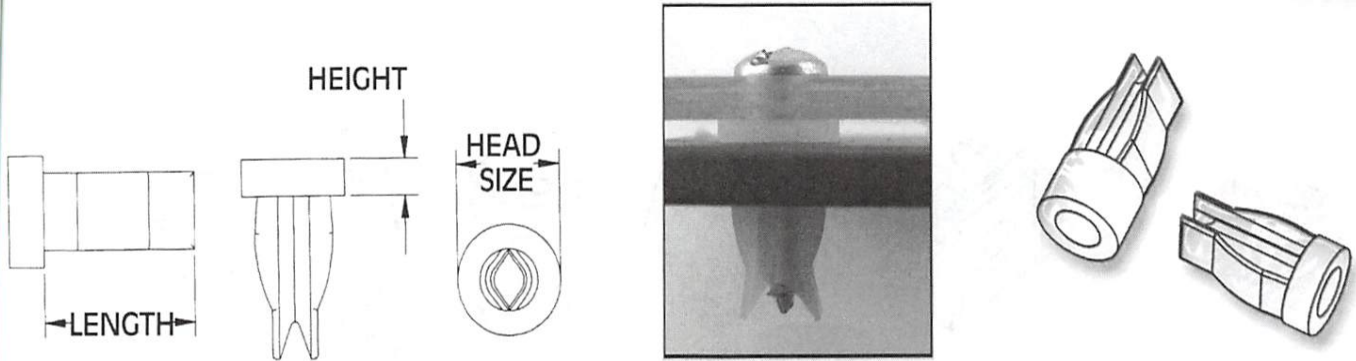


PANEL FASTENERS AND HOLE PLUGS

SECTION
VI

GROMMET NUTS

Molded in **Natural Nylon 6/6**



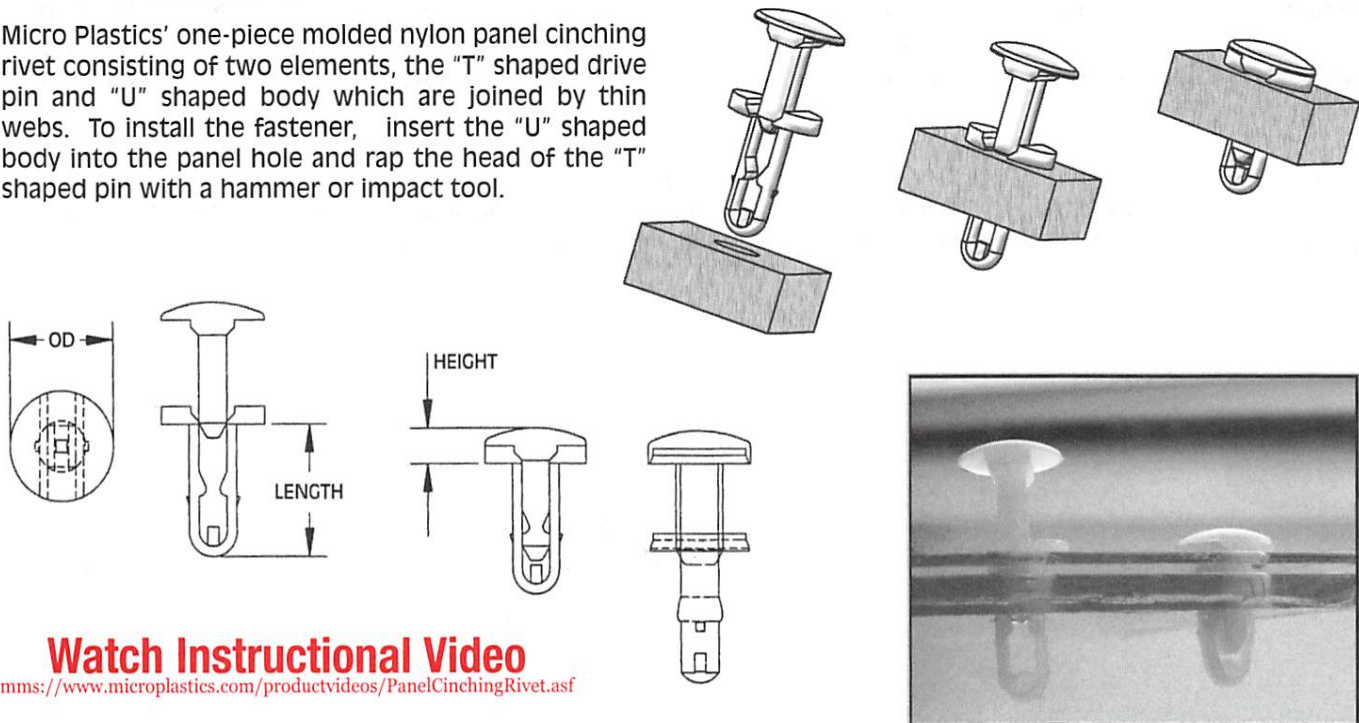
CLOSED SCREW SPACER GROMMET NUTS

PART NUMBER	HEIGHT	HEAD SIZE	HOLE SIZE RCT	PANEL THICKNESS	SCREW SIZE	LENGTH
60SPG00001	.125 (3,18)	3/8" (9,53)	.270-.290 (6,86/7,37)	.020-.140 (0,51/3,56)	8-10	.548 (13,9)
60SPG00002	.187 (4,75)	3/8" (9,53)	.270-.290 (6,86/7,37)	.020-.140 (0,51/3,56)	8-10	.548 (13,9)
60SPG00003	.250 (6,35)	3/8" (9,53)	.270-.290 (6,86/7,37)	.020-.140 (0,51/3,56)	8-10	.548 (13,9)
60SPG00004	.312 (7,92)	3/8" (9,53)	.270-.290 (6,86/7,37)	.020-.140 (0,51/3,56)	8-10	.548 (13,9)
60SPG00005	.375 (9,53)	3/8" (9,53)	.270-.290 (6,86/7,37)	.020-.140 (0,51/3,56)	8-10	.548 (13,9)
60SPG00006	.500 (12,7)	3/8" (9,53)	.270-.290 (6,86/7,37)	.020-.140 (0,51/3,56)	8-10	.548 (13,9)

PANEL CINCHING RIVETS

Molded in **Natural Nylon 6/6**

Micro Plastics' one-piece molded nylon panel cinching rivet consisting of two elements, the "T" shaped drive pin and "U" shaped body which are joined by thin webs. To install the fastener, insert the "U" shaped body into the panel hole and rap the head of the "T" shaped pin with a hammer or impact tool.



Watch Instructional Video

[mms://www.microplastics.com/productvideos/PanelCinchingRivet.asf](https://www.microplastics.com/productvideos/PanelCinchingRivet.asf)

PART NUMBER	HOLE SIZE	PANEL THICKNESS	OD	LENGTH	HEIGHT
27CINCH01	.125 (3,18)	0.020-0.109 (0,51-2,77)	1/4" (6,35)	.357 (9,07)	.080 (2,03)
27CINCH02	.187 (4,75)	0.020-0.174 (0,51-4,42)	3/8" (9,53)	.450 (11,08)	.120 (3,38)
27CINCH03	.250 (6,35)	0.020-0.109 (0,51-2,77)	3/8" (9,53)	.475 (12,07)	.115 (2,92)
27CINCH04	.250 (6,35)	0.020-0.174 (0,51-4,42)	5/8" (15,88)	.555 (14,10)	.117 (2,97)

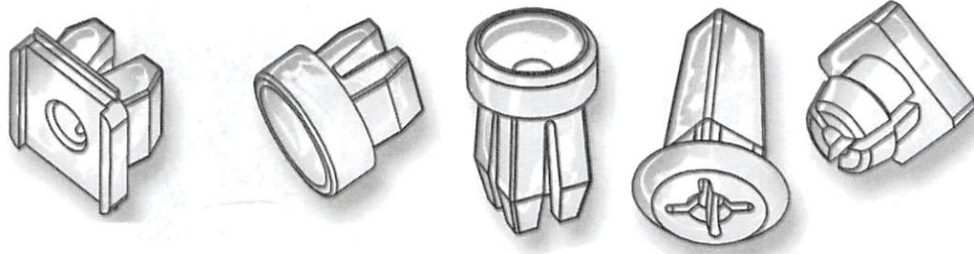
PANEL FASTENERS AND HOLE PLUGS

SECTION
VI

"SPECIAL ITEM" GROMMET NUTS

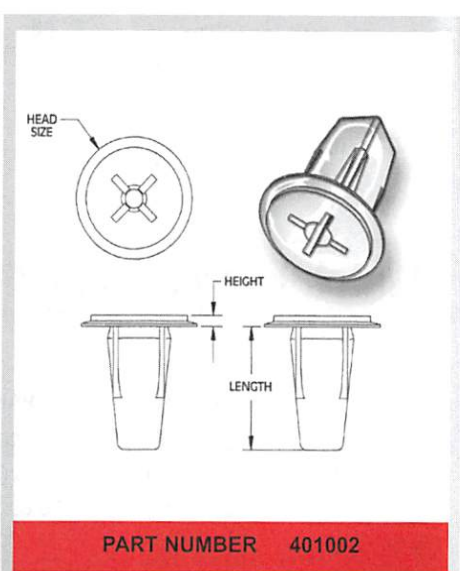
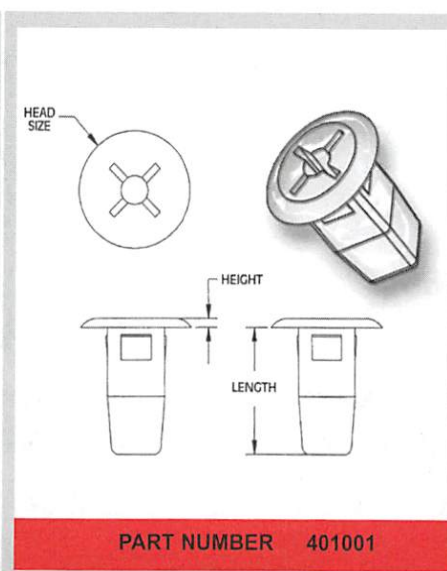
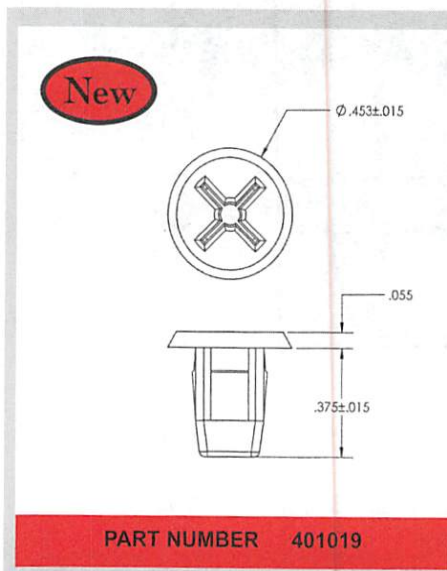
Molded in **Natural Nylon 6/6**

**New
SIZES**



PART NUMBER	HOLE SIZE RCT	PANEL THICKNESS	SCREW SIZE	HEAD SIZE	HEIGHT	LENGTH
401001	.355 (9,02)	.125-.275 (3,17-6,98)	10	.641 (16,3)	.048 (1,22)	.680 (17,3)
401002	.260-.265 (6,60-6,73)	.062-.437 (1,57-11,1)	8	.562 (14,3)	.050 (1,27)	.562 (14,3)
401012	.230-.235 (5,84-5,97)	.125-.275 (3,17-6,98)	8	.375 (9,53)	.125 (3,18)	.406 (10,3)
401018	.280 (7,11)	.056-.235 (1,42-5,99)	4	.531 (13,5)	.062 (1,57)	.640 (16,3)
401019	.260 (6,60)	.062-.250 (1,59-6,35)	8	.453 (11,50)	.055 (1,39)	.375 (9,52)
401021	.275-.290 (6,98-7,37)	.093-.145 (2,36-3,68)	8	1/2 (12,7)	.187 (4,75)	.280 (7,11)
401024	.275-.290 (6,98-7,37)	.031-.140 (0,79-3,56)	10	.450 (11,4)	7/8 (22,2)	.280 (7,11)
401025	.275-.290 (6,98-7,37)	.062-.125 (1,57-3,17)	6	.405/.430 (10,3/10,9)	.073 (1,85)	.213 (5,41)
401034	.285-.290 (7,24-7,37)	.031-.094 (0,79-2,39)	8	.455 (11,6)	2.000 (50,8)	.275 (6,98)
401037	.285-.290 (7,24-7,37)	.031-.094 (0,79-2,39)	8	.455 (11,6)	1.625 (41,2)	.275 (6,98)
401038	.285-.290 (7,24-7,37)	.031-.094 (0,79-2,39)	8	.455 (11,6)	2.250 (57,1)	.275 (6,98)
401039	.285-.290 (7,24-7,37)	.031-.094 (0,79-2,39)	8	.455 (11,6)	2.060 (52,3)	.275 (6,98)
401040	.285-.290 (7,24-7,37)	.031-.094 (0,79-2,39)	8	.495 (12,6)	1.125 (28,6)	.275 (6,98)
401046	.250-.281 (6,35-7,13)	.020-.076 (0,50-1,93)	8-10	.375 (9,53)	.185 (4,70)	.425 (10,8)
401047	.250-.281 (6,35-7,13)	.020-.076 (0,50-1,93)	8-10	.380 (9,65)	.500 (12,7)	.434 (11,0)

PART NUMBER	HOLE SIZE RND	PANEL THICKNESS	SCREW SIZE	HEAD SIZE	HEAD HEIGHT	LOCK LENGTH
401003	.310 (7,87)	.031-.135 (0,79-3,43)	6	.465 (11,8)	.120 (3,05)	.286 (7,26)

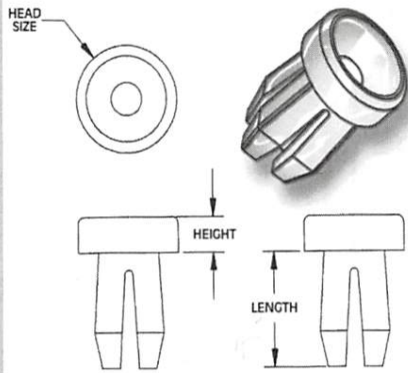


PANEL FASTENERS AND HOLE PLUGS

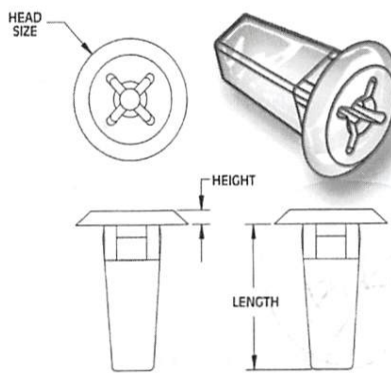
SECTION
VI

"SPECIAL ITEM" GROMMET NUTS

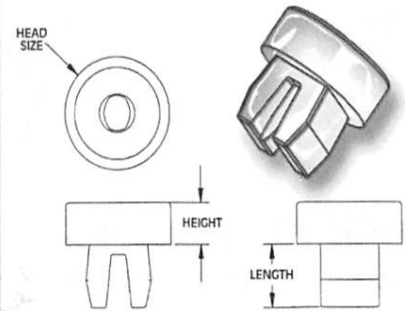
Molded in Natural Nylon 6/6



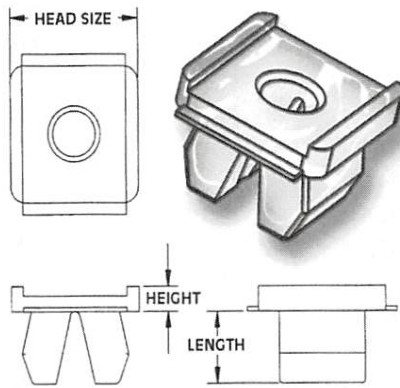
PART NUMBER 401012



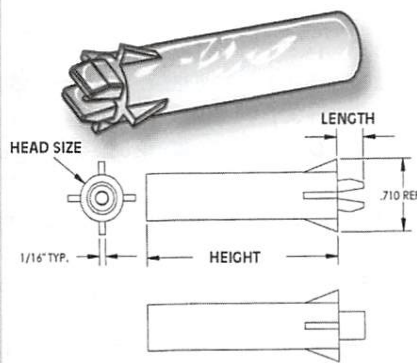
PART NUMBER 401018



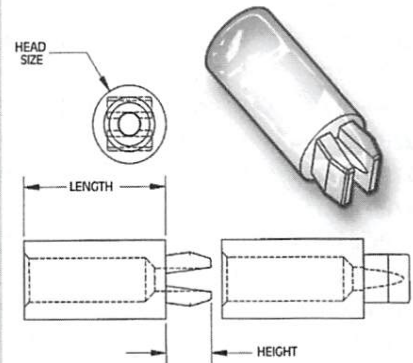
PART NUMBER 401021



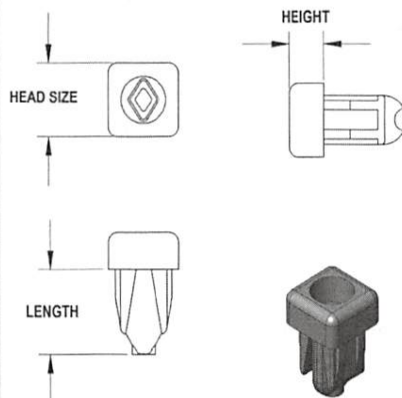
PART NUMBER 401025



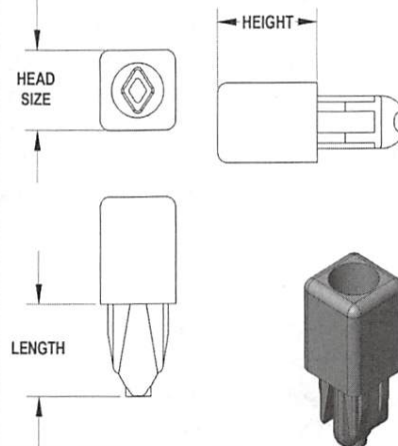
PART NUMBER 401034, 401037, 401038,
401039 and 401040



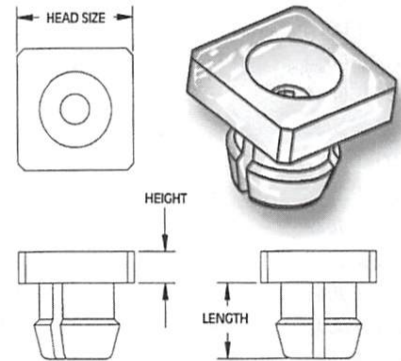
PART NUMBER 401024



PART NUMBER 401046



PART NUMBER 401047



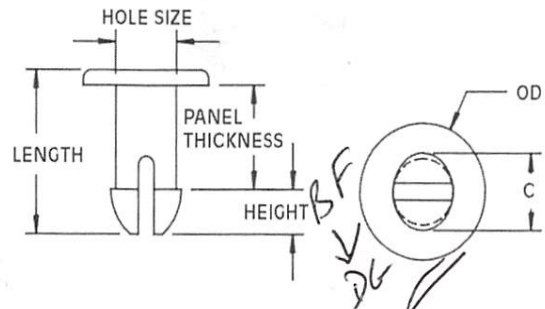
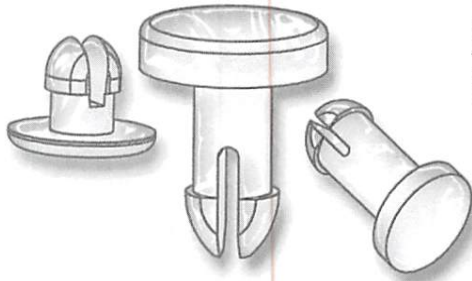
PART NUMBER 401003



PANEL FASTENERS AND HOLE PLUGS

SECTION VI

Micro Plastics' Push-in Fasteners provide an inexpensive, fast, convenient method to join plastic, light sheet metal, insulating materials, circuit boards, or any other thin, light-weight material. They can also be used as push-in glides or as bumpers. Special designed legs provide compression and expansion to lock fastener into pre-punched holes. These fasteners are vibration, abrasion and corrosion resistant, and feature large heads for easier assembly, and can be used over and over.



PUSH-IN-FASTENERS

Molded in **Natural Nylon 6/6**

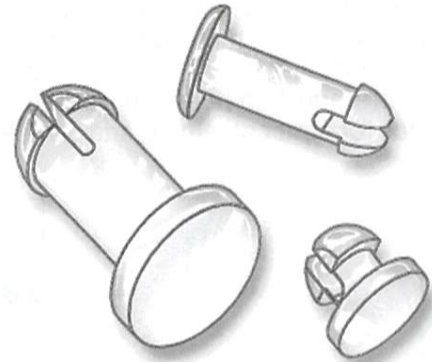
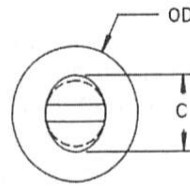
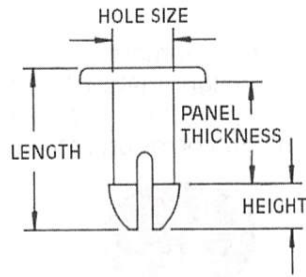
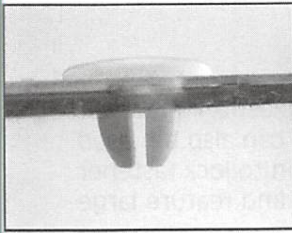
PART NUMBER	DESCRIPTION	OD	PANEL THICKNESS	HEIGHT	C	HOLE SIZE	LENGTH
27PIF0010	PIF 10	.500 (12,70)	.220 (5,59)	.110 (12,79)	.200 (5,08)	.148 (3,76)	.400 (10,16)
27PIF0011	PIF 11	13/64 (5,15)	.208 (5,28)	.083 (2,11)	.140 (3,56)	.115 (2,92)	.320 (8,13)
27PIF0012	PIF 12	.175 (4,45)	.268 (6,81)	.090 (2,29)	.140 (3,56)	.096 (2,44)	.400 (10,16)
27PIF0013	PIF 13	3/16 (4,75)	.533 (13,54)	.087 (2,21)	.130 (3,30)	.095 (2,41)	.675 (17,15)
27PIF0014	PIF 14	.248 (6,30)	.813 (20,65)	.140 (3,56)	.144 (3,66)	.110 (2,79)	1.017 (25,83)
27PIF0015	PIF 15	21/64 (8,33)	.030 (0,76)	.130 (3,30)	.162 (4,12)	.152 (3,86)	.200 (5,08)
27PIF0016	PIF 16	11/16 (17,46)	.260 (6,60)	.265 (6,73)	.355 (9,02)	.288 (7,32)	.586 (14,88)
27PIF0017	PIF 17	11/32 (8,73)	.130 (3,30)	.110 (2,80)	.200 (5,08)	.160 (4,06)	.270 (6,86)
27PIF0018	PIF 18	13/64 (5,15)	.230 (5,84)	.098 (2,49)	.156 (3,96)	.128 (3,25)	.365 (9,27)
27PIF0019	PIF 19	1/4 (6,35)	.445 (11,30)	.085 (2,16)	.145 (3,68)	.095 (2,41)	.590 (14,99)
27PIF0020	PIF 20	15/64 (5,95)	.080 (2,03)	.080 (2,03)	.180 (4,57)	.124 (3,15)	.200 (5,08)
27PIF0021	PIF 21	.186 (4,72)	.200 (5,08)	.065 (1,65)	.104 (2,64)	.080 (2,03)	.297 (7,54)
27PIF0022	PIF 22	1/2 (12,70)	.064 (1,63)	.185 (4,70)	.280 (7,11)	.243 (6,17)	.370 (9,40)
27PIF0023	PIF 23	3/16 (4,75)	.075 (1,91)	.060 (1,52)	.150 (3,81)	.120 (3,05)	.190 (4,83)
27PIF0024	PIF 24	19/32 (15,08)	.365 (9,27)	.187 (4,75)	.295 (7,49)	.245 (6,22)	.685 (17,40)
27PIF0025	PIF 25	15/64 (5,95)	1.010 (25,65)	.082 (2,08)	.164 (4,17)	.124 (3,15)	1.13 (28,70)
27PIF0026	PIF 26	15/64 (5,95)	.080 (2,03)	.070 (1,78)	.180 (4,57)	.124 (3,15)	.205 (5,21)
27PIF0027	PIF 27	3/8 (9,52)	1.062 (26,97)	.177 (4,50)	.202 (5,13)	.165 (4,19)	1.303 (28,32)
27PIF0028	PIF 28	11/32 (8,73)	.875 (22,23)	.174 (4,42)	.224 (5,69)	.175 (4,45)	1.115 (28,32)
27PIF0029	PIF 29	13/64 (5,15)	.210 (5,33)	.091 (2,31)	.179 (4,55)	.130 (3,30)	.342 (8,69)
27PIF0030	PIF 30	.135 (3,43)	.125 (3,18)	.070 (1,78)	.110 (2,79)	.089 (2,26)	.235 (5,97)
27PIF0031	PIF 31	25/64 (9,93)	.503 (12,78)	.210 (5,33)	.295 (7,49)	.230 (5,84)	1.083 (27,51)
27PIF0032	PIF 32	13/64 (5,15)	.235 (5,97)	.066 (1,68)	.145 (3,68)	.115 (2,92)	.341 (8,66)
27PIF0033	PIF 33	3/8 (9,52)	.505 (12,83)	.130 (3,30)	.200 (5,08)	.160 (4,06)	.705 (17,91)
27PIF0034	PIF 34	3/4 (19,05)	.636 (16,15)	.180 (4,57)	.220 (5,59)	.180 (4,57)	.875 (22,23)
27PIF0035	PIF 35	5/16 (7,94)	.125 (3,18)	.070 (1,78)	.110 (2,80)	.089 (2,26)	.235 (5,96)
27PIF0036	PIF 36	3/16 (4,75)	.066 (1,68)	.075 (1,91)	.100 (2,54)	.090 (2,29)	.179 (4,55)
27PIF0037	PIF 37	3/8 (9,52)	.636 (16,15)	.180 (4,57)	.220 (5,59)	.180 (4,57)	.875 (22,22)
27PIF0038*	PIF 38*	9/32 (7,14)	.063 (1,60)	.078 (1,98)	.100 (2,54)	.093 (2,36)	.165 (4,19)
27PIF0039	PIF 39	1/4 (6,35)	.115 (2,92)	.085 (2,16)	.145 (3,68)	.093 (2,36)	.240 (6,10)
27PIF0040*	PIF 40*	9/32 (7,14)	.093 (2,36)	.068 (1,72)	.105 (2,67)	.093 (2,36)	.194 (4,92)
27PIF0041*	PIF 41*	5/16 (7,94)	.121 (3,07)	.085 (2,16)	.145 (3,68)	.089 (2,26)	.246 (6,25)
27PIF0042	PIF 42	13/64 (5,15)	.190 (4,83)	.090 (2,29)	.180 (4,57)	.130 (3,30)	.320 (8,13)
27PIF0043	PIF 43	13/64 (5,15)	.156 (3,96)	.135 (3,43)	.140 (3,56)	.115 (2,92)	.320 (8,13)
27PIF0044	PIF 44	13/64 (5,15)	.135 (3,43)	.135 (3,43)	.140 (3,56)	.115 (2,92)	.295 (7,49)
27PIF0045	PIF 45	13/64 (5,15)	.235 (5,97)	.070 (1,79)	.137 (3,48)	.115 (2,92)	.345 (8,76)
27PIF0046	PIF 46	13/64 (5,15)	.250 (6,35)	.106 (2,69)	.145 (3,68)	.115 (2,92)	.395 (10,03)
27PIF0047	PIF 47	13/64 (5,15)	.121 (3,07)	.105 (2,67)	.145 (3,68)	.115 (2,92)	.260 (6,60)
27PIF0048	PIF 48	25/64 (9,93)	.315 (8,00)	.113 (2,87)	.208 (5,28)	.160 (4,06)	.488 (12,40)

PARTS WITH * HAVE NO SLOT -----"L" DIM.



PANEL FASTENERS AND HOLE PLUGS

SECTION
VI



PUSH-IN-FASTENERS

Molded in **Natural Nylon 6/6**

PART NUMBER	DESCRIPTION	OD	PANEL THICKNESS	HEIGHT	C	HOLE SIZE	LENGTH
27PIF0049	PIF 49	11/32 (8,73)	.450 (11,43)	.160 (4,06)	.200 (5,08)	.160 (4,06)	.680 (17,27)
27PIF0050	PIF 50	11/32 (8,73)	.125 (3,18)	.137 (3,48)	.202 (5,13)	.165 (4,19)	.305 (7,75)
27PIF0051	PIF 51	11/32 (8,73)	.065 (1,65)	.137 (3,48)	.202 (5,13)	.165 (4,19)	.325 (8,26)
27PIF0052	PIF 52	11/32 (8,73)	.556 (14,12)	.153 (3,89)	.225 (5,72)	.180 (4,57)	.780 (19,81)
27PIF0053	PIF 53	11/32 (8,73)	.242 (6,15)	.174 (4,42)	.224 (5,69)	.175 (4,45)	.490 (12,45)
27PIF0054	PIF 54	11/32 (8,73)	.197 (5,00)	.185 (4,70)	.295 (7,49)	.255 (6,48)	.415 (10,54)
27PIF0055	PIF 55	11/32 (8,73)	.555 (14,08)	.145 (3,68)	.225 (5,71)	.180 (4,57)	.770 (19,56)
27PIF0056	PIF 56	9/64 (3,56)	.315 (8,00)	.075 (1,91)	.135 (3,43)	.095 (2,41)	.450 (11,43)
27PIF0057	PIF 57	7/16 (11,10)	.120 (3,05)	.236 (5,99)	.380 (9,65)	.305 (7,74)	.426 (10,82)
27PIF0058	PIF 58	15/32 (11,90)	.121 (3,07)	.153 (3,86)	.238 (6,05)	.200 (5,08)	.324 (8,24)
27PIF0059	PIF 59	3/16 (4,75)	.145 (3,69)	.065 (1,65)	.105 (2,66)	.090 (2,29)	.255 (6,48)
27PIF0060	PIF 60	15/32 (11,90)	.156 (3,89)	.125 (3,18)	.228 (5,79)	.200 (5,05)	.333 (8,46)
27PIF0061	PIF 61	11/32 (8,73)	.368 (9,35)	.105 (2,67)	.236 (5,99)	.203 (5,16)	.540 (13,72)
27PIF0062	PIF 62	25/64 (9,93)	1.730 (43,94)	.222 (5,64)	.295 (7,49)	.230 (5,84)	2.010 (51,05)
27PIF0063	PIF 63	29/64 (11,51)	.276 (7,01)	.142 (3,61)	.295 (7,49)	.240 (6,10)	.460 (11,68)
27PIF0064	PIF 64	29/64 (11,51)	.300 (7,62)	.170 (4,32)	.298 (7,57)	.243 (6,17)	.535 (13,59)
27PIF0065	PIF 65	19/32 (15,08)	.480 (12,19)	.175 (4,45)	.293 (7,44)	.245 (6,22)	.715 (18,16)
27PIF0066	PIF 66	29/64 (11,51)	.330 (8,38)	.187 (4,75)	.295 (7,49)	.240 (6,10)	.555 (14,10)
27PIF0067	PIF 67	1/2 (12,70)	.171 (4,34)	.187 (4,75)	.295 (7,49)	.260 (6,60)	.405 (10,29)
27PIF0068	PIF 68	11/16 (17,45)	.140 (3,56)	.243 (6,17)	.360 (9,14)	.290 (7,37)	.468 (11,89)
27PIF0069*	PIF 69*	.312 (7,92)	.095 (2,41)	.075 (1,91)	.145 (3,68)	.095 (2,41)	.218 (5,54)
27PIF0070	PIF 70	19/32 (15,08)	.171 (4,34)	.187 (4,75)	.295 (7,49)	.260 (6,60)	.418 (10,62)
27PIF0071	PIF 71	19/32 (15,08)	.250 (6,35)	.187 (4,75)	.290 (7,37)	.245 (6,22)	.497 (12,62)
27PIF0072	PIF 72	19/32 (15,08)	.365 (9,27)	.187 (4,75)	.290 (7,37)	.245 (6,22)	.622 (15,80)
27PIF0073	PIF 73	11/32 (8,73)	.171 (4,34)	.187 (4,75)	.295 (7,49)	.260 (6,60)	.380 (9,65)
27PIF0074	PIF 74	19/32 (15,08)	.405 (10,29)	.160 (4,06)	.315 (8,00)	.275 (6,99)	.620 (15,75)
27PIF0075	PIF 75	1/4 (6,35)	.550 (13,97)	.135 (3,43)	.145 (3,68)	.112 (2,84)	.745 (18,92)
27PIF0076	PIF 76	15/32 (11,90)	.129 (3,28)	.148 (3,76)	.238 (6,05)	.197 (5,00)	.399 (10,13)
27PIF0077	PIF 77	15/64 (5,95)	.320 (8,13)	.084 (2,13)	.145 (3,68)	.118 (3,00)	.437 (11,10)
27PIF0078	PIF 78	13/32 (10,32)	.250 (6,35)	.100 (2,54)	.278 (7,06)	.217 (5,51)	.395 (10,03)
27PIF0079	PIF 79	9/16 (14,29)	.950 (24,13)	.174 (4,42)	.228 (5,79)	.172 (4,37)	1.20 (30,48)
27PIF0080	PIF 80	3/8 (9,53)	1.125 (28,58)	.17 (4,32)	.202 (5,13)	.165 (4,19)	1.365 (34,67)
27PIF0081	PIF 81	.343 (8,71)	.125 (3,18)	.137 (3,48)	.202 (5,13)	.165 (4,19)	.31 (7,87)
27PIF0082	PIF 82	11/16 (17,45)	.250 (6,35)	.258 (6,55)	.360 (9,14)	.290 (7,37)	.585 (14,86)
27PIF0083	PIF 83	1/2 (12,70)	.064 (1,63)	.138 (3,51)	.280 (7,11)	.243 (6,17)	.262 (6,65)
27PIF0084	PIF 84	1/2 (12,70)	.099 (2,51)	.168 (4,27)	.280 (7,11)	.245 (6,22)	.324 (8,23)
27PIF0085	PIF 85	1/2 (12,70)	.127 (3,23)	.185 (4,70)	.281 (7,14)	.241 (6,12)	.361 (9,17)
27PIF0086	PIF 86	1/2 (12,70)	.156 (3,96)	.170 (4,32)	.281 (7,14)	.242 (6,15)	.380 (9,65)
27PIF0087	PIF 87	1/2 (12,70)	.189 (4,80)	.156 (3,96)	.278 (7,06)	.241 (6,12)	.395 (10,03)
27PIF0088	PIF 88	1/2 (12,70)	.219 (5,56)	.175 (4,44)	.277 (7,04)	.239 (6,07)	.445 (11,30)
27PIF0089	PIF 89	1/2 (12,70)	.250 (6,35)	.175 (4,44)	.283 (7,19)	.241 (6,12)	.487 (12,37)

PARTS WITH * HAVE NO SLOT -----"L" DIM.



Get quote >>

Angic Global Solutions

1-888-872-0690

TELEPHONE: (877)

croplastics.com • V

<https://www.AngicGlobal.com> Sales@AngicGlobal.com

INC. 147

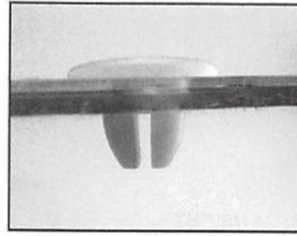
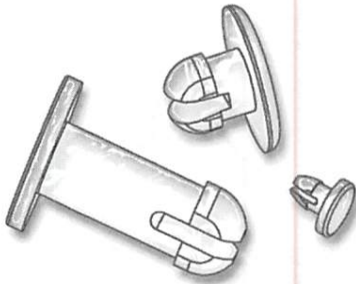
PANEL FASTENERS AND HOLE PLUGS

SECTION VI

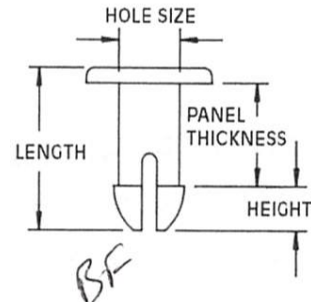
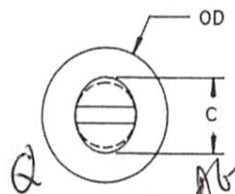
PUSH-IN-FASTENERS

Molded in **Natural Nylon 6/6**

Micro Plastics' Push-in Fasteners provide an inexpensive, fast, convenient method to join plastic, light sheet metal, insulating materials, circuit boards, or any other thin, light-weight material. They can also be used as push-in glides or as bumpers. Special designed legs provide compression and expansion to lock fastener into pre-punched holes. These fasteners are vibration, abrasion and corrosion resistant, and feature large heads for easier assembly, and can be used over and over.



New SIZES



PART NUMBER	DESCRIPTION	OD	PANEL THICKNESS	HEIGHT	C	HOLE SIZE	LENGTH
27PIF0090	PIF 90	1/2 (12,70)	.281 (7,14)	.176 (4,47)	.280 (7,11)	.240 (6,10)	.513 (13,03)
27PIF0091	PIF 91	1/2 (12,70)	.314 (7,98)	.152 (3,86)	.281 (7,14)	.241 (6,12)	.520 (13,21)
27PIF0092	PIF 92	1/2 (12,70)	.345 (8,76)	.177 (4,50)	.281 (7,14)	.240 (6,10)	.578 (14,68)
27PIF0093	PIF 93	1/2 (12,70)	.375 (9,53)	.166 (4,22)	.281 (7,14)	.242 (6,15)	.609 (15,47)
27PIF0094	PIF 94	1/2 (12,70)	.405 (10,29)	.175 (4,44)	.282 (7,16)	.243 (6,17)	.638 (16,21)
27PIF0095	PIF 95	19/32 (15,08)	.130 (3,30)	.125 (3,18)	.205 (5,21)	.145 (3,68)	.305 (7,75)
27PIF0096	PIF 96	1/2 (12,70)	.466 (11,84)	.183 (4,64)	.280 (7,11)	.240 (6,10)	.701 (17,81)
27PIF0097	PIF 97	1/2 (12,70)	.498 (12,65)	.162 (4,11)	.283 (7,19)	.240 (6,10)	.713 (18,11)
27PIF0098	PIF 98	1/2 (12,70)	.438 (11,13)	.176 (4,47)	.281 (7,14)	.240 (6,10)	.672 (17,07)
27PIF0099	PIF 99	1/2 (12,70)	1.020 (25,91)	.380 (9,65)	.475 (12,07)	.360 (9,14)	1.460 (37,08)
27PIF0100	PIF 100	3/8 (9,53)	1.543 (39,19)	.205 (5,21)	.295 (7,49)	.250 (6,35)	1.875 (47,63)
27PIF0101	PIF 101	.680 (17,28)	.154 (3,91)	.255 (6,48)	.347 (8,81)	.285 (7,24)	.473 (12,01)
27PIF0102	PIF 102	.300 (7,62)	.050 (1,27)	.137 (3,48)	.202 (5,13)	.165 (4,19)	.337 (8,56)
27PIF0104	PIF 104	15/64 (0,23)	.750 (19,05)	.082 (2,08)	.164 (4,17)	.120 (3,05)	.875 (22,23)
27PIF0105	PIF 105	5/8 (15,88)	1.065 (27,05)	.360 (9,14)	.360 (9,14)	.270 (6,86)	1.50 (38,10)
27PIF0106	PIF 106	.380 (9,65)	.340 (8,64)	.180 (4,57)	.220 (5,59)	.180 (4,57)	.580 (14,73)
27PIF0107	PIF 107	.310 (7,87)	.195 (4,95)	.200 (5,08)	.200 (5,08)	.160 (4,06)	.450 (11,43)
27PIF0108	PIF 108	.155 (3,94)	.460 (11,68)	.085 (2,16)	.135 (3,43)	.093 (2,36)	.595 (15,11)
27PIF0109	PIF 109	15/64 (5,94)	.080 (2,03)	.060 (1,52)	.200 (5,08)	.160 (4,06)	.180 (4,57)
27PIF0110	PIF 110	3/16 (4,76)	.140 (3,55)	.090 (2,29)	.135 (3,43)	.090 (2,29)	.300 (7,62)
27PIF0111	PIF 111	.320 (8,13)	.130 (3,30)	.110 (2,79)	.220 (5,59)	.195 (4,95)	.290 (7,37)
27PIF0112	PIF 112	.320 (8,13)	.180 (4,57)	.110 (2,79)	.220 (5,59)	.195 (4,95)	.340 (8,64)
27PIF0113	PIF 113	.344 (8,74)	.560 (14,22)	.145 (3,68)	.224 (5,69)	.175 (4,44)	.765 (19,43)
27PIF0114*	PIF 114*	25/64 (9,93)	.440 (11,18)	.113 (2,87)	.200 (5,08)	.157 (3,99)	.613 (15,57)
27PIF0115*	PIF 115*	.200 (5,08)	.307 (7,80)	.080 (2,03)	.130 (3,30)	.090 (2,29)	.437 (11,10)
27PIF0116	PIF 116	.750 (19,05)	.320 (8,13)	.180 (4,57)	.220 (5,59)	.180 (4,57)	.559 (14,20)
27PIF0117	PIF 117	.200 (5,08)	.638 (16,21)	.080 (2,03)	.130 (3,30)	.090 (2,29)	.768 (19,51)
27PIF0118	PIF 118	1/2 (12,70)	.250 (6,35)	.187 (4,75)	.290 (7,37)	.245 (6,22)	.497 (12,62)
27PIF0119	PIF 119	3/8 (9,52)	1.062 (26,97)	.177 (4,50)	.202 (5,13)	.165 (4,19)	1.269 (32,23)
27PIF0120	PIF 120	15/64 (5,95)	.080 (2,03)	.060 (1,52)	.180 (4,57)	.124 (3,15)	.180 (4,57)
27PIF0121	PIF 121	5/16 (7,94)	.602 (15,29)	.080 (2,03)	.165 (4,19)	.120 (3,04)	.732 (18,59)
27PIF0122	PIF 122	13/64 (5,15)	.195 (4,95)	.083 (2,10)	.170 (4,31)	.120 (3,04)	.320 (8,12)
27PIF0123	PIF 123	13/64 (5,15)	.170 (4,31)	.083 (2,10)	.170 (4,31)	.120 (3,04)	.295 (7,49)
27PIF0124	PIF 124	.375 (9,53)	1.010 (25,65)	.125 (3,18)	.235 (5,96)	.192 (4,87)	1.187 (30,15)
27PIF0125	PIF 125	.375 (9,53)	1.510 (38,35)	.125 (3,18)	.235 (5,96)	.192 (4,87)	1.687 (42,85)
27PIF0126	PIF 126	.492 (12,49)	.768 (19,50)	.172 (4,36)	.415 (10,54)	.350 (8,89)	1.140 (28,95)
27PIF0127	PIF 127	.437 (11,09)	.465 (11,81)	.176 (4,47)	.224 (5,68)	.175 (4,44)	.711 (18,05)
27PIF0128	PIF 128	.250 (6,35)	.670 (17,01)	.135 (3,42)	.145 (3,68)	.112 (2,84)	.865 (21,97)

PARTS WITH * HAVE NO SLOT -----"L" DIM.

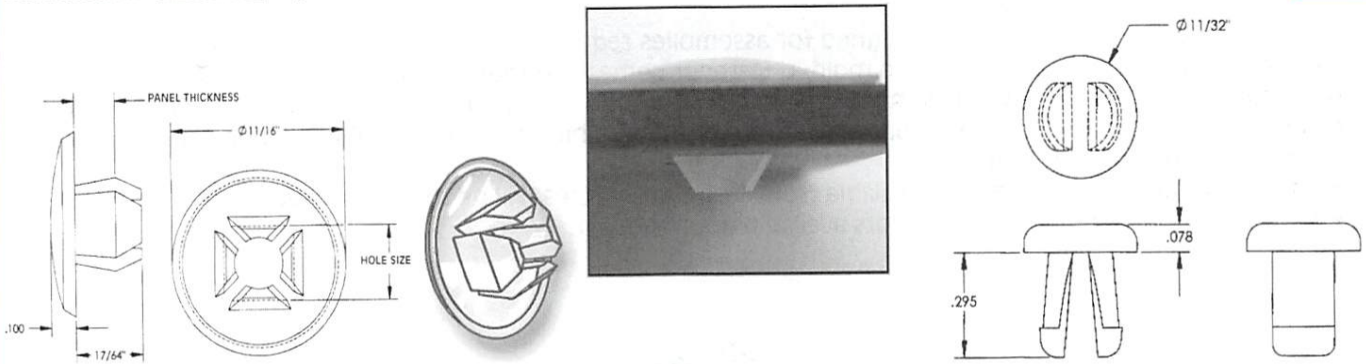


PANEL FASTENERS AND HOLE PLUGS

SECTION
VI

"SPECIAL ITEM" PUSH-IN-FASTENERS

Molded in **Natural Nylon 6/6**

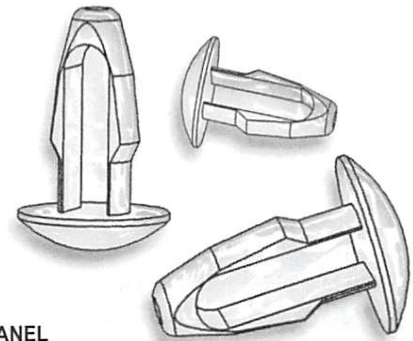


PART NUMBER	HOLE SIZE RCT	PANEL THICKNESS	PART NUMBER	HOLE SIZE RND	PANEL THICKNESS
401005	.285 (7,24) SQUARE HOLE	.156" (3,96)	401041	.192-.197 (4,88-5,00)	.093"/.203" (2,36/5,16)

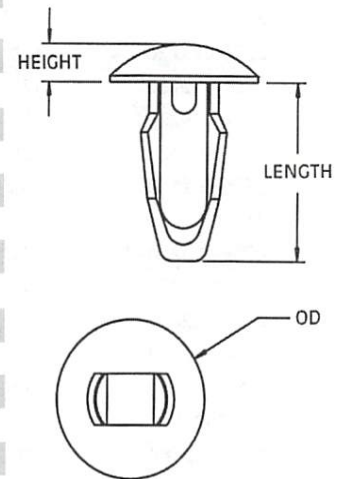
SNAP CLIPS

Molded in **Natural Acetal**

A combination of Celcon Acetal material, and a resilient body design, give these parts a positive "snap" and more definite grip when assembled into place. Designed for other hole sizes from 1/8" to 1/4" and panel thicknesses from 1/32" to 3/16".



PART NUMBER	HEIGHT	LENGTH	OD	HOLE SIZE RND	PANEL THICKNESS
27SNC1250032	.060 (1,52)	1/4 (6,35)	1/4 (6,35)	.125 (3,18)	.032 (0,81)
27SNC1250062	.060 (1,52)	9/32 (7,14)	1/4 (6,35)	.125 (3,18)	.062 (1,57)
27SNC1250093	.060 (1,52)	5/16 (7,94)	1/4 (6,35)	.125 (3,18)	.093 (2,36)
27SNC1250125	.060 (1,52)	11/32 (8,73)	1/4 (6,35)	.125 (3,18)	.125 (3,18)
27SNC1560032	.060 (1,52)	9/32 (7,14)	5/16 (7,94)	.156 (3,96)	.032 (0,81)
27SNC1560062	.060 (1,52)	5/16 (7,94)	5/16 (7,94)	.156 (3,96)	.062 (1,57)
27SNC1560093	.060 (1,52)	11/32 (8,73)	5/16 (7,94)	.156 (3,96)	.093 (2,36)
27SNC1560125	.060 (1,52)	25/64 (9,92)	5/16 (7,94)	.156 (3,96)	.125 (3,18)
27SNC1560156	.060 (1,52)	13/32 (10,32)	5/16 (7,94)	.156 (3,96)	.156 (3,96)
27SNC1870032	.060 (1,52)	5/16 (7,94)	5/16 (7,94)	.187 (4,75)	.032 (0,81)
27SNC1870062	.060 (1,52)	11/32 (8,73)	5/16 (7,94)	.187 (4,75)	.062 (1,57)
27SNC1870093	.060 (1,52)	3/8 (9,53)	5/16 (7,94)	.187 (4,75)	.093 (2,36)
27SNC1870125	.060 (1,52)	13/32 (10,32)	5/16 (7,94)	.187 (4,75)	.125 (3,18)
27SNC1870156	.060 (1,52)	7/16 (11,11)	5/16 (7,94)	.187 (4,75)	.156 (3,96)
27SNC1870187	.060 (1,52)	15/32 (11,91)	5/16 (7,94)	.187 (4,75)	.187 (4,75)
27SNC2190032	.060 (1,52)	25/64 (9,92)	11/32 (8,73)	.219 (5,56)	.032 (0,81)
27SNC2190062	.060 (1,52)	27/64 (10,72)	11/32 (8,73)	.219 (5,56)	.062 (1,57)
27SNC2190093	.060 (1,52)	29/64 (11,51)	11/32 (8,73)	.219 (5,56)	.093 (2,36)
27SNC2190125	.060 (1,52)	31/64 (12,30)	11/32 (8,73)	.219 (5,56)	.125 (3,18)
27SNC2190156	.060 (1,52)	33/64 (13,11)	11/32 (8,73)	.219 (5,56)	.156 (3,96)
27SNC2190187	.060 (1,52)	35/64 (13,89)	11/32 (8,73)	.219 (5,56)	.187 (4,75)
27SNC2500032	.060 (1,52)	13/32 (10,32)	1/2 (12,70)	.250 (6,35)	.032 (0,81)
27SNC2500062	.060 (1,52)	27/64 (10,72)	1/2 (12,70)	.250 (6,35)	.062 (1,57)
27SNC2500093	.060 (1,52)	29/64 (11,51)	1/2 (12,70)	.250 (6,35)	.093 (2,36)
27SNC2500125	.060 (1,52)	31/64 (12,30)	1/2 (12,70)	.250 (6,35)	.125 (3,18)
27SNC2500156	.060 (1,52)	33/64 (13,11)	1/2 (12,70)	.250 (6,35)	.156 (3,96)
27SNC2500187	.060 (1,52)	35/64 (13,89)	1/2 (12,70)	.250 (6,35)	.187 (4,75)



PANEL FASTENERS AND HOLE PLUGS

SECTION

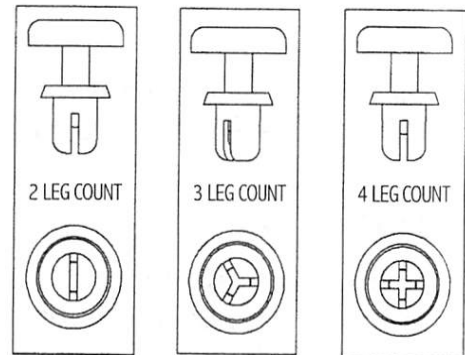
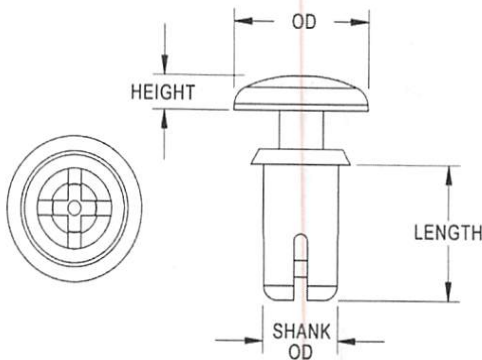
VI

SNAP RIVETS

Molded in **Black Nylon 6/6**

Micro Plastics' Nylon Snap Rivet is designed for assemblies requiring fast and economical fasteners that can be installed without tools. The two piece molded fastener comes assembled ready for use. The Rivet is placed in the hole and the smooth, oversized head is pressed. The specially designed legs expand and firmly lock the components permanently in place. Snap Rivets are molded in high dielectric (UL 94V2) Nylon 6/6 making them ideal for electronic applications.

- The following standard sizes are available from stock, other sizes will be tooled on request.
- Parts are stocked in black, other colors available upon request.



ITEM NUMBER	PANEL THICKNESS	HOLE SIZE RND	SHANK OD	LENGTH	HEIGHT	OD	LEG COUNT
27SR079090	.024/.047 (0,6/1,2)	.083/.087 (2,1/2,2)	.076 (1,9)	.090 (2,3)	.047 (1,2)	.165 (4,2)	2
27SR079130	.051/.079 (1,3/2,0)	.083/.087 (2,1/2,2)	.076 (1,9)	.130 (3,3)	.047 (1,2)	.165 (4,2)	2
27SR079160	.083/.110 (2,1/2,8)	.083/.087 (2,1/2,2)	.076 (1,9)	.160 (4,0)	.047 (1,2)	.165 (4,2)	2
27SR079190	.114/.142 (2,9/3,6)	.083/.087 (2,1/2,2)	.076 (1,9)	.190 (4,8)	.047 (1,2)	.165 (4,2)	2
27SR079220	.148/.170 (3,8/4,3)	.083/.087 (2,1/2,2)	.076 (1,9)	.220 (5,6)	.047 (1,2)	.165 (4,2)	2
27SR079250	.173/.197 (4,4/5,0)	.083/.087 (2,1/2,2)	.076 (1,9)	.250 (6,3)	.047 (1,2)	.165 (4,2)	2
27SR079295	.205/.225 (5,2/5,7)	.083/.087 (2,1/2,2)	.076 (1,9)	.295 (7,4)	.047 (1,2)	.165 (4,2)	2
27SR102125	.035/.080 (0,9/2,0)	.105/.109 (2,6/2,7)	.100 (2,5)	.125 (3,1)	.062 (1,5)	.203 (5,1)	4
27SR102130	.039/.079 (0,9/2,0)	.102/.106 (2,6/2,7)	.100 (2,5)	.130 (3,3)	.055 (1,4)	.197 (5,0)	2
27SR102190	.106/.142 (2,6/3,6)	.102/.106 (2,6/2,7)	.100 (2,5)	.190 (4,8)	.055 (1,4)	.197 (5,0)	2
27SR106220	.134/.169 (3,4/4,3)	.102/.106 (2,6/2,7)	.100 (2,5)	.220 (5,6)	.055 (1,4)	.197 (5,0)	2
27SR102250	.142/.198 (3,6/5,0)	.102/.106 (2,6/2,7)	.100 (2,5)	.250 (6,3)	.055 (1,4)	.197 (5,0)	2
27SR102280	.170/.229 (4,3/5,8)	.102/.106 (2,6/2,7)	.100 (2,5)	.281 (7,1)	.055 (1,4)	.197 (5,0)	2
27SR102170	.078/.118 (2,0/3,0)	.107/.111 (2,7/2,8)	.102 (2,6)	.170 (4,3)	.067 (1,7)	.203 (5,1)	4
27SR102220	.125/.156 (3,1/3,9)	.107/.111 (2,7/2,8)	.102 (2,6)	.200 (5,0)	.064 (1,9)	.201 (5,1)	4
27SR0010	.050/.100 (1,3/2,5)	.123/.127 (3,1/3,2)	.118 (3,0)	.140 (3,5)	.065 (1,6)	.254 (6,4)	4
27SR122180	.079/.118 (2,0/3,0)	.122/.126 (3,0/3,2)	.118 (3,0)	.180 (4,5)	.063 (1,6)	.252 (6,4)	2
27SR118180	.075/.120 (1,9/3,0)	.123/.127 (3,1/3,2)	.118 (3,0)	.183 (4,6)	.062 (1,5)	.245 (6,2)	2
27SR118260	.157/.197 (4,0/5,0)	.122/.126 (3,0/3,2)	.118 (3,0)	.260 (6,6)	.063 (1,6)	.252 (6,4)	2
27SR118300	.197/.236 (5,0/6,0)	.122/.126 (3,0/3,2)	.118 (3,0)	.300 (7,6)	.063 (1,6)	.252 (6,4)	2
27SR118310	.217/.256 (5,5/6,5)	.122/.126 (3,0/3,2)	.118 (3,0)	.310 (7,9)	.063 (1,6)	.252 (6,4)	2
27SR118350	.256/.295 (6,5/7,5)	.122/.126 (3,0/3,2)	.118 (3,0)	.350 (8,9)	.063 (1,6)	.252 (6,4)	2
27SR118390	.295/.335 (7,5/8,5)	.122/.126 (3,0/3,2)	.118 (3,0)	.390 (9,9)	.063 (1,6)	.252 (6,4)	2
27SR1180515	.400/.440 (10,2/11,2)	.123/.127 (3,1/3,2)	.118 (3,0)	.520 (13,2)	.068 (1,7)	.253 (6,4)	3
27SR0012	.122/.160 (3,0/4,0)	.127/.131 (3,2/3,3)	.122 (3,0)	.220 (5,6)	.065 (1,6)	.249 (6,3)	4
27SR138140	.047/.083 (1,9/2,1)	.142/.146 (3,6/3,7)	.135 (3,4)	.140 (3,5)	.063 (1,6)	.252 (6,4)	4
27SR138180	.083/.118 (2,1/3,0)	.142/.146 (3,6/3,7)	.135 (3,4)	.170 (4,3)	.063 (1,6)	.252 (6,4)	4
27SR135180	.060/.120 (1,5/3,0)	.140/.144 (3,5/3,6)	.135 (3,4)	.180 (4,6)	.061 (1,5)	.253 (6,4)	4
27SR138200	.106/.142 (2,7/3,6)	.142/.146 (3,6/3,7)	.135 (3,4)	.200 (5,0)	.063 (1,6)	.252 (6,4)	4
27SR135220	.118/.157 (3,0/4,0)	.140/.144 (3,5/3,6)	.135 (3,4)	.220 (5,6)	.060 (1,5)	.252 (6,4)	4
27SR138240	.146/.181 (3,7/4,6)	.142/.146 (3,6/3,7)	.135 (3,4)	.240 (6,1)	.063 (1,6)	.252 (6,4)	4

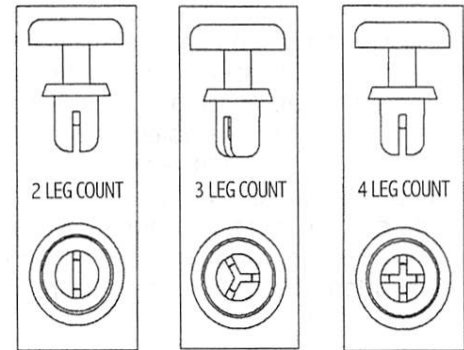
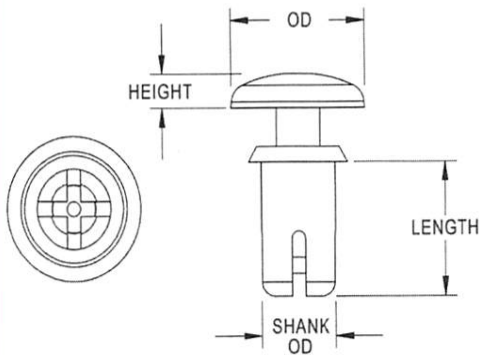
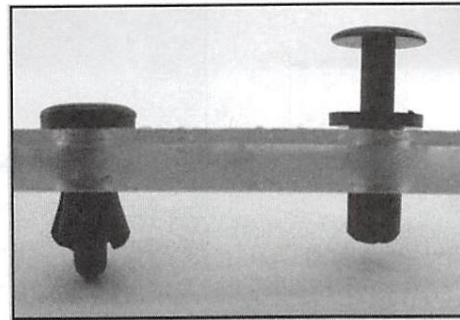
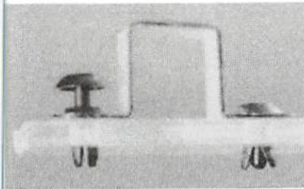


PANEL FASTENERS AND HOLE PLUGS

SECTION
VI

SNAP RIVETS

Molded in **Black Nylon 6/6**



ITEM NUMBER	PANEL THICKNESS	HOLE SIZE RND	SHANK OD	LENGTH	HEIGHT	OD	LEG COUNT
27SR138280	.177/.217 (4,5/5,5)	.142/.146 (3,6/3,7)	.135 (3,4)	.280 (7,1)	.063 (1,6)	.252 (6,4)	4
27SR138310	.217/.256 (5,5/6,5)	.142/.146 (3,6/3,7)	.135 (3,4)	.310 (7,9)	.063 (1,6)	.252 (6,4)	4
27SR0018	.100/.140 (2,5/3,5)	.160/.164 (4,0/4,1)	.155 (3,9)	.200 (5,0)	.082 (2,0)	.316 (8,0)	2
27SR0020	.144/.188 (3,5/4,5)	.160/.164 (4,0/4,1)	.155 (3,9)	.240 (6,0)	.078 (1,9)	.317 (8,0)	2
27SR157475	.335/.408 (8,5/10,4)	.161/.165 (4,1/4,2)	.156 (4,0)	.475 (12,1)	.071 (1,8)	.315 (8,0)	4
27SR1660240	.050/.180 (1,2/4,5)	.162/.166 (4,1/4,2)	.157 (4,0)	.236 (5,9)	.081 (2,0)	.375 (9,5)	2
27SR157275	.175/.215 (4,5/5,5)	.162/.166 (4,1/4,2)	.157 (4,0)	.284 (7,2)	.084 (2,1)	.318 (8,0)	4
27SR157315	.148/.188 (3,8/4,8)	.162/.166 (4,1/4,2)	.157 (4,0)	.315 (8,0)	.083 (2,1)	.315 (8,0)	4
27SR157350	.256/.295 (6,5/7,5)	.161/.165 (4,1/4,2)	.157 (4,0)	.350 (8,9)	.071 (1,8)	.317 (8,1)	4
27SR157390	.295/.335 (7,5/8,5)	.161/.165 (4,1/4,2)	.157 (4,0)	.390 (9,9)	.071 (1,8)	.317 (8,7)	4
27SR157290	.290/.330 (7,4/8,4)	.162/.166 (4,1/4,2)	.157 (4,0)	.395 (10,0)	.083 (2,1)	.317 (8,0)	4
27SR160475	.354/.413 (8,9/10,4)	.161/.165 (4,1/4,2)	.157 (4,0)	.470 (11,9)	.071 (1,8)	.317 (8,7)	4
27SR1600315	.100/.250 (2,5/6,4)	.165/.169 (4,2/4,3)	.160 (4,0)	.315 (8,0)	.034 (0,8)	.278 (7,0)	4
27SR1660400	.250/.265 (6,3/6,7)	.170 (4,3)	.165 (4,2)	.410 (10,4)	.079 (2,0)	.370 (9,4)	4
27SR1660265	.170/.210 (4,3/5,3)	.171/.175 (4,3/4,4)	.166 (4,2)	.265 (6,7)	.084 (2,1)	.315 (8,0)	2
27SR180530	.250/.437 (6,3/11,1)	.187/.191 (4,7/4,8)	.182 (4,6)	.530 (13,4)	.098 (2,4)	.356 (9,0)	4
27SR197180	.059/.098 (1,5/2,5)	.201/.205 (5,1/5,2)	.195 (4,9)	.180 (4,5)	.087 (2,2)	.350 (8,9)	4
27SR197220	.098/.138 (2,5/3,5)	.201/.205 (5,1/5,2)	.195 (4,9)	.220 (5,6)	.087 (2,2)	.350 (8,9)	4
27SR197260	.105/.170 (2,7/4,3)	.201/.205 (5,1/5,2)	.195 (4,9)	.260 (6,6)	.087 (2,2)	.350 (8,9)	4
27SR200330	.138/.177 (3,5/4,5)	.201/.205 (5,1/5,2)	.195 (4,9)	.330 (8,4)	.087 (2,2)	.350 (8,9)	4
27SR197410	.295/.335 (7,5/8,5)	.201/.205 (5,1/5,2)	.195 (4,9)	.410 (10,4)	.087 (2,2)	.350 (8,9)	4
27SR1970330	.217/.256 (5,5/6,5)	.202/.206 (5,1/5,2)	.197 (5,0)	.330 (8,4)	.085 (2,1)	.356 (9,0)	4
27SR2000370	.230/.300 (5,8/7,6)	.203/.207 (5,1/5,2)	.198 (5,0)	.368 (9,4)	.095 (2,4)	.352 (8,9)	4
27SR0030	.160/.200 (4,0/5,0)	.205/.209 (5,2/5,3)	.200 (5,0)	.280 (7,0)	.064 (1,9)	.350 (8,0)	4
27SR236240	.098/.157 (2,4/4,0)	.240/.244 (6,1/6,2)	.236 (5,9)	.240 (6,1)	.098 (2,4)	.475 (12,1)	4
27SR236310	.138/.217 (3,5/5,5)	.240/.244 (6,1/6,2)	.236 (6,0)	.310 (7,9)	.118 (3,0)	.472 (12,0)	4
27SR2400187	.031/.062 (0,7/1,5)	.248/.252 (6,3/6,4)	.240 (6,1)	.187 (5,0)	.120 (3,0)	.440 (11,1)	4
27SR2400250	.062/.125 (1,5/3,1)	.248/.252 (6,3/6,4)	.240 (6,1)	.250 (6,3)	.120 (3,0)	.440 (11,1)	4
27SR2400312	.125/.187 (3,1/4,7)	.248/.252 (6,3/6,4)	.240 (6,1)	.312 (7,9)	.120 (3,0)	.440 (11,1)	4
27SR2400375	.187/.250 (4,7/6,3)	.248/.252 (6,3/6,4)	.240 (6,1)	.375 (9,5)	.120 (3,0)	.440 (11,1)	4
27SR2400500	.250/.375 (6,3/9,5)	.248/.252 (6,3/6,4)	.240 (6,1)	.500 (12,7)	.120 (3,0)	.440 (11,1)	4



Get quote »

Angic Global Solutions

1-888-872-0690

TELEPHONE: (870)

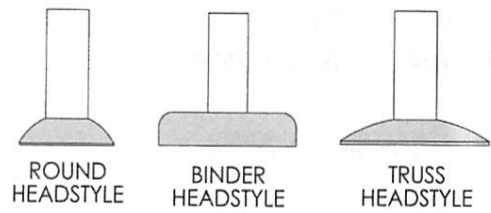
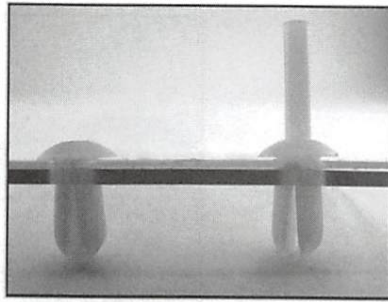
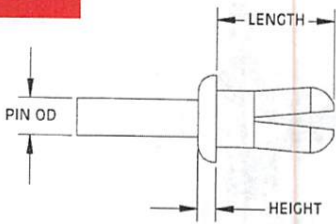
oplastics.com • W

<https://www.AngicGlobal.com> Sales@AngicGlobal.com

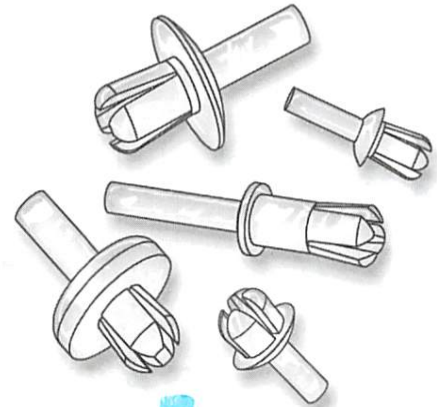
INC. 151

PANEL FASTENERS AND HOLE PLUGS

SECTION VI



Micro Plastics' Poly Rivets are one-piece nylon blind rivets that offer a fast economical, permanent, fastener that can be used in a wide variety of materials including sheet metal, plastic sheets, fiberglass, P.C. boards and composites. Fast, easy installation can be made without tools from one side of the work piece. The rivet is inserted in a pre-punched hole and the drive pin is forced into the specially designed legs, with a drive rivet tool, which expand and securely locks the assembled components in place. The versatile Poly Rivet provides a secure joint even under extreme vibration conditions while it electrically insulates and resists corrosion and cathodic transfer. The following are some of the more common sizes available. Because of Micro Plastics' unique tooling approach, designs can be varied over a wide range: diameter, head style and lengths can be adjusted to meet your requirements. Let us know what you need.



POLY DRIVE RIVETS

Molded in **Natural Nylon 6/6**

PART NUMBER	HOLE SIZE RND	PANEL THICKNESS	HEAD	OD	HEIGHT	LENGTH	PIN OD
61PR100000	.218 (5,54)	.093/.350 (2,36/9,53)	Round	.380 (9,65)	.080 (2,03)	.450 (11,43)	.120 (3,05)
61PR100100	.156 (3,96)	.187/.250 (4,75/6,35)	Binder	.218 (5,54)	.050 (1,27)	.312 (7,92)	.093 (2,36)
61PR100200	.218 (5,54)	.094/.312 (2,39/7,92)	Binder	.437 (11,10)	.100 (2,54)	.464 (11,79)	.125 (3,18)
61PR100300	.156 (3,96)	.218/.312 (5,54/7,92)	Binder	.218 (5,54)	.050 (1,27)	.359 (9,12)	.093 (2,36)
61PR100400	.187 (4,75)	.062/.187 (1,57/4,75)	Truss	.281 (7,14)	.050 (1,27)	.296 (7,52)	.125 (3,18)
61PR100500	.226 (5,74)	.125/.312 (3,18/7,92)	Truss	.376 (9,55)	.080 (2,03)	.467 (11,86)	.120 (3,05)
61PR100800	.156 (3,96)	.218/.383 (5,54/9,73)	Binder	.218 (5,54)	.050 (1,27)	.421 (10,69)	.093 (2,36)
61PR200000	.187 (4,75)	.156/.281 (3,96/7,14)	Truss	.435 (11,05)	.075 (1,91)	.380 (9,65)	.125 (3,18)
61PR200100	.187 (4,75)	.062/.125 (1,57/3,18)	Binder	.430 (10,92)	.120 (3,05)	.216 (5,49)	.125 (3,18)
61PR200200	.187 (4,75)	.125/.187 (3,18/4,75)	Truss	.435 (11,05)	.075 (1,91)	.281 (7,14)	.125 (3,18)
61PR200300	.187 (4,75)	.062/.187 (1,57/4,75)	Truss	.435 (11,05)	.075 (1,91)	.285 (7,24)	.125 (3,18)
61PR200800	.187 (4,75)	.031/.200 (0,79/5,08)	Round	.275 (6,98)	.075 (1,91)	.295 (7,49)	.125 (3,18)
61PR300000	.187 (4,75)	.312/.440 (7,92/11,18)	Binder	.281 (7,14)	.075 (1,91)	.535 (13,59)	.125 (3,18)
61PR300100	.187 (4,75)	.062/.187 (1,57/4,75)	Round	.281 (7,14)	.075 (1,91)	.295 (7,49)	.125 (3,18)
61PR300200	.187 (4,75)	.062/.125 (1,57/3,18)	Round	.281 (7,14)	.075 (1,91)	.230 (5,84)	.125 (3,18)
61PR300300	.187 (4,75)	.078/.375 (1,98/9,53)	Round	.281 (7,14)	.047 (1,19)	.450 (11,43)	.125 (3,18)
61PR300400	.187 (4,75)	.312/.440 (7,92/11,18)	Round	.320 (8,13)	.109 (2,77)	.535 (13,59)	.125 (3,18)
61PR300500	.187 (4,75)	.375/.500 (9,53/12,70)	Binder	.281 (7,14)	.080 (2,03)	.625 (15,88)	.125 (3,18)
61PR300600	.187 (4,75)	.078/.375 (1,98/9,50)	Round	.320 (8,13)	.109 (2,77)	.455 (11,56)	.125 (3,18)
61PR300700	.187 (4,75)	.375/.500 (9,53/12,70)	Round	.320 (8,13)	.109 (2,77)	.609 (15,47)	.125 (3,18)
* 61PR300800	.187 (4,75)	.375/.750 (9,53/19,05)	Binder	.320 (8,13)	.115 (2,92)	.850 (21,59)	.125 (3,18)
61PR300900	.275 (6,99)	.062/.600 (1,57/15,24)	Round	.370 (9,40)	.080 (2,03)	.640 (16,26)	.150 (3,81)
61PR400000	.250 (6,35)	.350/.500 (8,89/12,70)	Binder	.468 (11,89)	.080 (2,03)	.620 (15,75)	.150 (3,81)
61PR400100	.250 (6,35)	.350/.500 (8,89/12,70)	Round	.370 (9,40)	.080 (2,03)	.620 (15,75)	.150 (3,81)
61PR400200	.250 (6,35)	.156/.330 (3,96/8,38)	Binder	.468 (11,89)	.080 (2,03)	.375 (9,53)	.155 (3,94)
61PR400300	.250 (6,35)	.093/.312 (2,36/7,92)	Binder	.468 (11,89)	.080 (2,03)	.500 (12,70)	.150 (3,81)
61PR400600	.187 (4,75)	.078/.375 (1,98/9,53)	Binder	.312 (7,92)	.062 (1,57)	.445 (11,30)	.125 (3,18)
61PR400700	.245 (6,22)	.140/.550 (3,56/13,99)	Round	.375 (9,53)	.100 (2,54)	.625 (15,88)	.150 (3,81)
61PR400800	.250 (6,35)	.125/.437 (3,18/11,10)	Binder	.468 (11,89)	.080 (2,03)	.585 (14,86)	.150 (3,81)

*61PR300800 WILL NOT WORK WITH DRIVE RIVET INSERTION TOOLS.



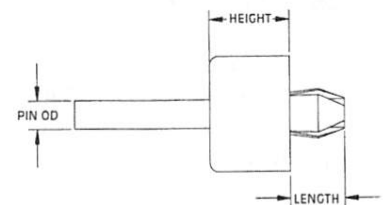
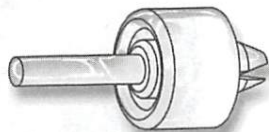
PANEL FASTENERS AND HOLE PLUGS

SECTION VI

POLY DRIVE RIVETS

Molded in Natural Nylon 6/6

PART NUMBER	HOLE SIZE RND	PANEL THICKNESS	HEAD	OD	HEIGHT	LENGTH	PIN OD
61PR400900	.250 (6,35)	.078/.275 (1,98/6,99)	Button	.494 (12,55)	.305 (7,75)	.375 (9,53)	.155 (3,94)
61PR500500	.227 (5,77)	.031/.062 (0,79/1,57)	Button	.375 (9,53)	.223 (5,66)	.170 (4,32)	.125 (3,18)
61PR600000	.182 (4,62)	.130/.290 (3,30/7,37)	Truss	.280 (7,11)	.050 (1,27)	.380 (9,65)	.120 (3,05)
61PR600100	.160 (4,06)	.062/.180 (1,57/4,57)	Round	.295 (7,49)	.050 (1,27)	.230 (5,84)	.093 (2,36)
61PR700100	.187 (4,75)	.156/.281 (3,96/7,14)	Truss	.437 (11,10)	.075 (1,91)	.380 (9,65)	.125 (3,18)
61PR700200	.187 (4,75)	.062/.187 (1,57/4,75)	Truss	.437 (11,10)	.075 (1,91)	.295 (7,49)	.125 (3,18)
61PR700300	.226 (5,74)	.125/.312 (3,18/7,92)	Truss	.437 (11,10)	.075 (1,91)	.468 (11,43)	.125 (3,18)
61PR700900	.250 (6,35)	.062/.125 (1,57/3,18)	Round	.370 (9,40)	.080 (2,03)	.218 (5,54)	.125 (3,18)
61PR800000	.250 (6,35)	.093/.312 (2,36/7,92)	Truss	.468 (11,89)	.080 (2,03)	.500 (12,70)	.150 (3,81)
61PR800100	.250 (6,35)	.281/.500 (7,14/12,70)	Truss	.468 (11,89)	.080 (2,03)	.620 (15,75)	.150 (3,81)
61PR800300	.250 (6,35)	.109/.156 (2,77/3,96)	Round	1/2 (12,70)	5/16 (7,94)	3/8 (9,53)	.155 (3,94)
61PR900000	.125 (3,18)	.031/.140 (0,79/3,56)	Round	.187 (4,75)	.047 (1,19)	.190 (4,83)	.075 (1,91)
61PR900100	.130 (3,30)	.031/.140 (0,79/3,56)	Round	.218 (5,54)	.060 (1,52)	.225 (5,72)	.075 (1,91)
61PR010000	.218 (5,54)	.187/.250 (4,75/6,35)	Truss	.375 (9,53)	.080 (2,03)	.343 (8,71)	.120 (3,05)
61PR010100	.275 (6,99)	.093/.350 (2,36/8,89)	Binder	.620 (15,75)	.109 (2,77)	.480 (12,19)	.150 (3,81)
61PR010200	.280 (7,11)	.062/.350 (1,57/8,89)	Truss	.485 (12,32)	.075 (1,91)	.468 (11,89)	.187 (4,75)
61PR010300	.250 (6,35)	.093/.312 (2,36/7,92)	Binder	.625 (15,88)	.109 (2,77)	.485 (12,31)	.150 (3,81)
61PR010400	.250 (6,35)	.281/.500 (7,14/12,70)	Binder	.615 (15,62)	.109 (2,77)	.620 (15,75)	.150 (3,81)
61PR010500	.290 (7,37)	.093/.187 (2,37/4,75)	Binder	.620 (15,75)	.109 (2,77)	.300 (7,62)	.150 (3,81)
61PR010600	.160 (4,06)	.218/.312 (5,54/7,92)	Binder	.375 (9,53)	.050 (1,27)	.355 (8,89)	.093 (2,36)
61PR010110	.226 (5,74)	.125/.312 (3,18/7,92)	Round	.375 (9,53)	.080 (2,03)	.468 (11,43)	.120 (3,05)
61PR010210	.187 (4,75)	.062/.187 (1,57/4,75)	Round	.375 (9,53)	.080 (2,03)	.295 (7,49)	.125 (3,18)
61PR010310	.187 (4,75)	.156/.281 (3,96/7,14)	Round	.375 (9,53)	.080 (2,03)	.380 (9,65)	.125 (3,18)
61PR010410	.187 (4,75)	.062/.187 (1,57/4,75)	Round	.375 (9,53)	.080 (2,03)	.281 (7,14)	.125 (3,18)
61PR010510	.215 (5,46)	.078/.300 (1,98/7,62)	Truss	.630 (16,00)	.080 (2,03)	.415 (10,54)	.120 (3,05)

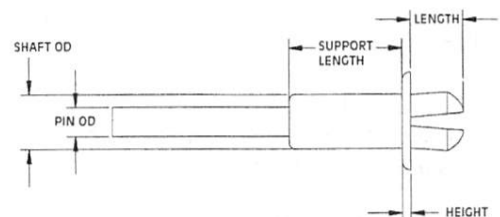
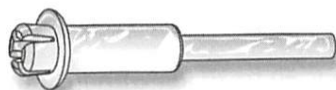


POLY DRIVE RIVET MOUNTING FEET

Molded in Natural Nylon 6/6

PART NUMBER	HOLE SIZE RND	PANEL THICKNESS	HEAD	OD	HEIGHT	LENGTH	PIN OD
61PMF10000*	.280 (7,11)	.061/.187 (1,55/4,75)	Foot	.760 (19,30)	.570 (14,48)	.385 (9,78)	.187 (4,75)
61PSS40000	.250 (6,35)	.030/.125 (0,76/3,18)	Foot	.375 (9,53)	.500 (12,70)	.238 (6,05)	.150 (3,81)

* Low Density Polyethylene Material.



POLY DRIVE RIVET SUPPORTS

Molded in Natural Nylon 6/6

PART NUMBER	HOLE SIZE RND	PANEL THICKNESS	HEAD	OD	HEIGHT	LENGTH	PIN OD	SUPPORT LENGTH	SHAFT OD
61PSS10000	.187 (4,75)	.030/.125 (0,76/3,18)	Support	.325 (8,26)	.030 (0,76)	.200 (5,08)	.097 (2,46)	.400 (10,16)	.180 (4,57)
61PSS20000	.250 (6,35)	.030/.125 (0,76/3,18)	Support	13/32 (10,31)	.047 (1,19)	.187 (4,75)	.125 (3,18)	.703 (17,86)	.240 (6,10)



Get quote »

Angic Global Solutions

1-888-872-0690

PANEL FASTENERS AND HOLE PLUGS

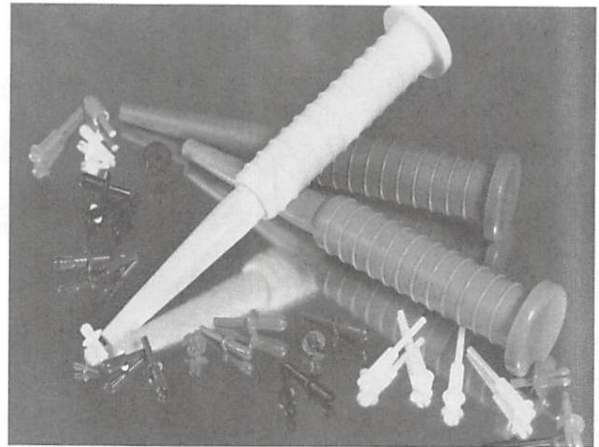
SECTION
VI

DRIVE RIVET INSERTION TOOLS

Micro Plastics' tough, lightweight drive rivet insertion tool makes the assembly of our polyrivets even more economical. This tool provides a faster assembly, more accurate placement and positions in hard to reach areas. Large plunger head and easy-grip handle reduce operator fatigue. Rivets do not have to be predriven. In use, the rivet is loaded in tool and inserted in prepared hole, pressure on the plunger frees the pin and expands the rivet in the assembly. Three sizes are available to cover all standard drive rivets.

- **TOOLS ARE COLOR CODED FOR IDENTIFICATION**

ITEM NUMBER	PIN OD	COLOR
61PRT0075	.075 (1,91)	RED
61PRT0093	.093 (2,36)	BLACK
61PRT0125	.125 (3,18)	YELLOW
61PRT0150	.150 (3,81)	GREEN



PNEUMATIC DRIVE RIVET INSERTION TOOL

- **BOOST PRODUCTIVITY**
- **IMPROVE QUALITY**

The Pneumatic Drive Rivet Tool is especially suited for hard to reach or delicate assemblies encountered on all kinds of mechanical and electrical components, appliances, P.C. board assemblies, relays, switches, controls, etc.

The durable, lightweight alloy insert tool weighs only 22 ounces and features an easy-grip, non-slip, straight case for single hand fatigue free operation and is equipped with a suspension bail for overhead connections on bench type precision assemblies. The insert tool can be safely used in all positions.

In operation the rivet is loaded in the tool and inserted in the prepared hole, slight pressure activates the pneumatic switch and the rivet is driven into the assembly effortlessly.
RIVETS NEED NOT BE PREDRIVEN.

Tool is designed to use standard shop air, operating pressure range is 50 to 70 PSI with instant cycling time. One tool will drive all standard rivet sizes, three interchangeable driver attachments are included. Mandrel sizes are .075, .125 and .150

UNIQUE, PRECISION TOOL DESIGNED TO EFFICIENTLY ASSEMBLE ALL NYLON DRIVE RIVETS AND MOST ONE-PIECE METAL EXPANSION RIVETS.



COVERED BY U.S. / FOREIGN PATENTS

ITEM NUMBER	DESCRIPTION
61PPRT100	PNEUMATIC RIVET INSERT TOOL (WITH 3 DRIVER ATTACHMENTS)

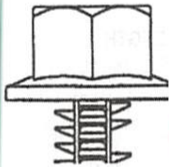
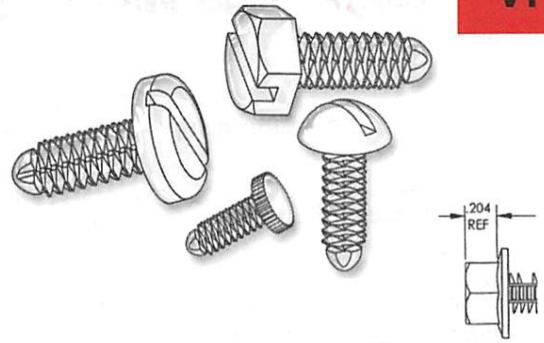
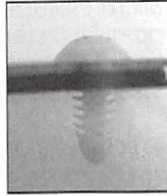
PANEL FASTENERS AND HOLE PLUGS

SECTION
VI

SPIN CLIPS

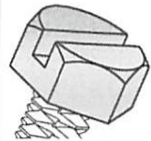
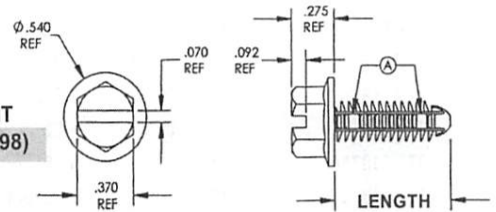
Molded in **Natural Nylon 6/6**

This design combines the advantages of a push-in type fastener with a screw. For fast assembly, the part can be pushed into a 1/4-20 threaded hole, and then screwed in for a tighter fit, or screwed out for disassembly. This part will also function as a standard Fin Clip for use in a unthreaded hole with a diameter of approximately 13/64"



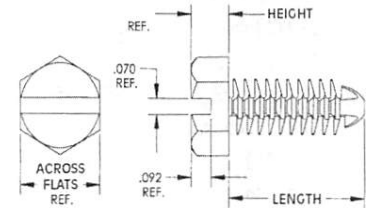
Slotted **HEX FLANGE**

PART NUMBER	SCREW SIZE	LENGTH	HOLE SIZE RND	ACROSS FLATS	HEIGHT
27SC2520HW075	1/4	3/4"	.203 (5,16)	.370 (3,48)	.275 (6,98)



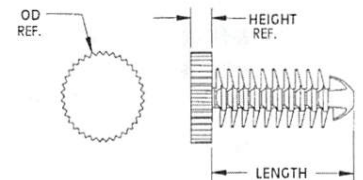
Slotted **HEX**

PART NUMBER	SCREW SIZE	LENGTH	HOLE SIZE RND	ACROSS FLATS	HEIGHT
27SC2520H037	1/4	3/8"	.203 (5,16)	.370 (3,48)	.175 (4,45)
27SC2520H050	1/4	1/2"	.203 (5,16)	.370 (3,48)	.175 (4,45)
27SC2520H062	1/4	5/8"	.203 (5,16)	.370 (3,48)	.175 (4,45)
27SC2520H075	1/4	3/4"	.203 (5,16)	.370 (3,48)	.175 (4,45)
27SC2520H100	1/4	1"	.203 (5,16)	.370 (3,48)	.175 (4,45)



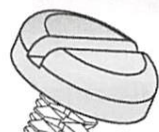
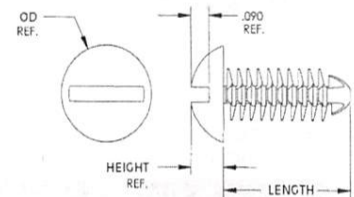
Unslotted **KNURLED**

PART NUMBER	SCREW SIZE	LENGTH	HOLE SIZE RND	OD	HEIGHT
27SC2520K037	1/4	3/8"	.203 (5,16)	.375 (9,53)	.093 (2,36)
27SC2520K050	1/4	1/2"	.203 (5,16)	.375 (9,53)	.093 (2,36)
27SC2520K062	1/4	5/8"	.203 (5,16)	.375 (9,53)	.093 (2,36)
27SC2520K075	1/4	3/4"	.203 (5,16)	.375 (9,53)	.093 (2,36)
27SC2520K100	1/4	1"	.203 (5,16)	.375 (9,53)	.093 (2,36)



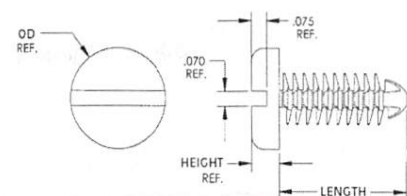
Slotted **ROUND**

PART NUMBER	SCREW SIZE	LENGTH	HOLE SIZE RND	OD	HEIGHT
27SC2520R037	1/4	3/8"	.203 (5,16)	.450 (11,43)	.160 (4,06)
27SC2520R050	1/4	1/2"	.203 (5,16)	.450 (11,43)	.160 (4,06)
27SC2520R062	1/4	5/8"	.203 (5,16)	.450 (11,43)	.160 (4,06)
27SC2520R075	1/4	3/4"	.203 (5,16)	.450 (11,43)	.160 (4,06)
27SC2520R100	1/4	1"	.203 (5,16)	.450 (11,43)	.160 (4,06)



Slotted **PAN**

PART NUMBER	SCREW SIZE	LENGTH	HOLE SIZE RND	OD	HEIGHT
27SC2520P037	1/4	3/8"	.203 (5,16)	.475 (12,07)	.137 (3,47)
27SC2520P050	1/4	1/2"	.203 (5,16)	.475 (12,07)	.137 (3,47)
27SC2520P062	1/4	5/8"	.203 (5,16)	.475 (12,07)	.137 (3,47)
27SC2520P075	1/4	3/4"	.203 (5,16)	.475 (12,07)	.137 (3,47)
27SC2520P100	1/4	1"	.203 (5,16)	.475 (12,07)	.137 (3,47)



Get quote »

roplastics.com • V

Angic Global Solutions

1-888-872-0690

<https://www.AngicGlobal.com> Sales@AngicGlobal.com

INC. 155

PANEL FASTENERS AND HOLE PLUGS

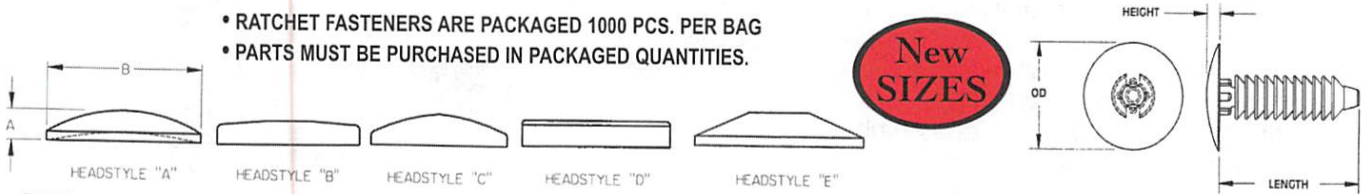
SECTION VI

RATCHET FASTENERS

Molded in **BLACK** Nylon 6/6

Micro Plastics' Ratchet Fasteners are designed to provide an economical fastening method over a wide range of panel thicknesses and materials. The installation assures a quick assembly and a strong and reliable finished product.

- RATCHET FASTENERS ARE PACKAGED 1000 PCS. PER BAG
- PARTS MUST BE PURCHASED IN PACKAGED QUANTITIES.



PART NUMBER	HOLE SIZE RND.	PANEL THICKNESS	HEADSTYLE	OD	HEIGHT	LENGTH
27RT1560432	.156 (3,96)	.030/.234 (0,76/5,94)	A	.360 (9,14)	.060 (1,52)	.432 (10,97)
27RT160400	.160 (4,06)	.040/.250 (1,01/6,35)	B	.359 (9,11)	.060 (1,52)	.426 (10,82)
27RT187310	.187 (4,75)	.030/.150 (0,76/3,81)	B	.445 (11,30)	.068 (1,73)	.300 (7,62)
27RT187470	.187 (4,75)	.030/.330 (0,76/8,38)	B	.442 (11,22)	.068 (1,73)	.470 (11,93)
27RT187675	.187 (4,75)	.030/.512 (0,76/13,00)	B	7/16 (11,11)	.070 (1,78)	.680 (17,27)
27RT187500	.187 (4,75)	.025/.365 (0,64/9,27)	A	.375 (9,53)	.070 (1,78)	.500 (12,70)
27RT187550	.187 (4,75)	.030/.330 (0,76/8,38)	B	.442 (11,22)	.068 (1,73)	.562 (14,27)
27RT187640	.187 (4,75)	.125/.365 (3,18/9,27)	D	7/16 (11,11)	.070 (1,78)	.640 (16,26)
27RT187680	.187 (4,75)	.030/.512 (0,76/13,00)	D	.492 (12,50)	.067 (1,70)	.680 (17,27)
*27RT187700PPB	.187 (4,75)	.125/.450 (3,18/11,43)	C	.300 (7,22)	.065 (1,65)	.700 (17,78)
27RT218774	.218 (5,53)	.060/.560 (1,52/14,22)	A	.650 (16,51)	.090 (2,28)	.774 (19,65)
27RT2811220	.281 (7,13)	.078/1.000 (1,98/25,4)	D	.490 (12,44)	.093 (2,36)	1.220 (30,98)
27RT250425	.250 (6,35)	.020/.218 (0,50/5,53)	A	.720 (18,29)	.098 (2,48)	.425 (10,80)
27RT250425A	.250 (6,35)	.020/.218 (0,50/5,53)	A	.433 (11,00)	.039 (0,99)	.425 (10,80)
27RT250440	.250 (6,35)	.105/.300 (2,67/7,62)	A Textured Head	.700 (17,78)	.100 (2,54)	.437 (11,10)
27RT250625	.250 (6,35)	.120/.140 (3,04/3,55)	A	.503 (12,77)	.050 (1,27)	.628 (15,95)
27RT250800	.250 (6,35)	.150/.535 (3,81/13,59)	A	.700 (17,78)	.095 (2,54)	.800 (20,32)
27RT250810	.250 (6,35)	.150/.535 (3,81/13,59)	A	.495 (12,57)	.074 (1,88)	.783 (19,89)
27RT250900	.250 (6,35)	.062/.480 (1,57/12,19)	D	.492 (12,50)	.067 (1,70)	.787 (19,99)
27RT281975	.281 (7,13)	.170/.770 (4,32/19,56)	A	.695 (17,65)	.090 (2,29)	.975 (24,77)
27RT2811000	.281 (7,13)	.084/.500 (2,13/12,70)	E	.625 (15,87)	.110 (2,79)	.890 (22,61)
27RT3121516	.312 (7,92)	.084/1.125 (2,13/28,57)	E	.619 (15,72)	.114 (2,89)	1.507 (38,27)
27RT406820	.406 (10,31)	.115/.565 (2,92/14,35)	A	1.000 (25,4)	.080 (2,03)	.820 (20,82)

* PART MOLDED IN BLACK POLYPROPYLENE * BULK PACKAGING

SPECIAL ITEM XMAS TREE TYPE CLIPS

Molded in **Black** Nylon 6/6

Hole Size .250 (6,35)
Panel Thickness .078/1.000 (1,98/25,4)

PART NUMBER 27XTS2501430

Hole Size .295 (7,49)
Panel Thickness .094/.393 (2,38/9,98)

PART NUMBER 27XTS1870670

Hole Size .187 (4,74)
Panel Thickness .156/1.125 (3,96/28,5)

PART NUMBER 27XTS1871360

Hole Size .219 (5,56)
Panel Thickness .063/.252 (1,60/6,40)

PART NUMBER 27XTS1970437



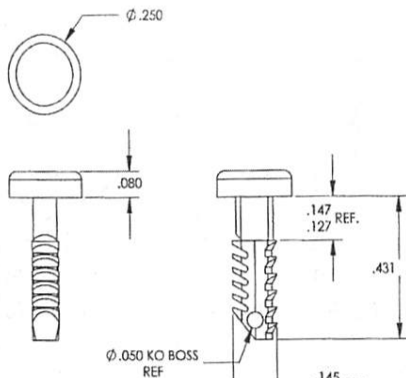
PANEL FASTENERS AND HOLE PLUGS

SECTION
VI

SPECIAL ITEM XMAS TREE TYPE CLIPS

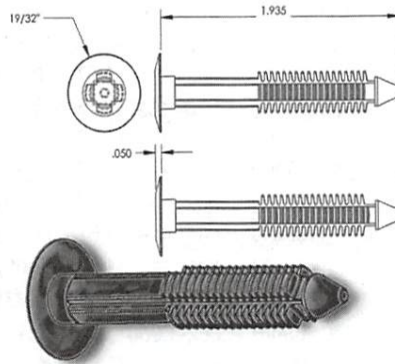
Molded in **BLACK Nylon 6/6**

Micro Plastics Special Item xmas tree type clips are molded in corrosion, abrasion, and vibration resistant Nylon 6/6. Parts fit a variety of hole sizes and panel thicknesses. Clips can be used in blind hole applications.



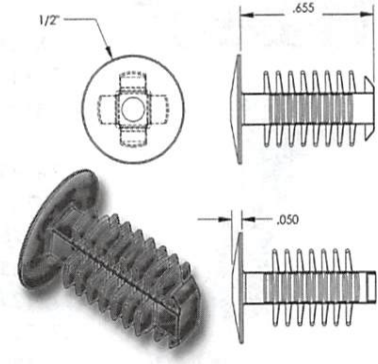
Hole Size .120/.130 (3,04/3,30)
Panel Thickness .135/.354 (3,42/8,99)

PART NUMBER 27XTS1250440



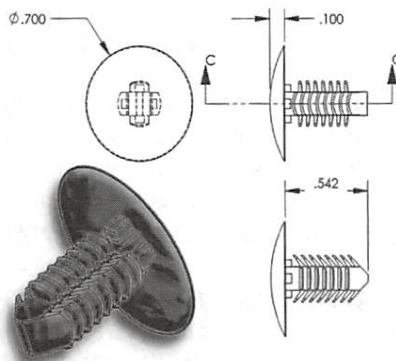
Hole Size .281 (7,14)
Panel Thickness .810/1.580 (20,57/40,13)

PART NUMBER 27XTS2812020



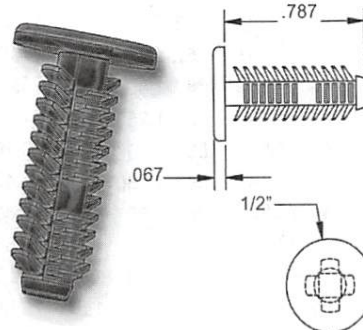
Hole Size .320 (8,13)
Panel Thickness .120/.500 (3,05/12,70)

PART NUMBER 27XTS3170660



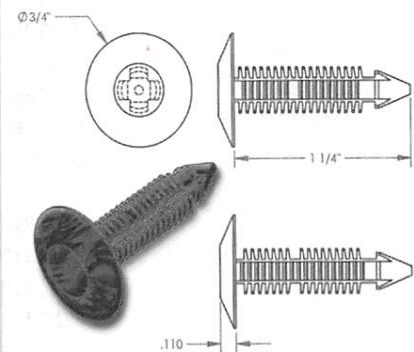
Hole Size .245/.255 (6,22/6,48)
Panel Thickness .070/.400 (1,78/10,16)

PART NUMBER 27XTS2500561



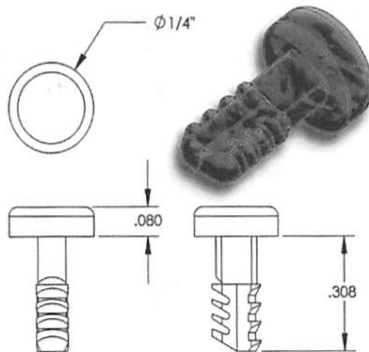
Hole Size .250 (6,35)
Panel Thickness .125/.687 (3,18/17,45)

PART NUMBER 27XTS2500787



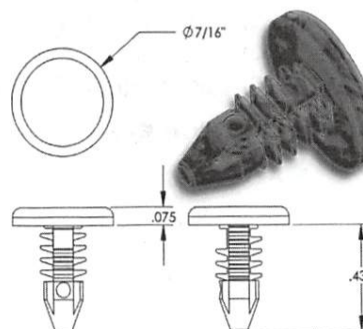
Hole Size .250 (6,35)
Panel Thickness .050/.875 (1,27/22,23)

PART NUMBER 27XTS2501250



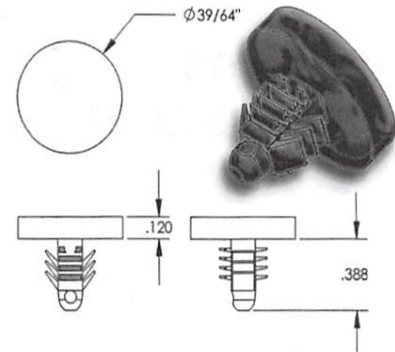
Hole Size .120/.130 (3,05/3,30)
Panel Thickness .135/.250 (3,43/6,35)

PART NUMBER 27XTS1250308



Hole Size .182/.192 (4,62/4,88)
Panel Thickness .035/.210 (0,89/5,33)

PART NUMBER 27XTS1870442



Hole Size .240/.260 (6,10/6,60)
Panel Thickness .075/.185 (1,91/4,70)

PART NUMBER 27XTS2500394



Get quote >>

Angic Global Solutions

1-888-872-0690

TELEPHONE: (87

croplastics.com •

<https://www.AngicGlobal.com> Sales@AngicGlobal.com® INC. 157

PANEL FASTENERS AND HOLE PLUGS

SECTION VI

STANDARD XMAS TREE TYPE CLIPS

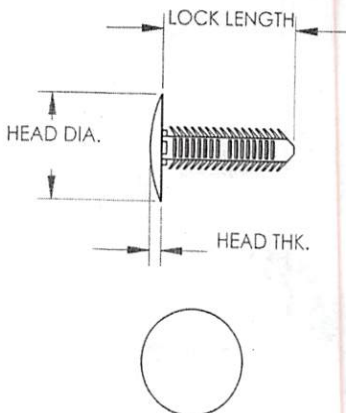
Molded in **Black Nylon 6/6**

METRIC Sizes
Also Available

Page 283



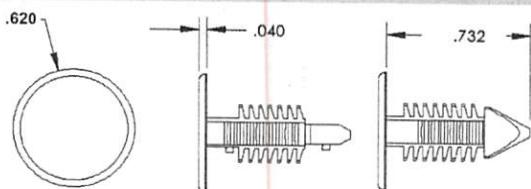
New SIZES



PART NUMBER	HOLE SIZE	PANEL THICKNESS RANGE	HEAD DIAMETER	HEAD THICKNESS	LOCK LENGTH
27XT1250125	.125 (3,18)	.062-.125 (1,57 - 3,18)	.344 (8,74)	.062 (1,57)	.208 (5,28)
27XT1250250	.125 (3,18)	.062-.250 (1,57 - 6,35)	.344 (8,74)	.062 (1,57)	.321 (8,15)
27XT1250375	.125 (3,18)	.062-.375 (1,57 - 9,53)	.344 (8,74)	.062 (1,57)	.458 (11,63)
27XT1880250	.188 (4,78)	.062-.250 (1,57 - 6,35)	.500 (12,70)	.078 (1,98)	.348 (8,84)
27XT1880375	.188 (4,78)	.062-.375 (1,57 - 9,53)	1/2 (12,70)	.078 (1,98)	.473 (12,01)
27XT1880500	.188 (4,78)	.062-.500 (1,57 - 12,70)	1/2 (12,70)	.078 (1,98)	.598 (15,19)
27XT1880625	.188 (4,78)	.062-.625 (1,57 - 15,88)	.500 (12,70)	.078 (1,98)	.723 (18,36)
27XT1880750	.188 (4,78)	.062-.750 (1,57 - 19,05)	1/2 (12,70)	.078 (1,98)	.848 (21,54)
27XT2030375	.203 (5,16)	.070-.250 (1,78 - 6,35)	.625 (15,88)	.100 (2,54)	.375 (9,53)
27XT2500250	.250 (6,35)	.062-.250 (1,57 - 6,35)	.700 (17,78)	.100 (2,54)	.391 (9,93)
27XT2500375	.250 (6,35)	.062-.375 (1,57 - 9,53)	.700 (17,78)	.100 (2,54)	.506 (12,85)
27XT2500500	.250 (6,35)	.062-.500 (1,57 - 12,70)	.700 (17,78)	.100 (2,54)	.630 (16,00)
27XT2500625	.250 (6,35)	.062-.625 (1,57 - 15,88)	.700 (17,78)	.100 (2,54)	.755 (19,18)
27XT2500750	.250 (6,35)	.062-.750 (1,57 - 19,05)	.700 (17,78)	.100 (2,54)	.880 (22,35)
27XT2500875	.250 (6,35)	.062-.875 (1,57 - 22,23)	.700 (17,78)	.100 (2,54)	1.004 (25,50)
27XT2501000	.250 (6,35)	.062-1.000 (1,57 - 25,40)	.700 (17,78)	.100 (2,54)	1.120 (28,45)
27XT2501250	.250 (6,35)	.062-1.250 (1,57 - 31,75)	.700 (17,78)	.100 (2,54)	1.380 (35,05)
27XT2501500	.250 (6,35)	.062-1.500 (1,57 - 38,10)	.700 (17,78)	.100 (2,54)	1.632 (41,45)
27XT2501750	.250 (6,35)	.062-1.750 (1,57 - 44,45)	.700 (17,78)	.100 (2,54)	1.882 (47,80)
27XT2502000	.250 (6,35)	.062-2.000 (1,57 - 50,80)	.700 (17,78)	.100 (2,54)	2.132 (54,15)
27XT2810250	.281 (7,14)	.062-.250 (1,57 - 6,35)	.790 (20,07)	.100 (2,54)	.384 (9,75)
27XT2810375	.281 (7,14)	.062-.375 (1,57 - 9,53)	.787 (19,99)	.100 (2,54)	.515 (13,08)
27XT2810500	.281 (7,14)	.062-.500 (1,57 - 12,70)	.787 (19,99)	.100 (2,54)	.642 (16,31)
27XT2810625	.281 (7,14)	.062-.625 (1,57 - 15,88)	.787 (19,99)	.100 (2,54)	.767 (19,48)
27XT2810750	.281 (7,14)	.062-.750 (1,57 - 19,05)	.787 (19,99)	.100 (2,54)	.894 (22,71)
27XT2810875	.281 (7,14)	.062-.875 (1,57 - 22,23)	.787 (19,99)	.100 (2,54)	1.021 (25,93)
27XT2811000	.281 (7,14)	.062-1.000 (1,57 - 25,40)	.787 (19,99)	.100 (2,54)	1.147 (29,13)
27XT2811250	.281 (7,14)	.062-1.250 (1,57 - 31,75)	.787 (19,99)	.100 (2,54)	1.401 (35,59)
27XT2811500	.281 (7,14)	.062-1.500 (1,57 - 38,10)	.787 (19,99)	.100 (2,54)	1.651 (41,94)
27XT2811750	.281 (7,14)	.062-1.750 (1,57 - 44,45)	.787 (19,99)	.100 (2,54)	1.901 (48,29)
27XT3120250	.312 (7,92)	.062-.250 (1,57 - 6,35)	.874 (22,20)	.100 (2,54)	.410 (10,41)
27XT3120375	.312 (7,92)	.062-.375 (1,57 - 9,53)	.874 (22,20)	.100 (2,54)	.529 (13,44)
27XT3120500	.312 (7,92)	.062-.500 (1,57 - 12,7)	.874 (22,20)	.100 (2,54)	.655 (16,63)
27XT3120625	.312 (7,92)	.062-.625 (1,57 - 15,88)	.874 (22,20)	.100 (2,54)	.783 (19,89)
27XT3120750	.312 (7,92)	.062-.750 (1,57 - 19,05)	.874 (22,20)	.100 (2,54)	.894 (22,71)
27XT3120875	.312 (7,92)	.062-.875 (1,57 - 22,23)	.874 (22,20)	.100 (2,54)	1.036 (26,31)
27XT3121000	.312 (7,92)	.062-1.000 (1,57 - 25,40)	.874 (22,20)	.100 (2,54)	1.163 (29,54)
27XT3121250	.312 (7,92)	.062-1.250 (1,57 - 31,75)	.874 (22,20)	.100 (2,54)	1.416 (35,97)
27XT3121500	.312 (7,92)	.062-1.500 (1,57 - 38,10)	.874 (22,20)	.100 (2,54)	1.669 (42,39)
27XT3121750	.312 (7,92)	.062-1.750 (1,57 - 44,45)	.874 (22,19)	.100 (2,54)	1.923 (48,84)
27XT3150500	.315 (8,00)	.062-.500 (1,57 - 12,7)	.886 (22,50)	.100 (2,54)	.669 (16,99)
27XT3750250	.375 (9,53)	.062-.250 (1,57 - 6,35)	1.000 (25,40)	.100 (2,54)	.445 (11,30)
27XT3750375	.375 (9,52)	.062-.375 (1,57 - 9,53)	1.000 (24,40)	.100 (2,54)	.562 (14,27)
27XT3750500	.375 (9,53)	.062-.500 (1,57 - 12,70)	1.000 (25,40)	.100 (2,54)	.689 (17,50)
27XT3751000	.375 (9,52)	.062-1.000 (1,57 - 25,4)	1.000 (25,40)	.100 (2,54)	1.197 (30,40)

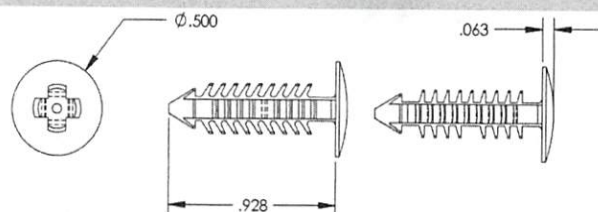
SPECIAL XMAS TREE TYPE CLIPS

Molded in **Black Nylon 6/6**



Hole Size .250 (6,35)
Panel Thickness .200/.500 (5,08/12,7)

PART NUMBER 27XTS2800710



Hole Size .234 (5,94)
Panel Thickness .140/.750 (3,55/19,05)

PART NUMBER 27XTS2340945



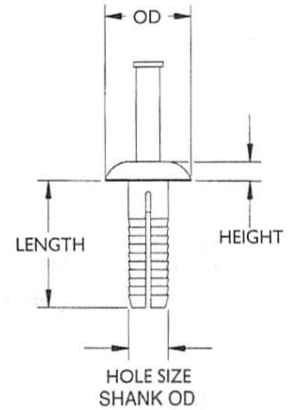
PANEL FASTENERS AND HOLE PLUGS

SECTION
VI

TWO PIECE ANCHOR RIVETS WITH PLASTIC & STEEL DRIVE PINS

Molded in: **BODY - White Impact Modified Nylon, PLASTIC PIN - White Acetal**

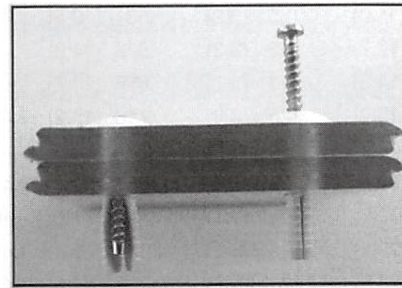
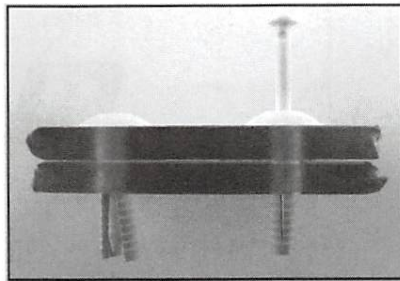
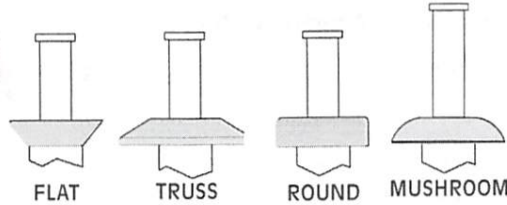
Micro Plastics' two piece Anchor Rivets provide versatile, inexpensive, vibration-resistant blind fasteners for solid or hollow materials including wood, concrete, plaster, metal, plastic, tile block or mortar. Installation is fast, rivet is inserted in predrilled hole and tapped with a hammer. The drive pin expands and seats the rivet securely in place. The Hi-Impact nylon anchor body provides high thermal, electrical, corrosion and vibration resistance. Typical uses for anchor rivets are; semi-trailer construction, liner panels, rails, scuff boards, floor plates, electrical fixtures, signs, plumbing fixtures, piping and conduit strap hangers, window and drapery hardware, railings, storage shelves and other assemblies requiring a positive, durable fastener.



NOTE: ANCHOR RIVETS ARE PACKAGED 1,000 PER BAG UNLESS OTHERWISE NOTED

- HIGH STRENGTH.
- ZINC PLATED.
- DEVELOPS HIGH PULL-OUT FORCE.
- THERMAL AND ELECTRICAL INSULATING.
- CORROSION AND VIBRATION RESISTANT.

New SIZES



PLASTIC DRIVE PIN

STEEL DRIVE PIN

PART NUMBER	SHANK OD	HOLE SIZE	LENGTH	HEADSTYLE
61APM18075	3/16 (4,76)	X	3/4 (19,05)	Mushroom, Plastic
61APM25075	1/4 (6,35)	X	3/4 (19,05)	Mushroom, Plastic
61APM25100	1/4 (6,35)	X	1 (25,40)	Mushroom, Plastic
61APM25150	1/4 (6,35)	X	1-1/2 (38,10)	Mushroom, Plastic

PART NUMBER	SHANK OD	HOLE SIZE	LENGTH	HEADSTYLE
61ASM18075	3/16 (4,76)	X	3/4 (19,05)	Mushroom, Steel
61ASM18100	3/16 (4,76)	X	1 (25,40)	Mushroom, Steel
61ASM25075	1/4 (6,35)	X	3/4 (19,05)	Mushroom, Steel
61ASM25100	1/4 (6,35)	X	1 (25,40)	Mushroom, Steel
61ASM25150	1/4 (6,35)	X	1-1/2 (38,10)	Mushroom, Steel

61APR18075	3/16 (4,76)	X	3/4 (19,05)	Round, Plastic
61APR25075	1/4 (6,35)	X	3/4 (19,05)	Round, Plastic
61APR25100	1/4 (6,35)	X	1 (25,40)	Round, Plastic
61APR25150	1/4 (6,35)	X	1-1/2 (38,10)	Round, Plastic

61ASR18075	3/16 (4,76)	X	3/4 (19,05)	Round, Steel
61ASR18100	3/16 (4,76)	X	1 (25,40)	Round, Steel
61ASR25075	1/4 (6,35)	X	3/4 (19,05)	Round, Steel
61ASR25100	1/4 (6,35)	X	1 (25,40)	Round, Steel
61ASR25150	1/4 (6,35)	X	1-1/2 (38,10)	Round, Steel

61APT18075	3/16 (4,76)	X	3/4 (19,05)	Truss, Plastic
61APT25075	1/4 (6,35)	X	3/4 (19,05)	Truss, Plastic
61APT25100	1/4 (6,35)	X	1 (25,40)	Truss, Plastic
61APT25125	1/4 (6,35)	X	1-1/4 (31,75)	Truss, Plastic
61APT25150	1/4 (6,35)	X	1-1/2 (38,10)	Truss, Plastic
61APT25200	1/4 (6,35)	X	2 (50,80)	Truss, Plastic
61APT25300*	1/4 (6,35)	X	3 (76,20)	Truss, Plastic
61APT25400*	1/4 (6,35)	X	4 (101,6)	Truss, Plastic
61APT25500**	1/4 (6,35)	X	5 (127,0)	Truss, Plastic
61APT25600**	1/4 (6,35)	X	6 (152,4)	Truss, Plastic

61AST18075	3/16 (4,76)	X	3/4 (19,05)	Truss, Steel
61AST18100	3/16 (4,76)	X	1 (25,40)	Truss, Steel
61AST25075	1/4 (6,35)	X	3/4 (19,05)	Truss, Steel
61AST25100	1/4 (6,35)	X	1 (25,40)	Truss, Steel
61AST25150	1/4 (6,35)	X	1-1/2 (38,10)	Truss, Steel

Offered in Grey and Beige color also.

Add color name to the end of the part number when ordering.

EXAMPLE: 61APT25075GREY

* PACKAGED 500 PCS PER BAG ** PACKAGED 250 PCS PER BAG

61APF25056	1/4 (6,35)	X	9/16 (14,29)	Flat, Plastic
61APF25075	1/4 (6,35)	X	3/4 (19,05)	Flat, Plastic

TYPE	OD	HEIGHT
Mushroom	9/16 (14,28)	.110 (2,79)
Round	7/16 (11,11)	.125 (3,18)
Truss	5/8 (15,88)	.110 (2,79)
Flat	7/16 (11,11)	.108 (2,74)



Get quote >>

Angic Global Solutions

1-888-872-0690

TELEPHONE: (870)

roplastics.com • W

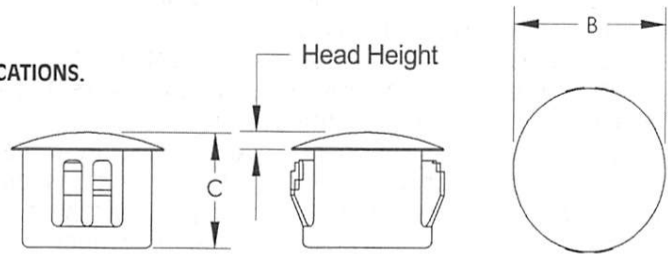
<https://www.AngicGlobal.com> Sales@AngicGlobal.com INC. 159

PANEL FASTENERS AND HOLE PLUGS

SECTION VI

Nylon Locking Hole Plugs are available in a large selection of sizes from 3/16" to 4". Designed with multiple locks to positively snap in panel thicknesses ranging from 1/64" to 1/4". Locking Hole Plugs are used to close excess chassis holes, wiring outlets, and production access holes.

- MOLDED OF HEAT STABILIZED NYLON (UL94V2) BLACK
- SUITABLE FOR CRITICAL OR ELEVATED TEMPERATURE APPLICATIONS.
- WHITE PARTS ADD "W" TO THE END OF PART NUMBER.



LOCKING HOLE PLUGS

Molded in **Black Heat Stabilized Nylon (UL94V2)**

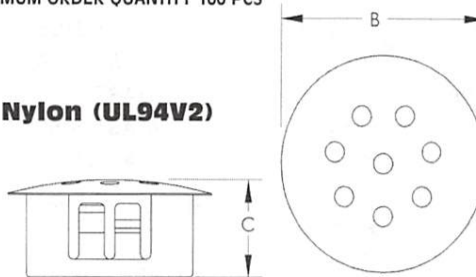
ITEM NUMBER	HOLE DIAMETER	MAXIMUM THICKNESS	HEAD DIA. B	THICKNESS C	HEAD HEIGHT
* 62MP0187	.187 (4,8)	.062 (1,6)	.250 (6,4)	.234 (5,9)	.062 (1,57)
* 62MP0250	.250 (6,4)	.062 (1,6)	.312 (8,0)	.312 (8,0)	.062 (1,57)
* 62MP0312	.312 (8,0)	.062 (1,6)	.375 (9,5)	.312 (8,0)	.062 (1,57)
* 62MP0375	.375 (9,5)	.125 (3,2)	.468 (12,0)	.406 (10,3)	.062 (1,57)
* 62MP0437	.437 (11,0)	.125 (3,2)	.531 (13,5)	.406 (10,3)	.062 (1,57)
* 62MP0500	.500 (12,7)	.125 (3,2)	.578 (14,6)	.406 (10,3)	.062 (1,57)
* 62MP0562	.562 (14,3)	.125 (3,2)	.656 (16,7)	.406 (10,3)	.062 (1,57)
* 62MP0625	.625 (15,9)	.125 (3,2)	.718 (18,2)	.406 (10,3)	.062 (1,57)
* 62MP0687	.687 (17,5)	.125 (3,2)	.781 (20,0)	.406 (10,3)	.062 (1,57)
* 62MP0750	.750 (19,0)	.125 (3,2)	.922 (23,2)	.406 (10,3)	.062 (1,57)
* 62MP0812	.812 (20,6)	.125 (3,2)	.890 (22,6)	.406 (10,3)	.062 (1,57)
* 62MP0875	.875 (22,2)	.125 (3,2)	1.016 (25,8)	.453 (11,5)	.062 (1,57)
** 62MP1000	1.000 (25,5)	.125 (3,2)	1.203 (30,5)	.453 (11,5)	.062 (1,57)
** 62MP1093	1.093 (27,8)	.125 (3,2)	1.222 (31,0)	.453 (11,5)	.062 (1,57)
** 62MP1187	1.187 (30,1)	.125 (3,2)	1.315 (33,4)	.453 (11,5)	.062 (1,57)
** 62MP1250	1.250 (32,0)	.125 (3,2)	1.375 (34,9)	.453 (11,5)	.062 (1,57)
** 62MP1250A	1.250 (32,0)	.125 (3,2)	1.500 (38,0)	.453 (11,5)	.062 (1,57)
** 62MP1375	1.375 (35,0)	.125 (3,2)	1.500 (38,0)	.453 (11,5)	.062 (1,57)
*** 62MP1500	1.500 (38,0)	.125 (3,2)	1.672 (42,7)	.453 (11,5)	.062 (1,57)
*** 62MP1750	1.750 (45,0)	.125 (3,2)	1.935 (49,1)	.453 (11,5)	.062 (1,57)
*** 62MP2000	2.000 (51,0)	.125 (3,2)	2.140 (55,0)	.453 (11,5)	.062 (1,57)
**** 62MP2250	2.250 (57,1)	.250 (6,3)	2.422 (61,5)	.750 (19,0)	.092 (2,33)
**** 62MP2500	2.500 (63,5)	.250 (6,3)	2.775 (70,5)	.750 (19,0)	.062 (1,57)
**** 62MP3000	3.000 (76,2)	.250 (6,3)	3.171 (80,5)	.720 (18,2)	.065 (1,65)
**** 62MP3375	3.375 (85,7)	.250 (6,3)	3.656 (92,8)	.725 (18,4)	.070 (1,77)
**** 62MP3500	3.500 (88,9)	.250 (6,3)	3.660 (92,9)	.750 (19,0)	.093 (2,36)
**** 62MP4000	4.000 (101,6)	.250 (6,3)	4.156 (105,5)	.765 (19,4)	.125 (3,17)

*MINIMUM ORDER QUANTITY 1,000 PCS **MINIMUM ORDER QUANTITY 500 PCS
 MINIMUM ORDER QUANTITY 250 PCS *MINIMUM ORDER QUANTITY 100 PCS

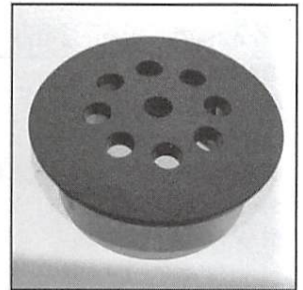
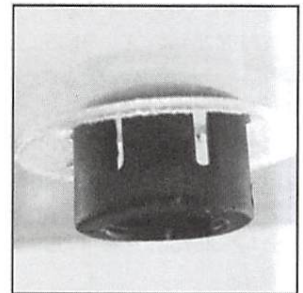
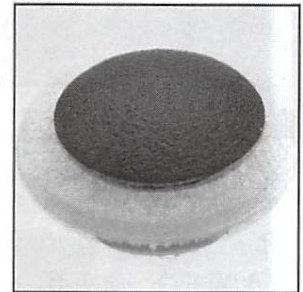
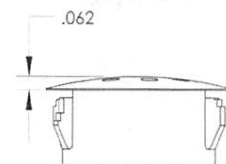
LOCKING VENT PLUGS

Molded in **Black Heat Stabilized Nylon (UL94V2)**

LOCKING VENT PLUGS ARE AVAILABLE 3/4" to 7/8" AND 1" DIAMETERS.



ITEM NUMBER	HOLE DIAMETER	MAXIMUM THICKNESS	HEAD DIAMETER B	THICKNESS C
* 62MP0750V	.750 (19,1)	.125 (3,2)	.906 (23,0)	.406 (10,3)
* 62MP0875V	.875 (22,5)	.125 (3,2)	1.016 (25,8)	.453 (11,5)
** 62MP1000V	1.000 (25,5)	.125 (3,2)	1.215 (30,8)	.453 (11,5)



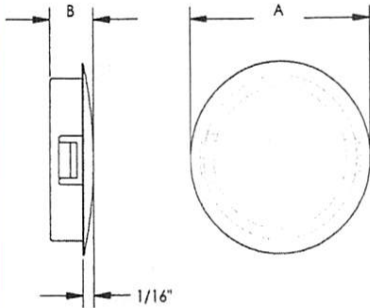
PANEL FASTENERS AND HOLE PLUGS

SECTION
VI

MINIATURE LOCKING HOLE PLUGS

Molded in **Black Heat Stabilized Nylon (UL94V2)**

Nylon Miniature Locking Hole Plugs are available in sizes from 3/16" to 7/8". Designed with multiple locks to positively snap in panel thickness of 1/16". Locking Hole Plugs are used to close excess chassis holes, wiring outlets, and production access holes.



- ALL ITEMS ARE PACKAGED 1,000 PIECES PER BAG
- WHITE PARTS ADD "W" TO THE END OF PART NUMBER

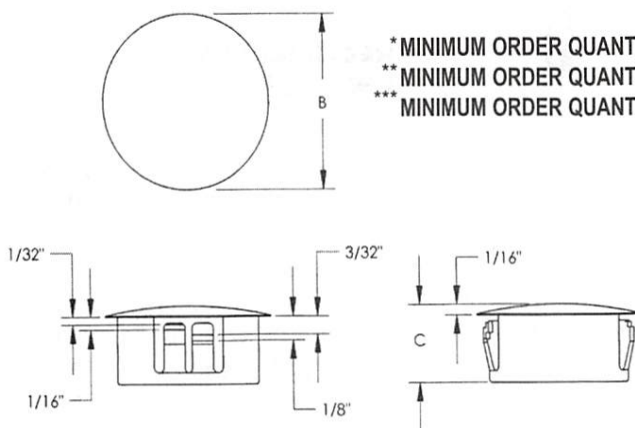


ITEM NUMBER	DESCRIPTION	HOLE DIAMETER	A	B
62MPS0187	3/16" Miniature Locking Hole Plug	0.187 (4,75)	0.250 (6,35)	0.234 (5,94)
62MPS0312	5/16" Miniature Locking Hole Plug	0.312 (7,93)	0.375 (9,53)	0.234 (5,94)
62MPS0343	11/32" Miniature Locking Hole Plug	0.343 (8,71)	0.410 (10,41)	0.250 (6,35)
62MPS0375	3/8" Miniature Locking Hole Plug	0.375 (9,53)	0.468 (11,89)	0.250 (6,35)
62MPS0500	1/2" Miniature Locking Hole Plug	0.500 (12,7)	0.578 (14,7)	0.250 (6,35)
62MPS0625	5/8" Miniature Locking Hole Plug	0.625 (15,9)	0.718 (18,2)	0.250 (6,35)
62MPS0750	3/4" Miniature Locking Hole Plug	0.750 (19,1)	0.922 (23,4)	0.250 (6,35)
62MPS0875	7/8" Miniature Locking Hole Plug	0.875 (22,2)	1.016 (25,8)	0.250 (6,35)

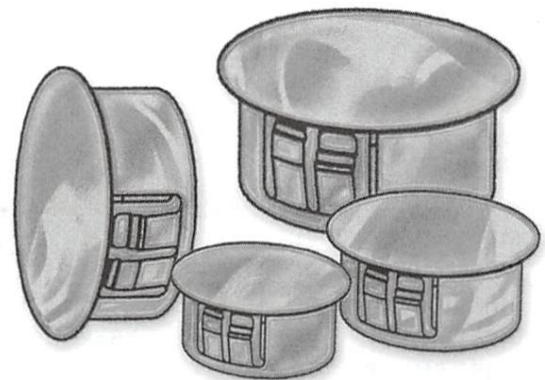
KNOCK OUT PLUGS

Molded in **GREY HEAT STABILIZED Nylon**

Knock out plugs are molded in Grey Nylon to blend in with galvanized steel. Economical plugs that lock firmly into 5 trade size holes with panel thickness up to 1/8". Installs with fingertip pressure - no tools required.



- * MINIMUM ORDER QUANTITY 1,000 PIECES
- ** MINIMUM ORDER QUANTITY 500 PIECES
- *** MINIMUM ORDER QUANTITY 250 PIECES



ITEM NUMBER	DESCRIPTION	MAXIMUM HOLE DIA.	MAX PANEL THICKNESS	DIAMETER B	THICKNESS C
* 62MP0875KOP	7/8" Knock Out Plug	0.875 (22,2)	0.125 (3,18)	1.016 (25,8)	.453 (11,5)
** 62MP1093KOP	1 1/8" Knock Out Plug	1.093 (27,8)	0.125 (3,18)	1.222 (31,0)	.453 (11,5)
** 62MP1375KOP	1 3/8" Knock Out Plug	1.375 (34,9)	0.125 (3,18)	1.500 (38,1)	.453 (11,5)
*** 62MP1500KOP	1 1/2" Knock Out Plug	1.500 (38,1)	0.125 (3,18)	1.692 (42,4)	.453 (11,5)
*** 62MP1750KOP	1 3/4" Knock Out Plug	1.750 (44,5)	0.125 (3,18)	1.935 (49,1)	.453 (11,5)
*** 62MP2000KOP	2" Knock Out Plug	2.000 (50,8)	0.125 (3,18)	2.140 (54,4)	.453 (11,5)

PANEL FASTENERS AND HOLE PLUGS

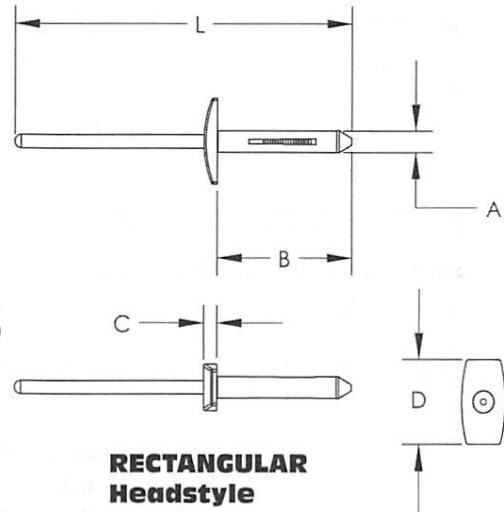
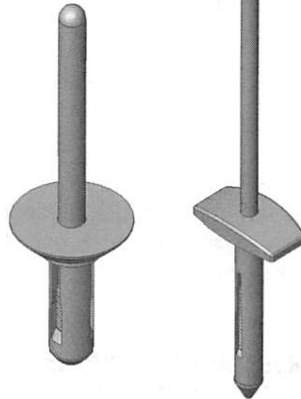
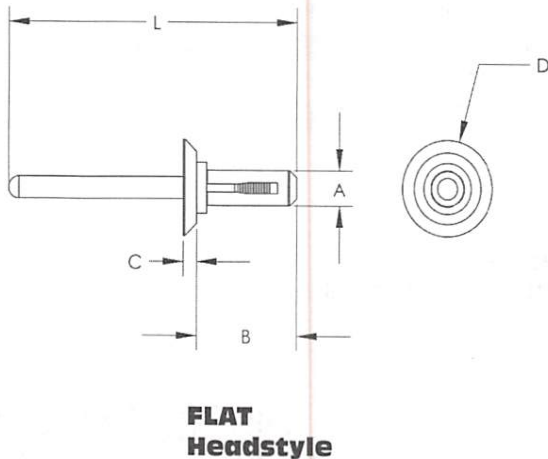
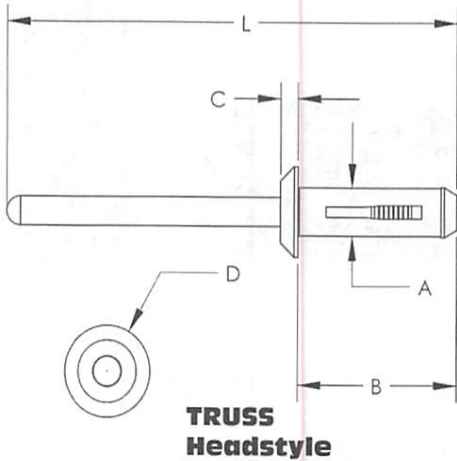
SECTION VI

BLIND RIVETS

BODY Molded in **Black Impact Modified Nylon 6/6**
PIN Molded in **Black Acetal**

The Blind Rivet is a precision molded all plastic rivet used to fasten plastic to plastic, plastics to metal and plastic to fiberglass. Rivets are non-conductive and non-corrosive.

The body of the rivet is molded in Impact Modified Nylon and the Pin is molded in Acetal. The three leg design securely locks the panels in place and prevents pullout. The rivet inserts from either side of the assembly using standard rivet setting tools. As the pin is pulled through the body it draws the panels together. When set the pin breaks off even with the head leaving an attractive finished look.



ITEM NUMBER	A	B	C	D	L	HOLE SIZE	GRIP RANGE	HEAD STYLE
61BR197118157	.187 (4,75)	.652 (16,56)	.071 (1,80)	.350 (8,89)	1.845 (46,86)	.218 (5,54)	.118-.158 (2,99-4,01)	Truss
61BR197118177	.191 (4,85)	.792 (20,11)	.071 (1,80)	.472 (11,98)	1.892 (48,05)	.187 (4,74)	.118-.236 (2,99-5,99)	Truss
61BR197118236	.191 (4,85)	.789 (20,04)	.071 (1,80)	.472 (11,98)	1.881 (47,77)	.218 (5,53)	.118-.236 (2,99-5,99)	Truss
61BR197236394	.191 (4,85)	.984 (24,99)	.071 (1,80)	.472 (11,98)	2.004 (50,90)	.197 (5,00)	.236-.394 (5,99-10,00)	Truss
61BR197059177	.191 (4,85)	.614 (15,59)	.129 (3,27)	.468 (11,88)	1.881 (47,77)	.218 (5,53)	.059-.177 (1,49-4,49)	Truss
61BR236157335	.236 (5,99)	1.108 (28,14)	.098 (2,48)	.508 (12,90)	2.200 (55,88)	.250 (6,35)	.157-.335 (3,98-8,50)	Truss
61BR250098197	.258 (6,55)	.797 (20,24)	.098 (2,48)	.512 (13,00)	1.883 (47,82)	.281 (7,13)	.098-.197 (2,48-5,00)	Truss
61BR250157236	.240 (6,09)	.701 (17,80)	.097 (2,46)	.660 (16,76)	2.168 (55,06)	.250 (6,35)	.157-.236 (3,98-5,99)	Truss
61BR250157394	.240 (6,09)	1.105 (28,07)	.098 (2,48)	.665 (16,89)	2.197 (55,80)	.250 (6,35)	.157-.394 (3,99-10,01)	Truss
61BR250157394A	.240 (6,09)	1.105 (28,07)	.098 (2,48)	.508 (12,90)	2.197 (55,80)	.250 (6,35)	.157-.394 (3,99-10,01)	Truss
61BR260098197	.258 (6,55)	.797 (20,24)	.098 (2,48)	.702 (17,83)	1.883 (47,82)	.281 (7,13)	.098-.197 (2,48-5,00)	Truss
61BR250028178	.240 (6,09)	.743 (18,87)	.097 (2,46)	.660 (16,76)	2.133 (54,17)	.250 (6,35)	.028-.178 (0,71-4,52)	Flat
61BR250028193	.240 (6,09)	.797 (20,24)	.097 (2,46)	.665 (16,89)	2.185 (55,49)	.250 (6,35)	.028-.193 (0,71-4,90)	Flat
61BR156236419	.152 (3,86)	1.025 (26,03)	.100 (2,54)	.605 (15,36)	2.567 (65,20)	.156 (3,96)	.236-.413 (5,99-10,49)	Rectangular

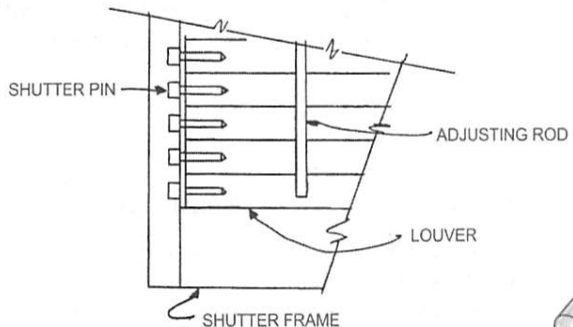
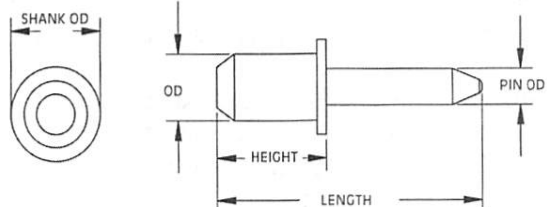
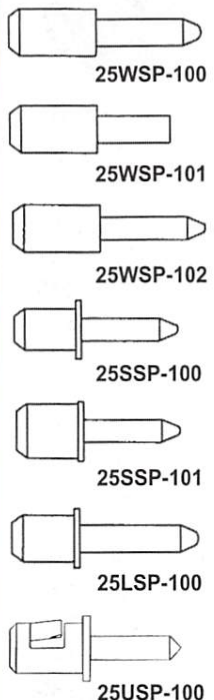
PANEL FASTENERS AND HOLE PLUGS

SECTION
VI

SHUTTER PINS

Molded in **TRANSLUCENT OFF WHITE Nylon 6/6**

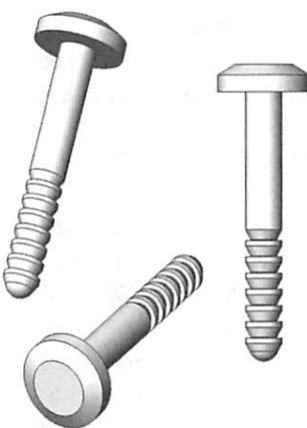
Micro Plastics' SHUTTER PINS are used in the assembly of shutters. Molded in a Nylon 6/6 translucent off white color. Nylon 6/6/ is a material which has excellent wear properties, low coefficient of friction, good chemical resistance and will not rust. Part number 25USP-100 has a split head for greater retention.

PART NUMBER	OD	PIN OD	HEIGHT	LENGTH	SHANK OD * REF
25WSP-100	.243 (6,17)	.140 (3,56)	31/64 (12,29)	1 1/16 (26,98)	
25WSP-101	.243 (6,17)	.140 (3,56)	31/64 (12,29)	7/8 (22,23)	
25WSP-102	.243 (6,17)	.117 (2,97)	31/64 (12,29)	1 1/16 (26,98)	
25SSP-100	.215 (5,46)	.117 (2,97)	3/8 (9,53)	29/32 (23,01)	19/64 (7,5)
25SSP-101	.280 (7,11)	.117 (2,97)	3/8 (9,53)	29/32 (23,01)	19/64 (7,5)
25LSP-100	.240 (6,10)	.140 (3,56)	3/8 (9,53)	1 1/32 (26,19)	19/64 (7,5)
25USP-100	.245 (6,22)	.120 (3,05)	13/32 (10,32)	55/64 (21,83)	5/16 (7,9)

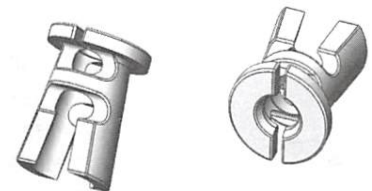
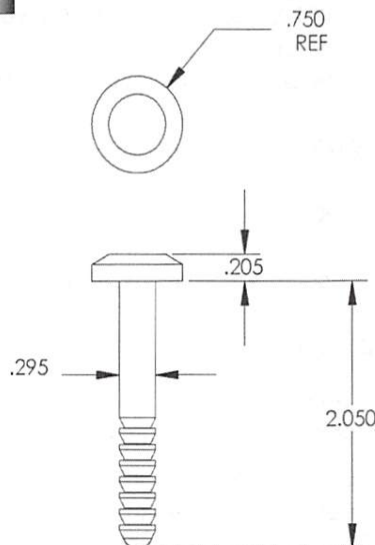
SIGN FASTENER SYSTEM

Molded in **WHITE IMPACT MODIFIED Nylon 6/6**



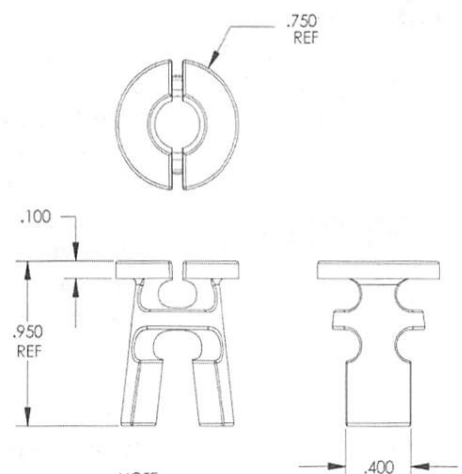
PIN

PART NUMBER
27RSFP001



KEEPER

PART NUMBER
27RSFK001



NOTE:
HOLE SIZE: .312
PANEL RANGE: 1.000 - 1.750



Get quote >>

oplastics.com • W

Angic Global Solutions

1-888-872-0690

<https://www.AngicGlobal.com> Sales@AngicGlobal.com

INC. 163

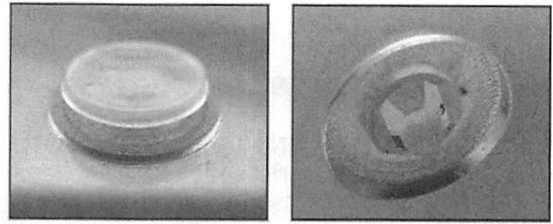
TEL: PHONE: (870)

PANEL FASTENERS AND HOLE PLUGS

SECTION VI

Economical snap-in Poly-Plugs will close unneeded chassis holes, wiring outlets, fill unused accessory openings, cover inspection and production access holes.

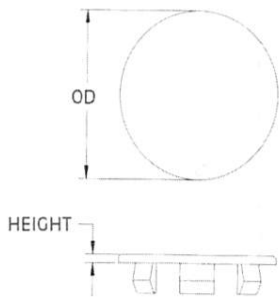
They can be used as tube end caps and protective bumpers. Poly Plugs are molded in Nylon which is abrasion and vibration resistant making them ideal for drawer glides and small appliance feet. Poly Plugs are designed with special flexible and tapered prongs which snugly lock in place with finger pressure but can be removed and reused when necessary.



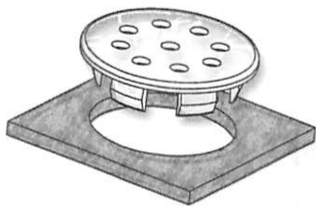
HOLE PLUGS

Molded in **Natural Nylon 6/6**

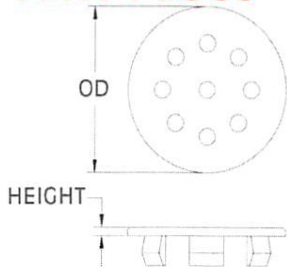
New SIZES



METRIC Sizes Also Available
Page 282



VENT PLUGS



ITEM NUMBER	HEAD STYLE	FINISH	HOLE SIZE RND	PANEL THICKNESS	OD	HEIGHT
62PP018BG10	Binder	Smooth	.187 (4,75)	.031/.100 (0,79/2,54)	11/32 (8,71)	.040 (1,02)
62PP018BG14	Binder	Smooth	.187 (4,75)	.031/.140 (0,79/3,56)	11/32 (8,71)	.040 (1,02)
62PP018BM08	Binder	Matte	.187 (4,75)	.031/.050 (0,78/1,27)	.344 (8,73)	.040 (1,02)
62PP018BM14	Binder	Matte	.187 (4,75)	.031/.140 (0,79/3,56)	11/32 (8,71)	.040 (1,02)
62PP022RG06	Dome	Smooth	.218 (5,54)	.031/.062 (0,79/1,58)	3/8 (9,53)	.250 (6,35)
62PP022RG09	Dome	Smooth	.218 (5,54)	.031/.094 (0,79/2,39)	3/8 (9,53)	.250 (6,35)
62PP025BG06	Binder	Smooth	.250 (6,35)	.031/.062 (0,79/1,58)	27/64 (10,72)	.040 (1,02)
62PP025BM06	Binder	Matte	.250 (6,35)	.031/.062 (0,79/1,58)	27/64 (10,72)	.040 (1,02)
62PP031BG14	Binder	Smooth	.312 (7,93)	.031/.140 (0,79/3,56)	29/64 (11,51)	.055 (1,40)
62PP031BM14	Binder	Matte	.312 (7,93)	.031/.140 (0,79/3,56)	29/64 (11,51)	.055 (1,40)
62PP031BM15	Binder	Matte	.315 (8,00)	.047/.156 (1,19/3,96)	1/2 (12,7)	.080 (2,03)
62PP012BG09	Binder	Smooth	.125 (3,18)	.031/.094 (0,79/2,39)	13/64 (5,16)	.040 (1,02)
62PP015BG09	Binder	Smooth	.150 (3,81)	.031/.094 (0,79/2,39)	1/4 (6,35)	.040 (1,02)
62PP037BG14	Binder	Smooth	.375 (9,53)	.031/.140 (0,79/3,56)	43/64 (17,07)	.062 (1,58)
62PP037BG31	Binder	Smooth	.375 (9,53)	.031/.140 (0,79/3,56)	37/64 (14,68)	.055 (1,40)
62PP037BM31	Binder	Matte	.375 (9,53)	.031/.140 (0,79/3,56)	37/64 (14,68)	.055 (1,40)
62PP043BG17	Binder	Smooth	.437(11,10)	.031/.171 (0,79/4,34)	39/64 (15,47)	.055 (1,40)
62PP043BM17	Binder	Matte	.437(11,10)	.031/.171 (0,79/4,34)	39/64 (15,47)	.055 (1,40)
62PP048BM12	Binder	Matte	.480(12,19)	.031/.039 (0,79/0,99)	37/64 (14,68)	.055 (1,40)
62PP050BG14	Binder	Smooth	.500(12,70)	.031/.140 (0,79/3,56)	43/64 (17,07)	.062 (1,58)
62PP050BM14	Binder	Matte	.500(12,70)	.031/.140 (0,79/3,56)	43/64 (17,07)	.062 (1,58)
62PP056BG14	Binder	Smooth	.562(14,28)	.031/.140 (0,79/3,56)	47/64 (18,64)	.062 (1,58)
62PP056BM14	Binder	Matte	.562(14,28)	.031/.140 (0,79/3,56)	47/64 (18,64)	.062 (1,58)
62PP062BG07	Binder	Smooth	.625(15,88)	.031/.072 (0,79/1,83)	51/64 (20,24)	.062 (1,58)
62PP062BM07	Binder	Matte	.625(15,88)	.031/.072 (0,79/1,83)	51/64 (20,24)	.062 (1,58)
62PP068BG10	Binder	Smooth	.687(17,45)	.031/.109 (0,79/2,77)	57/64 (22,63)	.062 (1,58)
62PP068BM10	Binder	Matte	.687(17,45)	.031/.109 (0,79/2,77)	57/64 (22,63)	.062 (1,58)
62PP075BG11	Binder	Smooth	.750(19,05)	.031/.109 (0,79/2,77)	63/64 (25,00)	.062 (1,58)
62PP075BM11	Binder	Matte	.750(19,05)	.031/.109 (0,79/2,77)	63/64 (25,00)	.062 (1,58)
62PP078BG09	Binder	Smooth	.787(20,00)	.059/.080 (1,50/2,03)	63/64 (25,00)	.062 (1,58)
62PP078BM09	Binder	Matte	.787(20,00)	.059/.080 (1,50/2,03)	63/64 (25,00)	.062 (1,58)
62PP081BG11	Binder	Smooth	.812(20,63)	.031/.109 (0,79/2,77)	1 1/32 (26,19)	.062 (1,58)
62PP081BM11	Binder	Matte	.812(20,63)	.031/.109 (0,79/2,77)	1 1/32 (26,19)	.062 (1,58)
62PP087BG11	Binder	Smooth	.875(22,23)	.031/.109 (0,79/2,77)	1 5/64 (27,38)	.062 (1,58)
62PP087BM11	Binder	Matte	.875(22,23)	.031/.109 (0,79/2,77)	1 5/64 (27,38)	.062 (1,58)
62PP100BG11	Binder	Smooth	1.000(25,40)	.031/.109 (0,79/2,77)	1 7/32 (30,96)	.062 (1,58)
62PP100BM11	Binder	Matte	1.000(25,40)	.031/.109 (0,79/2,77)	1 7/32 (30,96)	.062 (1,58)
ITEM NUMBER	HEAD STYLE	FINISH	HOLE SIZE RND	PANEL THICKNESS	OD	HEIGHT
62VP087BM11	Binder	Matte	.875(22,23)	.031/.109 (0,79/2,77)	1 5/64 (27,38)	.062 (1,58)
62VP100BM11	Binder	Matte	1.000(25,40)	.031/.109 (0,79/2,77)	1 7/32 (30,96)	.062 (1,58)



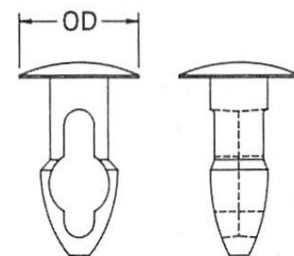
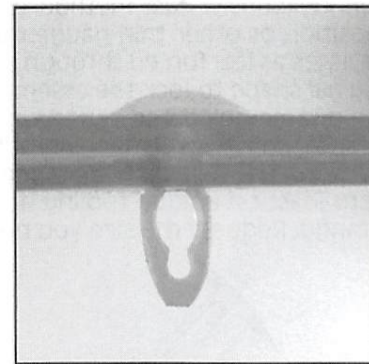
PANEL FASTENERS AND HOLE PLUGS

SECTION
VI

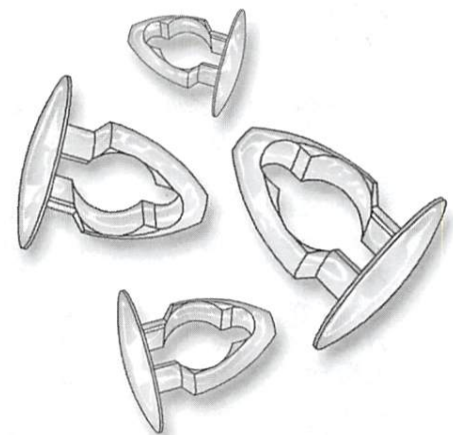
KEY-HOLE CLIPS

Molded in **Natural Nylon 6/6**

PART NUMBER	OD	HOLE SIZE RND	PANEL THICKNESS
27KY1250093	1/4" (6,35)	.125 (3,18)	.093 (2,36)
27KY1250125	1/4" (6,35)	.125 (3,18)	.125 (3,18)
27KY1250156	1/4" (6,35)	.125 (3,18)	.156 (3,96)
27KY1250187	1/4" (6,35)	.125 (3,18)	.188 (4,78)
27KY1250219	1/4" (6,35)	.125 (3,18)	.219 (5,56)
27KY1250250	1/4" (6,35)	.125 (3,18)	.250 (6,35)
27KY1560062	5/16" (7,94)	.156 (3,96)	.062 (1,57)
27KY1560093	5/16" (7,94)	.156 (3,96)	.093 (2,36)
27KY1560125	5/16" (7,94)	.156 (3,96)	.125 (3,18)
27KY1560156	5/16" (7,94)	.156 (3,96)	.156 (3,96)
27KY1560187	5/16" (7,94)	.156 (3,96)	.187 (4,75)
27KY1560218	5/16" (7,94)	.156 (3,96)	.218 (5,54)
27KY1560250	5/16" (7,94)	.156 (3,96)	.250 (6,35)
27KY1560281	5/16" (7,94)	.156 (3,96)	.281 (7,14)
27KY1560312	5/16" (7,94)	.156 (3,96)	.312 (7,92)
27KY1560343	5/16" (7,94)	.156 (3,96)	.343 (8,71)
27KY1560375	5/16" (7,94)	.156 (3,96)	.375 (9,53)
27KY1870093	5/16" (7,94)	.187 (4,75)	.093 (2,36)
27KY1870125	5/16" (7,94)	.187 (4,75)	.125 (3,18)
27KY1870156	5/16" (7,94)	.187 (4,75)	.156 (3,96)
27KY1870187	5/16" (7,94)	.187 (4,75)	.187 (4,75)
27KY1870219	5/16" (7,94)	.187 (4,75)	.219 (5,56)
27KY1870250	5/16" (7,94)	.187 (4,75)	.250 (6,35)
27KY18702507	15/32" (11,89)	.187 (4,75)	.250 (6,35)
27KY1870281	5/16" (7,94)	.187 (4,75)	.281 (7,14)
27KY1870312	5/16" (7,94)	.187 (4,75)	.312 (7,92)
27KY1870343	5/16" (7,94)	.187 (4,75)	.344 (8,74)
27KY1870375	5/16" (7,94)	.187 (4,75)	.375 (9,53)
27KY2190093	11/32" (8,73)	.219 (5,56)	.093 (2,36)
27KY2190343	11/32" (8,74)	.219 (5,56)	.343 (8,71)
27KY2190375	11/32" (8,74)	.219 (5,56)	.375 (9,53)
27KY2190125	11/32" (8,73)	.219 (5,56)	.125 (3,18)
27KY2190156	11/32" (8,73)	.219 (5,56)	.156 (3,96)
27KY2190187	11/32" (8,73)	.219 (5,56)	.187 (4,78)
27KY2190219	11/32" (8,73)	.219 (5,56)	.219 (5,56)
27KY2190250	11/32" (8,73)	.219 (5,56)	.250 (6,35)
27KY2190281	11/32" (8,73)	.219 (5,56)	.281 (7,14)
27KY2190312	11/32" (8,73)	.219 (5,56)	.312 (7,92)
27KY2500093	1/2" (12,70)	.250 (6,35)	.093 (2,36)
27KY2500125	1/2" (12,70)	.250 (6,35)	.125 (3,18)
27KY2500156	1/2" (12,70)	.250 (6,35)	.156 (3,96)
27KY2500187	1/2" (12,70)	.250 (6,35)	.187 (4,75)
27KY2500219	1/2" (12,70)	.250 (6,35)	.219 (5,56)
27KY2500250	1/2" (12,70)	.250 (6,35)	.250 (6,35)
27KY2500281	1/2" (12,70)	.250 (6,35)	.281 (7,14)
27KY2500312	1/2" (12,70)	.250 (6,35)	.312 (7,92)
27KY2500343	1/2" (12,70)	.250 (6,35)	.343 (8,71)
27KY2500375	1/2" (12,70)	.250 (6,35)	.375 (9,53)
27KY2500406	1/2" (12,70)	.250 (6,35)	.406 (10,31)
27KY2500437	1/2" (12,70)	.250 (6,35)	.437 (11,10)
27KY2500468	1/2" (12,70)	.250 (6,35)	.468 (11,89)
27KY2500500	1/2" (12,70)	.250 (6,35)	.500 (12,70)
27KY2810406	.500 (12,70)	.281 (7,14)	.406 (10,31)



This panel fastener incorporates a new design. The key-hole shaped interior allows the part to collapse more completely for easy assembly with finger pressure. Tapered, bullet-style point slides into hole easily. Angled panel lock section takes up slack in panels to provide for a tight assembly. The design allows for a relatively large clip diameter to hole size ratio, resulting in higher retention force. Parts can be tooled for a large variety of hole and panel variations.



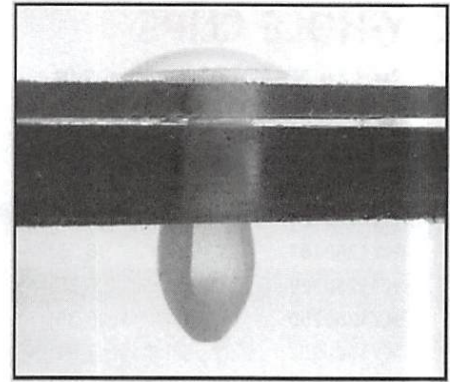
PANEL FASTENERS AND HOLE PLUGS

SECTION
VI

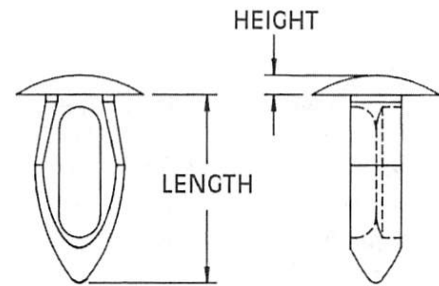
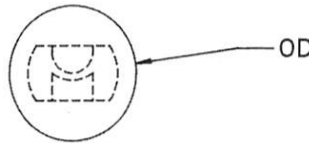
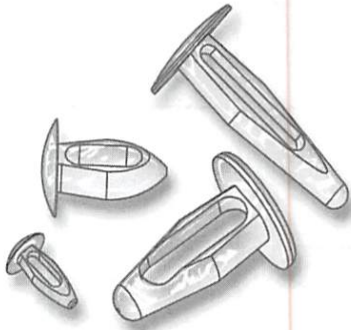
ARROW CLIPS

Molded in **Natural Nylon 6/6**

Micro Plastics' Arrow Clips are reusable, molded nylon fasteners that feature an inexpensive fast method to hand assemble metal, wood, plastic, composition or other thin-gauge materials. The specially designed body compresses as it is forced through a prepunched hole and springs back to its original shape to lock the assembled parts securely. The versatile clips can be disassembled and reused again and again. They provide an economical, electrical insulating, vibration, abrasion, and corrosion resistant connection. The following are some of the more common sizes. Because of Micro Plastics' unique tooling approach, designs can be varied over a wide range. Request the size you need.



PNEUMATIC POWER TOOLS ARE AVAILABLE FOR VOLUME USERS



PART NUMBER	DESCRIPTION	HOLE SIZE RND	PANEL THK. RANGE	OD	HEIGHT	LENGTH
27AC0001	AC 1	.182/.192 (4,62/4,88)	.062/.125 (1,57/3,18)	.360 (9,14)	.060 (1,52)	.400 (10,16)
27AC0002	AC 2	.131/.135 (3,33/3,43)	.062/.125 (1,57/3,18)	.270 (6,85)	.060 (1,52)	.395 (10,03)
27AC0003	AC 3	.151/.161 (3,84/4,09)	.062/.125 (1,57/3,18)	.280 (7,11)	.040 (1,02)	.390 (9,91)
27AC0004	AC 4	.151/.161 (3,84/4,09)	.062/.145 (1,57/3,68)	.280 (7,11)	.080 (2,03)	.400 (10,16)
27AC0005	AC 5	.213/.223 (5,41/5,66)	.125/.187 (3,18/4,75)	.370 (9,40)	.060 (1,52)	.540 (13,72)
27AC0006	AC 6	.182/.192 (4,62/4,88)	.310/.330 (7,87/8,38)	.370 (9,40)	.060 (1,52)	.540 (13,72)
27AC0007	AC 7	.213/.223 (5,41/5,66)	.062/.125 (1,57/3,18)	.370 (9,40)	.060 (1,52)	.450 (11,43)
27AC0009	AC 9	.250/.260 (6,39/6,60)	.125/.187 (3,18/4,75)	.484 (12,29)	.060 (1,52)	.575 (14,61)
27AC0010	AC 10	.062/.065 (1,57/1,65)	.010/.031 (0,25/0,79)	.100 (2,54)	.020 (0,51)	.125 (3,18)
27AC0011	AC 11	.182/.192 (4,62/4,88)	.165/.185 (4,19/4,70)	.375 (9,53)	.060 (1,52)	.525 (13,33)
27AC0012	AC 12	.195/.200 (4,95/5,08)	.035/.065 (0,89/1,65)	.370 (9,40)	.056 (1,42)	.350 (8,89)
27AC0013	AC 13	.130/.132 (3,30/3,35)	.125/.140 (3,18/3,56)	.270 (6,85)	.070 (1,77)	.310 (7,87)
27AC0014	AC 14	.145/.150 (3,68/3,71)	.290/.300 (7,37/7,62)	.270 (6,85)	.070 (1,77)	.530 (13,46)
27AC0015	AC 15	.118/.122 (3,00/3,10)	.062/.125 (1,57/3,18)	.280 (7,11)	.060 (1,52)	.390 (9,91)
27AC0016	AC 16	.250/.260 (6,35/6,60)	.360/.380 (9,14/9,65)	.615 (15,62)	.065 (1,65)	.810 (20,57)
** 27AC0017	AC 17	.335/.340 (8,51/8,64)	.062/.340 (1,57/8,63)	.683 (17,35)	.070 (1,77)	.900 (22,86)
27AC0018	AC 18	.160/.165 (4,06/4,19)	.032/.125 (0,81/3,18)	.280 (7,11)	.080 (2,03)	.400 (10,16)
** 27AC0019	AC 19	.330/.340 (8,38/8,64)	.125/.350 (3,18/8,88)	.685 (17,45)	.070 (1,77)	.895 (22,74)
27AC0020	AC 20	.120/.135 (3,02/3,43)	.062/.125 (1,58/3,18)	.270 (6,85)	.040 (1,01)	.330 (8,38)
** 27AC0021	AC 21	.250/.260 (6,35/6,57)	.125/.250 (3,18/6,35)	.500 (12,70)	.050 (1,27)	.630 (16,0)
27AC0022	AC 22	.085/.090 (2,16/2,29)	.032/.107 (0,81/2,72)	.125 (3,18)	.030 (0,76)	.187 (4,75)
27AC0023	AC 23	.335/.345 (8,51/8,76)	.062/.140 (1,57/3,56)	.866 (22,00)	.050 (1,27)	.450 (11,43)
27AC0024	AC 24	.250/.260 (6,25/6,60)	.500/.750 (12,7/19,1)	.610 (15,49)	.068 (1,73)	1.135 (28,83)
27AC0026	AC 26	.240/.260 (6,10/6,60)	.095/.218 (2,41/5,54)	.750 (19,05)	.055 (1,40)	.632 (16,05)
27AC0027	AC 27	.062/.065 (1,57/1,65)	.010/.031 (0,25/0,79)	.100 (2,54)	.020 (0,51)	.187 (4,75)
27AC0028*	AC 28	.192/.212 (4,88/5,38)	.062/.125 (1,57/3,17)	.375 (9,53)	.060 (1,52)	.450 (11,43)
** 27AC0029	AC 29	.330/.340 (8,38/8,64)	.125/.350 (3,18/8,89)	.475 (12,07)	.070 (1,77)	.895 (22,73)
27AC0030	AC 30	.160/.165 (4,06/4,19)	.032/.125 (8,81/3,18)	.300 (7,62)	.110 (2,79)	.400 (10,16)
27AC0031	AC 31	.182/.192 (4,62/4,88)	.200/.250 (5,08/6,35)	.270 (6,85)	.070 (1,77)	.528 (13,41)
27AC0032	AC 32	.155/.162 (3,94/4,11)	.300/.310 (7,62/7,87)	.270 (6,85)	.070 (1,77)	.535 (13,59)
27AC0033	AC 33	.182/.192 (4,62/4,88)	.165/.185 (4,19/4,70)	.472 (11,99)	.060 (1,52)	.525 (13,34)
27AC0034	AC 34	.147 (3,73)	.220/.240 (5,58/6,09)	.270 (6,85)	.070 (1,77)	.414 (10,51)

* PART HAS NO WEBBING ** FLAT HEADSYTLE



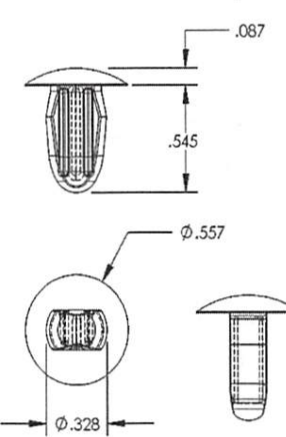
PANEL FASTENERS AND HOLE PLUGS

SECTION
VI

"SPECIAL ITEMS" ARROW CLIPS

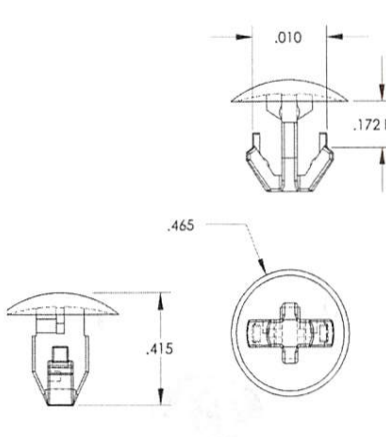
Molded in **Natural Nylon 6/6**

Special Item Arrow Clips are designed to provide unique fasteners for assembly applications where larger panel thicknesses and or mounting diameters combined with increased fastening strength is required.



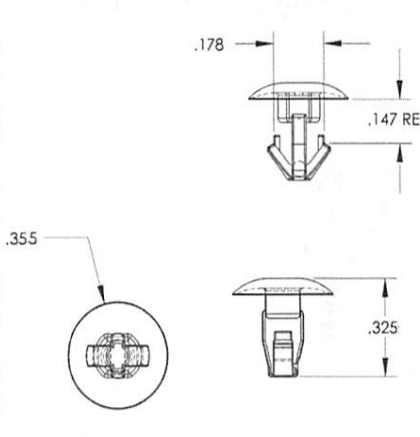
Hole Size .312 (7,92)
Panel Thickness .062/.125 (1,57/3,17)

PART NUMBER 401048



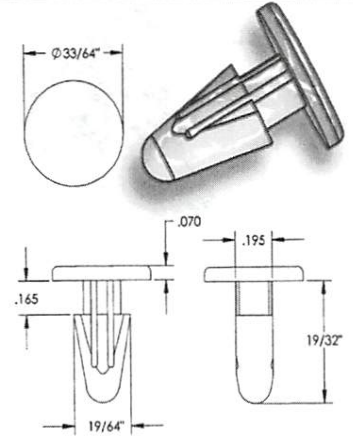
Hole Size .250 (6,35)
Panel Thickness .172 (4,36)

PART NUMBER 401044



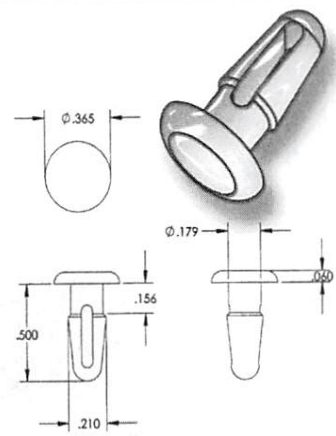
Hole Size .156 (3,96)
Panel Thickness .147 (3,73)

PART NUMBER 401045



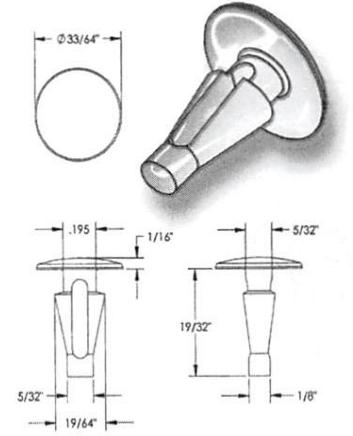
Hole Size .250 (6,35)
Panel Thickness .156 (3,96)

PART NUMBER 401010



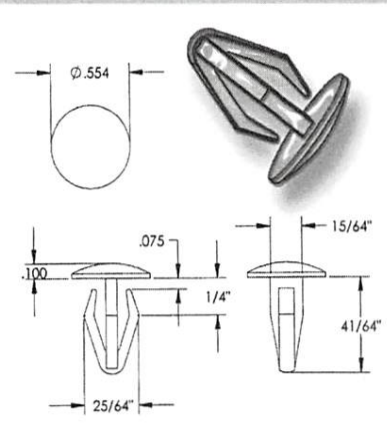
Hole Size .190 (4,82)
Panel Thickness .156 (3,96)

PART NUMBER 401011



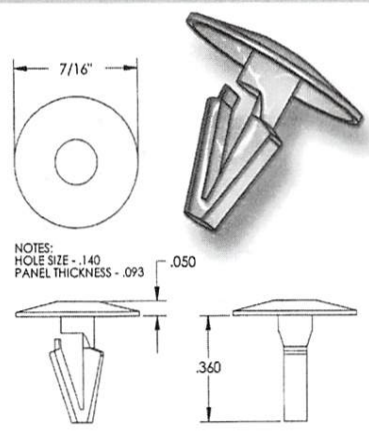
Hole Size .285 (7,23)
Panel Thickness .125 (3,17)

PART NUMBER 401014



Hole Size .312 (7,92)
Panel Thickness .219 (5,56)

PART NUMBER 401006



NOTES:
HOLE SIZE - .140
PANEL THICKNESS - .093

Hole Size .140 (3,55)
Panel Thickness .093 (2,36)

PART NUMBER 401032



Hole Size .250 (6,35)
Panel Thickness .125 (3,17)

PART NUMBER 401033



PANEL FASTENERS AND HOLE PLUGS

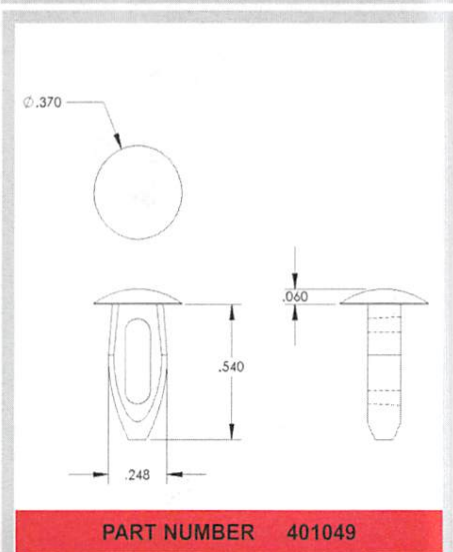
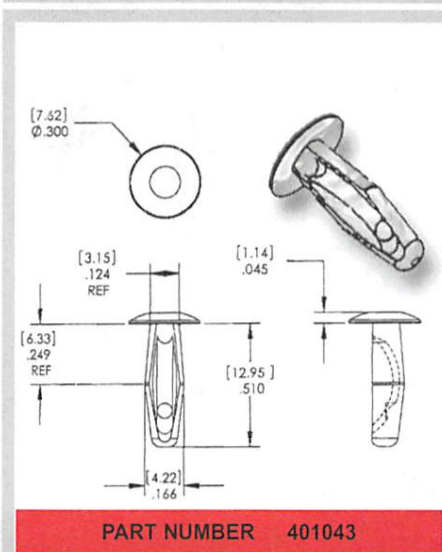
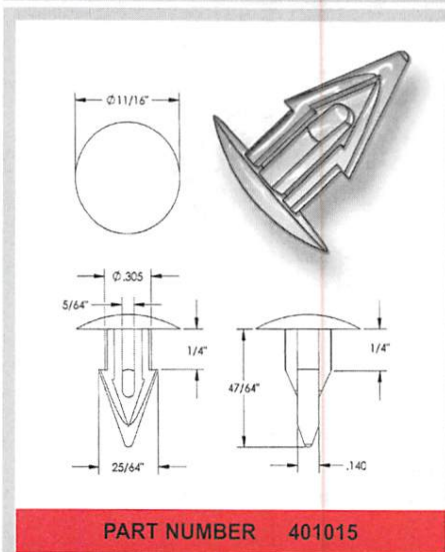
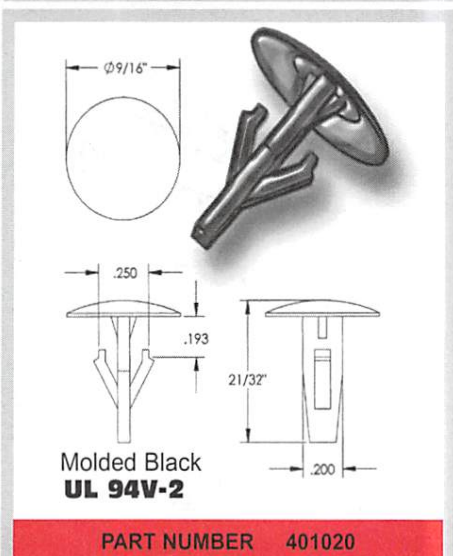
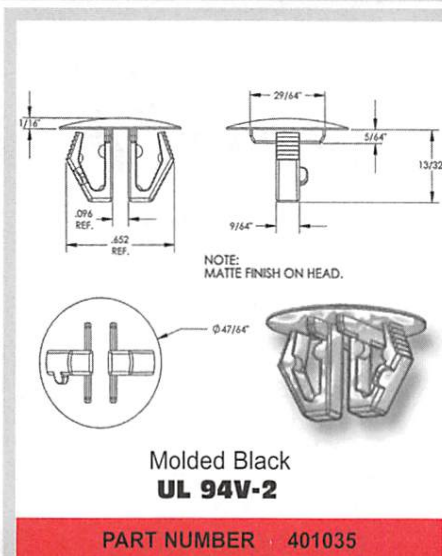
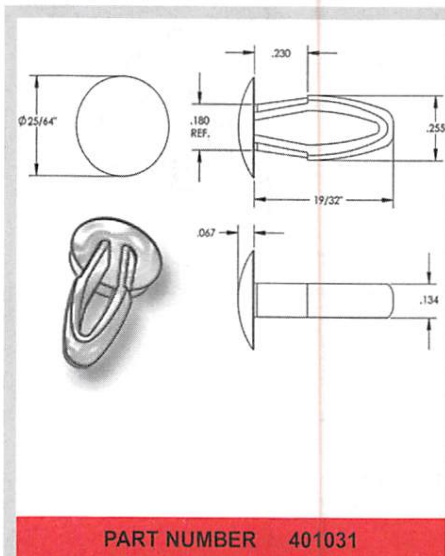
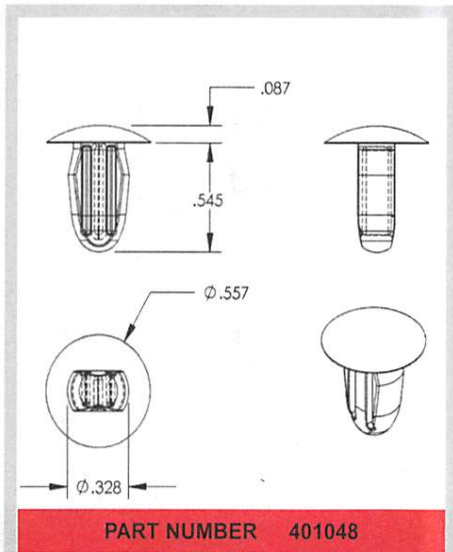
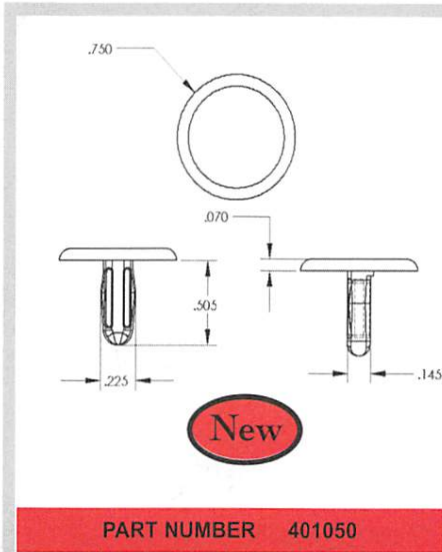
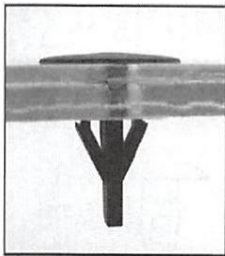
SECTION VI

"SPECIAL ITEMS" ARROW CLIPS

Molded in **Natural Nylon 6/6**
part numbers **401020 & 401035** molded **Black**.

Micro Plastics' Special Item Arrow Clips are designed to provide unique fasteners for assembly applications where larger panel thicknesses and or mounting diameters combined with increased fastening strength is required.

Molded from UL 94V-2 Nylon 6/6 for corrosion, abrasion and vibration resistance.



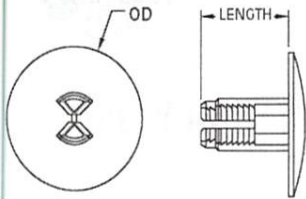
PANEL FASTENERS AND HOLE PLUGS

SECTION
VI

RATCHETING ACTION RIVETS

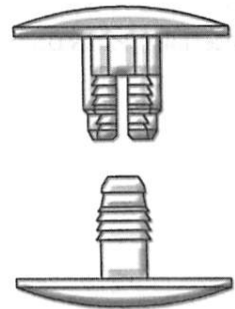
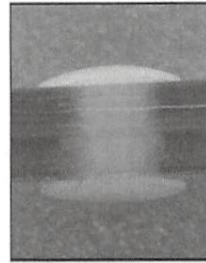
Molded in **Natural Nylon 6/6**

Ratcheting action rivets feature a rigid design which provides an outstanding bond created by the action of the interlocking gripper teeth. With the larger head diameter, Ratcheting action rivets make binding of soft materials a simple application.



- RATCHETING ACTION RIVETS ARE MOLDED IN NYLON 6/6 AND AVAILABLE IN BLACK OR NATURAL.
- PLEASE ADD A COLOR CODE TO THE END OF EACH PART NUMBER IDENTIFYING YOUR COLOR CHOICE.
- CODE **B** = BLACK CODE **N** = NATURAL
- COMPLETE ASSEMBLY REQUIRES TWO PARTS. THEY SNAP INTO EACH OTHER, HOLDING FLAT PANELS TOGETHER.

**New
SIZES**

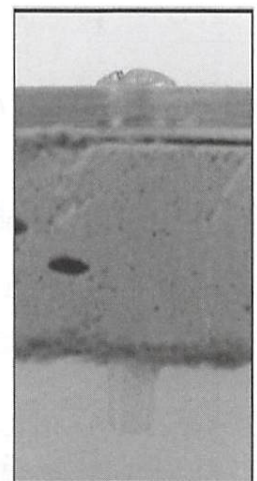
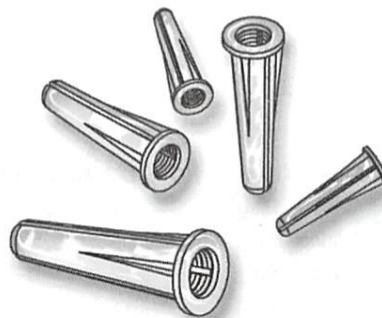
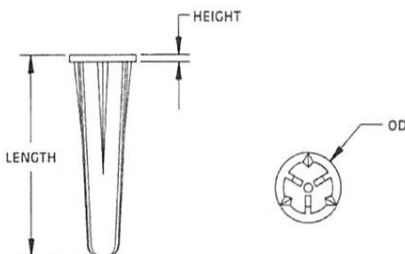


ITEM NUMBER	*REF. DIM. OD	*REF. DIM LENGTH	HOLE SIZE RND	PANEL THICKNESS	
27QB375250	3/8" (9,53)	7/32" (5,5)	1/4" (6,35)	.235/.297	(5,97/7,54)
27QB375375	3/8" (9,53)	11/32" (8,73)	1/4" (6,35)	.346/.500	(8,79/12,70)
27QB375750	3/8" (9,53)	1/2" (12,70)	1/4" (6,35)	.500/.812	(12,70/20,62)
27QB371000	3/8" (9,53)	3/4" (19,05)	1/4" (6,35)	.780/1.375	(19,81/34,93)
27QB400250	.406 (10,31)	7/32" (5,5)	9/32" (7,14)	.235/.297	(5,97/7,54)
27QB400375	.406 (10,31)	11/32" (8,73)	9/32" (7,14)	.346/.500	(8,79/12,70)
27QB400750	.406 (10,31)	1/2" (12,70)	9/32" (7,14)	.500/.812	(12,70/20,62)
27QB401000	.406 (10,31)	3/4" (19,05)	9/32" (7,14)	.780/1.375	(19,81/34,93)
27QB625250	5/8" (15,88)	7/32" (5,5)	1/4" (6,35)	.235/.297	(5,97/7,54)
27QB625375	5/8" (15,88)	11/32" (8,73)	1/4" (6,35)	.346/.500	(8,79/12,70)
27QB625750	5/8" (15,88)	1/2" (12,70)	1/4" (6,35)	.500/.812	(12,70/20,62)
27QB621000	5/8" (15,88)	3/4" (19,05)	1/4" (6,35)	.780/1.375	(19,81/34,93)
27QB700250	3/4" (19,05)	7/32" (5,5)	9/32" (7,14)	.235/.297	(5,97/7,54)
27QB700375A	1" (25,40)	.343 (8,71)	.281 (7,13)	.346/.500	(8,78/12,70)
27QB700375	3/4" (19,05)	11/32" (8,73)	9/32" (7,14)	.346/.500	(8,79/12,70)
27QB700750	3/4" (19,05)	1/2" (12,70)	9/32" (7,14)	.500/.812	(12,70/20,62)
27QB701000	3/4" (19,05)	3/4" (19,05)	9/32" (7,14)	.780/1.375	(19,81/34,93)
27QB1300600	1 3/8 (34,93)	7/16 (11,10)	7/16 (11,10)	.437/.750	(11,10/19,05)

SCREW ANCHORS

Molded in **Natural Nylon 6/6**

Multi-use, light duty Nylon Anchor for use with sheet metal or wood screws. Nylon Anchors can be used in wood, masonry block, concrete, tile, brick or sheet metal. Anchor has twist resisting flange for use in thin wall and hollow materials. Anchors can be color coded for size identification. Metal screw not included.



ITEM NUMBER	SCREW SIZE	HOLE SIZE RND	OD	HEIGHT	LENGTH
61WA210875	#6-8	3/16 (4,76)	5/16 (7,94)	.037 (0,94)	7/8 (22,22)
61WA281700	#10-12	1/4 (6,35)	3/8 (9,53)	.037 (0,94)	1-5/64 (27,38)
61WA351385	#14-16	5/16 (7,94)	7/16 (11,11)	.037 (0,94)	1 3/8 (31,93)

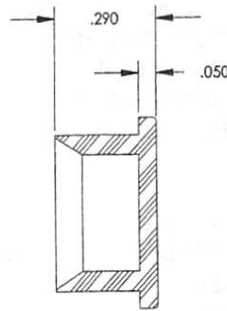
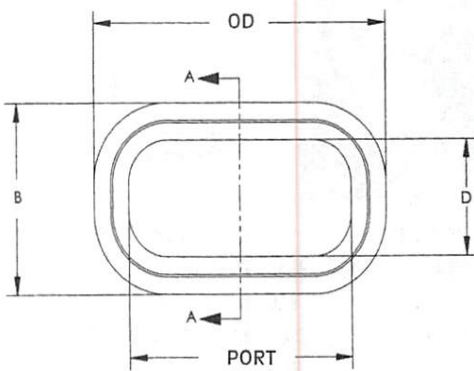
PANEL FASTENERS AND HOLE PLUGS

SECTION VI

PORT COVER

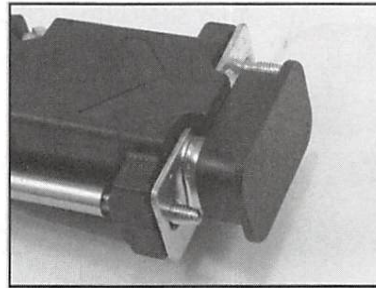
Molded in **Black Polyethylene**

Micro Plastics port covers are available in black Polyethylene. Used to cover 15 pin female or 9 pin male comm and video ports to prevent damage from foreign materials. Parts do not have to be oriented to angled side of wall of port.



Watch Instructional Video

[mms://www.microplastics.com/productvideos/PortCover.asf](https://www.microplastics.com/productvideos/PortCover.asf)

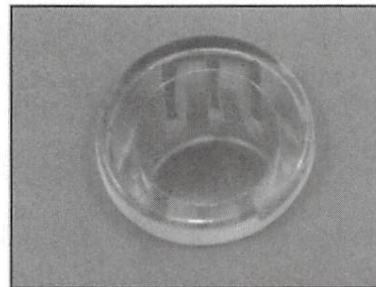
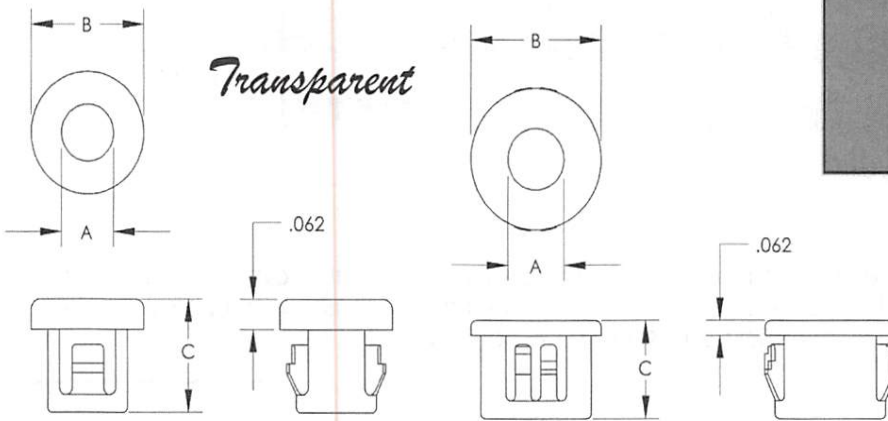


PART NUMBER	DESCRIPTION	OD	B	PORT	D
62PC0009	9 PIN <u>Male</u> Port Cover BLACK	.850 (2,16)	.550 (14,0)	.690 (17,5)	.350 (8,89)
62PC0015	15 PIN <u>Female</u> Port Cover BLACK	.825 (21,0)	.488 (12,4)	.632 (16,1)	.297 (7,54)

WINDOW PLUGS

Molded in **Clear Copolyester**

WINDOW PLUGS are molded in Clear Copolyester material. The headstyle is flat to minimize distortion



STYLE "A"

STYLE "B"

ITEM NUMBER	DESCRIPTION	A HOLE DIAMETER RND	PANEL THICKNESS	B OD	C LENGTH	STYLE
* 62WP0187	3/16" Window Plug	.187 (4,8)	.062 (1,6)	.250 (6,4)	.234 (5,9)	A
* 62WP0250	1/4" Window Plug	.250 (6,4)	.062 (1,6)	.312 (8,0)	.312 (8,0)	A
* 62WP0312	5/16" Window Plug	.312 (8,0)	.062 (1,6)	.375 (9,5)	.312 (8,0)	A
* 62WP0375	3/8" Window Plug	.375 (9,5)	.125 (3,2)	.468 (12,0)	.406 (10,3)	B
* 62WP0437	7/16" Window Plug	.437 (11,0)	.125 (3,2)	.531 (13,5)	.406 (10,3)	B
* 62WP0500	1/2" Window Plug	.500 (12,7)	.125 (3,2)	.578 (14,6)	.406 (10,3)	B
62WP0625	5/8" Window Plug	.625 (15,9)	.125 (3,2)	.718 (18,2)	.406 (10,3)	B

* MINIMUM ORDER QUANTITY 1,000 PIECES